

**SACC-DSI-M12MS-4CON-M16/0,5**

Order No.: 1419629



Sensor/actuator flush-type connector, 4-pos., M12 SPEEDCON, rear/  
screw mounting with M16 thread, with 0.5 m TPE litz wire, 4 x 0.34  
mm<sup>2</sup>

**Commercial data**

GTIN (EAN)	4046356533478
Note	Made-to-order
sales group	D125
Pack	1 pcs.
Customs tariff	85444290
Weight/Piece	0.0235 KG
Catalog page information	Page 107 (NTK-2010)

**Product notes**

WEEE/RoHS-compliant since:  
02/25/2010



[http://  
www.download.phoenixcontact.com](http://www.download.phoenixcontact.com)  
Please note that the data given  
here has been taken from the  
online catalog. For comprehensive  
information and data, please refer  
to the user documentation. The  
General Terms and Conditions of  
Use apply to Internet downloads.

**Technical data****General data**

Rated current at 40°C	4 A
Rated voltage	250 V
Number of positions	4
Volume resistance	≤ 3 mΩ

---

Insulation resistance	$\geq 100 \text{ M}\Omega$
Length of cable	0.5 m

### General characteristics

Standards/regulations	M12 male connector IEC 61076-2-101
Coding	A - standard
Surge voltage category	II
Pollution degree	3
Degree of protection	IP67
Contact material	CuZn
Contact surface material	Au
Contact carrier material	PA 66
Material, knurls	Zinc die-cast, (nickel-plated)
Sealing material	NBR
Mounting type	Rear mounting M16 x 1.5 With flat nut
Type of connection	Individual wires
Status display	No

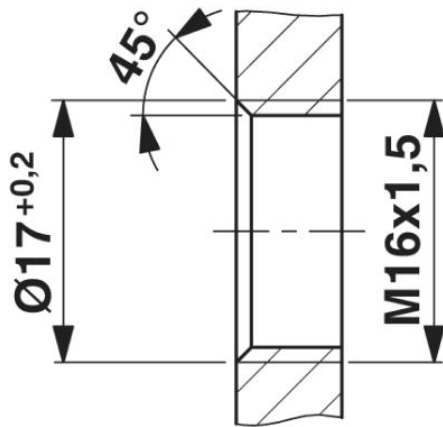
### Conductor data

Cable type	TPE litz wire
Conductor cross section	$0.34 \text{ mm}^2$
AWG signal line	22
Core diameter including insulation	$1.2 \text{ mm} \pm 0.07 \text{ mm}$
Thickness, insulation	0.21 mm
Wire colors	Black, brown, blue, white
Insulation resistance	$\geq 20 \text{ M}\Omega \cdot \text{km}$
Conductor resistance	$\leq 57.6 \text{ m}\Omega/\text{m}$
Nominal voltage, conductor	300 V
Test voltage, conductor	2000 V AC
Conductor material	Tin-plated Cu litz wires

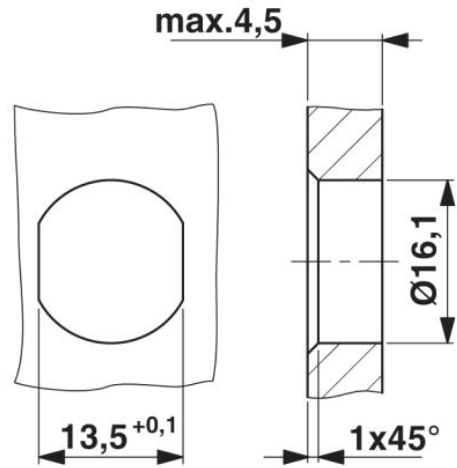
---

## Diagrams/Drawings

### Dimensioned drawing

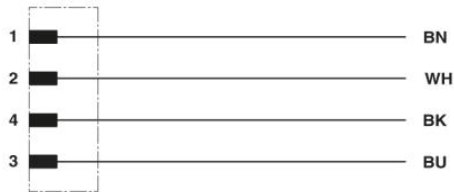


Housing cutout for M16 fastening thread, mounting panel with thread



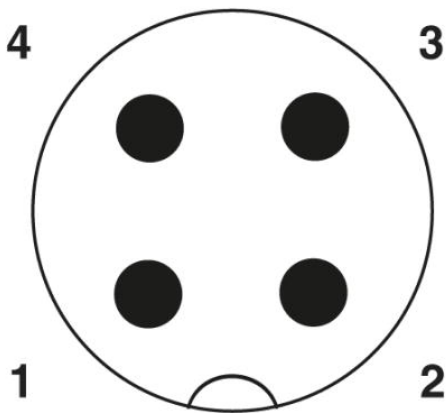
Housing cutout for M16 fastening thread, mounting panel with feed-through hole (alternatively with surface as protection against rotation)

### Circuit diagram



Contact assignment of the M12 plug and the M12 socket

### Schematic diagram



Pin assignment of M12 male connector, 4-pos., A-encoded, view

---

**Address**

PHOENIX CONTACT Ltd  
Halesfield 13  
Telford Shropshire TF7 4PG,GB  
Phone 01952 681 700  
Fax 01952 681 799  
<http://www.phoenixcontact.co.uk>



© 2010 Phoenix Contact  
Technical modifications reserved;

---