

16 SERIES (Type 160) MOULDED CASE CURRENT TRANSFORMERS WOUND PRIMARY RANGE

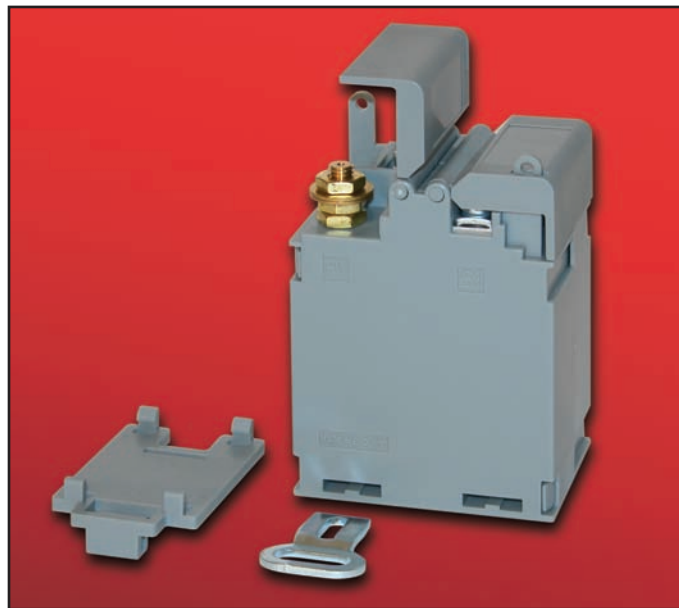
HOBUT

DESCRIPTION

A range of compact low cost moulded case current transformers suitable for primary currents from 1A to 50A with built in terminal covers and M6 screw terminals for primary current connection.

APPLICATION

For transforming various primary currents into 5A or 1A standard secondary.



FEATURES

- Built in sealable terminal covers.
- Mounting feet supplied.
- DIN rail mounting clip supplied.
- Narrow width - 60mm.

TECHNICAL SPECIFICATION

- Conforms to IEC 185, BS 7626, BSEN 60044-1 and IEC 60044-1.
- Rated system voltage 0.72/3kV.
- Ambient temperature range -30°C to 85°C.
- Continuous current 1.2 x rated current.

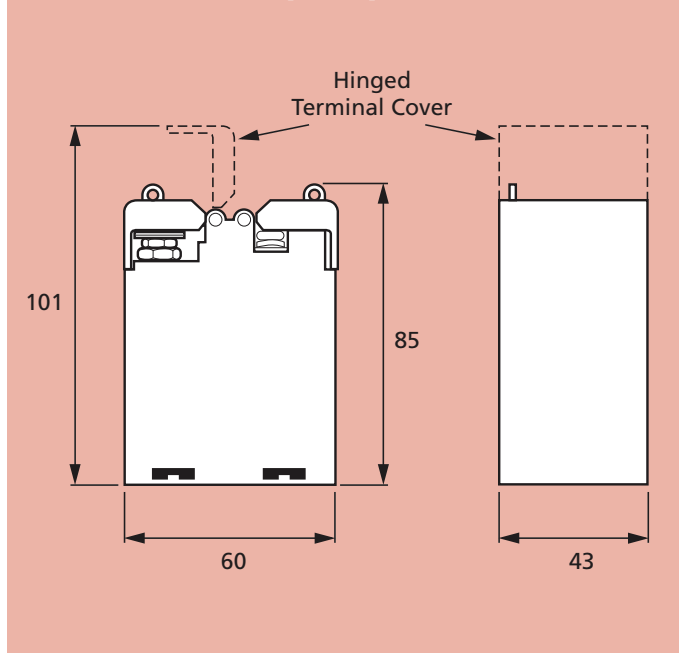
RANGE

VA	Class 3		5A Secondary Class 1	
	2.5	5	2.5	5
1/5	A3	A4	A7	A8
2.5/5	B3	B4	B7	B8
5/5	C3	C4	C7	C8
7.5/5	D3	D4	D7	D8
8/5	E3	E4	E7	E8
10/5	F3	F4	F7	F8
15/5	G3	G4	G7	G8
20/5	H3	H4	H7	H8
25/5	J3	J4	J7	J8
30/5	K3	K2	K7	K8
40/5	L3	L4	L7	L8
50/5	M3	M4	M7	M8

1A secondary available by request.
Other accuracies and VAs available by request.

Order Example: A 16 series Type 160 wound primary current transformer with 5A secondary and 30A primary 5VA class 1 is part number 160-5-K8

DIMENSIONS (mm)



Our policy is one of continuous development and therefore specifications may change without notice.

HOWARD BUTLER LTD

CROWN WORKS, LINCOLN ROAD
WALSALL WS1 2EB ENGLAND

Tel: 01922 640003 Fax: 01922 723626
International Tel: +44 1922 640003 E-mail: sales@hobut.co.uk
<http://www.hobut.co.uk>