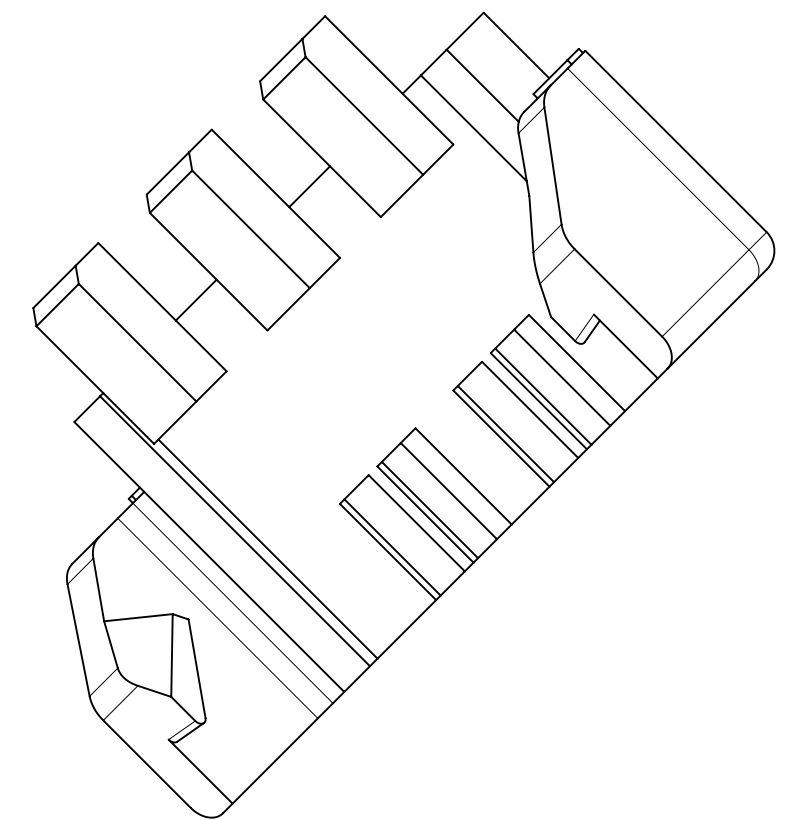
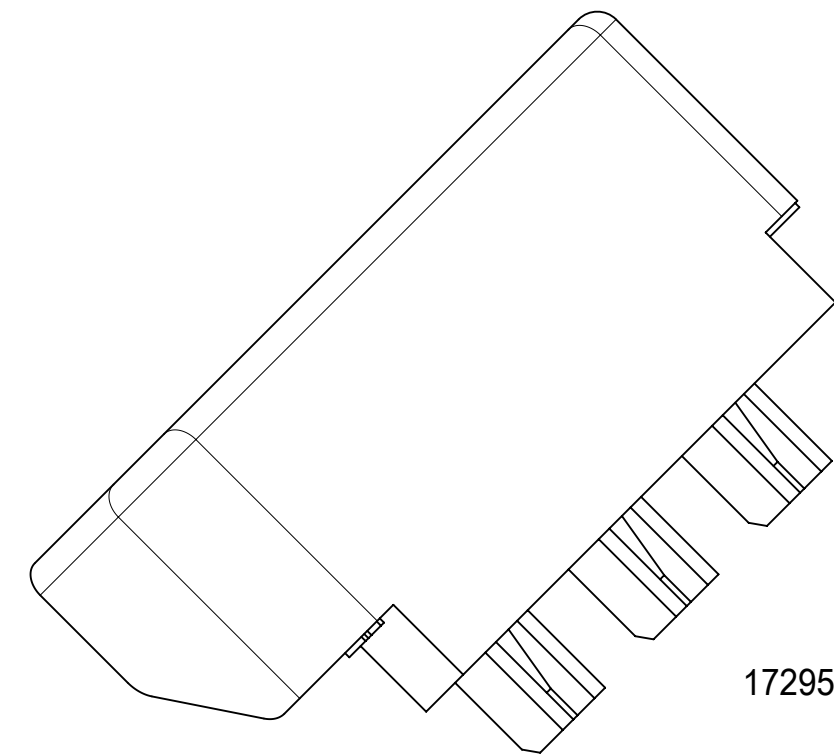
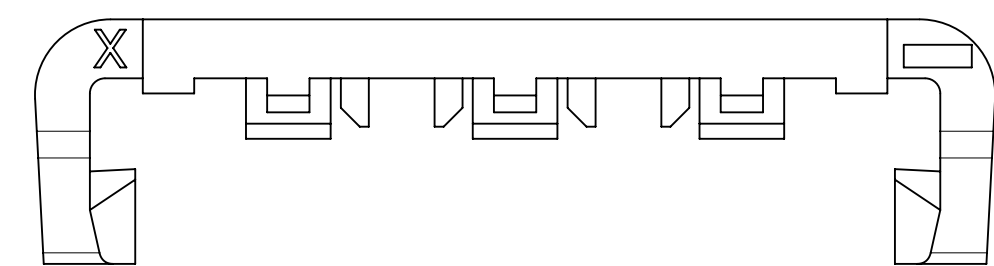
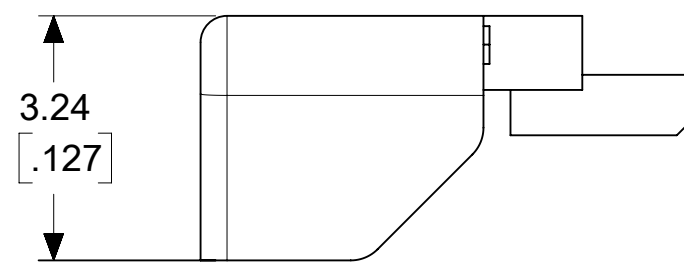
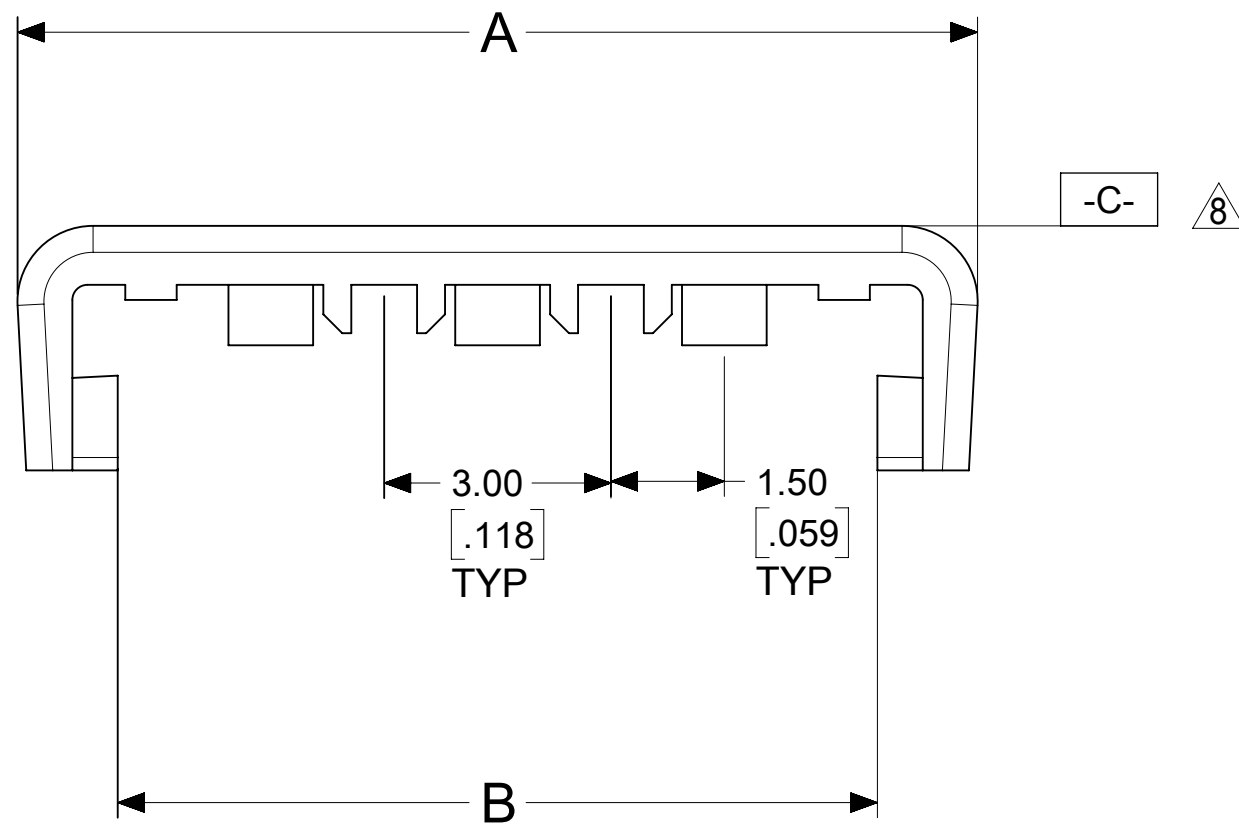


- NOTES:
- 1) MATERIAL:
UNFILLED NYLON, RATED UL94V-0 LOW HALOGEN, COLOR: NATURAL
 - 2) FINISH: NONE
 - 3) PRODUCT SPECIFICATION: PS-43045
 - 4) PACKAGING SPECIFICATION: BULK PER 1729530001-PK
 - 5) FOR USE WITH: 172952-XX01 RECEPTACLE OR 203632-XX0X PLUG HOUSINGS. NEVER USE WITHOUT TPA.
 - 6) THIS PART CONFORMS TO CLASS B REQUIREMENTS OF COSMETIC SPEC PS-45499-002
 - 7) TEXT ON PART IS FOR REFERENCE ONLY. TEXT AND TEXT LOCATION MAY VARY
 - 8 BOW 0.38 / .015 MAX PER 25.4 / 1.00 ON SURFACE C
 - 9 CIRCUIT SIZE INDICATES THE SIZE OF THE MATCHING DUAL-ROW HOUSING.
TWO TPA STRAPS ARE REQUIRED FOR EACH HOUSING.
 - 10) SEE SD-172952-001 (RECEPTACLE) OR 2036320000-SD (PLUG) FOR INSTALLATION INSTRUCTIONS.



24	172953-2401	39.70 / 1.563	37.05 / 1.459
22	172953-2201	36.70 / 1.445	34.05 / 1.341
20	172953-2001	33.70 / 1.327	31.05 / 1.222
18	172953-1801	30.70 / 1.209	28.05 / 1.104
16	172953-1601	27.70 / 1.091	25.05 / .986
14	172953-1401	24.70 / .973	22.05 / .868
12	172953-1201	21.70 / .854	19.05 / .750
10	172953-1001	18.70 / .736	16.05 / .632
8	172953-0801	15.70 / .618	13.05 / .514
6	172953-0601	12.70 / .500	10.05 / .396
4	172953-0401	9.70 / .382	7.05 / .278

CKT SZ.	△	PART NUMBER	DIM ±0.51 A ±.020	DIM ±0.38 B ±.015
---------	---	-------------	----------------------	----------------------

DOCUMENT STATUS	P1	RELEASE DATE	2018/09/20	15:49:06
-----------------	----	--------------	------------	----------

SYMBOLS	THIS DRAWING CONTAINS INFORMATION THAT IS PROPRIETARY TO MOLEX ELECTRONIC TECHNOLOGIES, LLC AND SHOULD NOT BE USED WITHOUT WRITTEN PERMISSION			
	DIMENSION UNITS	SCALE	CURRENT REV DESC: NOTE 5	
▽ = 0	MM/IN	10:1	EC NO: 602458 DRWN: BANDERSON 2015/01/13 APPR: BPISZCZOR 2016/03/24	
▽ = 0	GENERAL TOLERANCES (UNLESS SPECIFIED)			
▽ = 0		MM	INCH	EC NO: 602458 DRWN: SALHAMY 2018/07/19 CHK'D: SSOUSEK 2018/09/12 APPR: FSMITH 2018/09/20
▽ = 0	4 PLACES	±	±	
▽ = 0	3 PLACES	±	± 0.01	INITIAL REVISION: DRWN: BANDERSON 2015/01/13 APPR: BPISZCZOR 2016/03/24
▽ = 0	2 PLACES	± 0.25	± 0.015	
▽ = 0	1 PLACE	± 0.38	±	SERIES 172953
▽ = 0	0 PLACES	±	±	
▽ = 0	ANGULAR TOL	± 0.5 °		MATERIAL NUMBER SEE CHART
▽ = 0	DRAFT WHERE APPLICABLE MUST REMAIN WITHIN DIMENSIONS		THIRD ANGLE PROJECTION	
▽ = 0			DRAWING	CUSTOMER GENERAL MARKET
			C-SIZE	SHEET NUMBER 1 OF 1

molex

MICRO-FIT DUAL ROW TPA STRAP FOR RECEPTACLE AND PLUG HOUSINGS

PRODUCT CUSTOMER DRAWING

DOCUMENT NUMBER	DOC TYPE	DOC PART	REVISION
SD-172953-001	PSD	001	A3

MATERIAL NUMBER	CUSTOMER	SHEET NUMBER
SEE CHART	GENERAL MARKET	1 OF 1