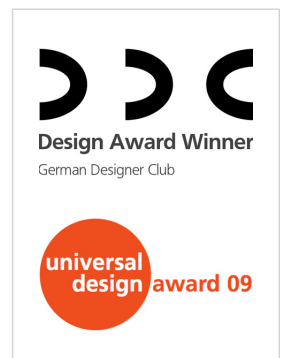
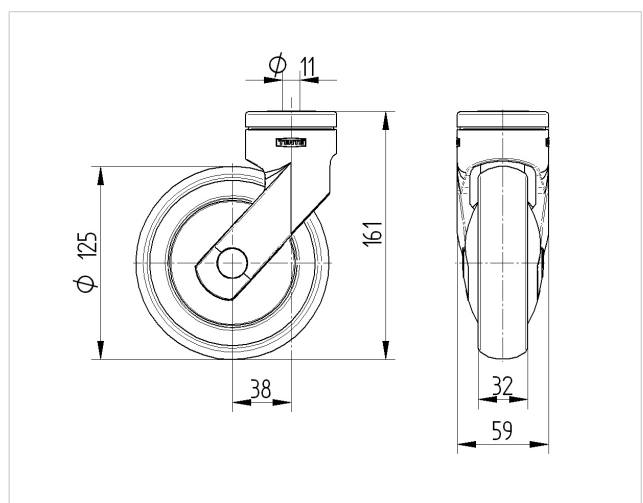


## LEVINA 5370PJP125P30-11

Swivel castor, housing and wheels made from high grade synthetic materials, double ball bearing swivel head. Wheel centre made of Polypropylene, Tread: TENTEprene (thermoplastic rubber), grey non-marking, precision ball bearing, bolt hole

Technical Data	
Wheel diameter	125 mm
Width of Tread	32 mm
Centre hole	11 mm
Offset	38 mm
Swivel Interference	201 mm
Overall height	161 mm
Temperature	- 20 / + 60 °C
Standard	EN 12530
Dynamic Load capacity	100 kg
Static Load capacity	200 kg
Swivel Radius	100.5 mm
Hardness of tread	A 87 Shore

Roll performance	+	+	+	+	+
Movement noise	+	+	+	+	+
Attrition	+	+	+	+	+
Corrosion resistance	+	+	+	+	+



# Product Information



## LEVINA 5370PJP125P30-11

