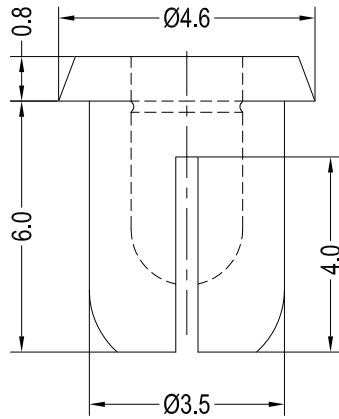


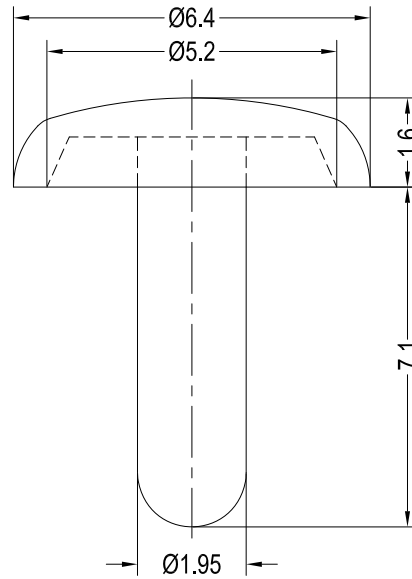
DO NOT SCALE DRAWING

REVISIONS				
ZONE	REV.	DESCRIPTION	DATE	APPROVED
	A	DRAWN	12-02-2015	

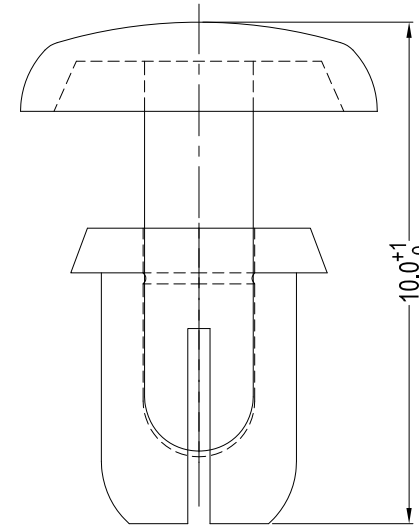
Body



Pin



Assembly



NOTES :

ALSO AVAILABLE IN FLAME RETARDANT NYLON ( PA6 UL94V-0 )  
 Hole:Ø3.6-3.7mm; Panel Thickness:3.7-4.6mm



UNLESS OTHERWISE SPECIFIED:  
 DIMENSIONS ARE IN MILLIMETERS.  
 SURFACE FINISH:  
 TOLERANCES:  
 L≤4 = ±0.1 4<L≤15 = ±0.2  
 15<L≤50 = ±0.3 50<L≤100 = ±0.4

	NAME	DATE
DRAWN	MARTIN ELLIOTT	12/02/2015
CHK'D		
APPV'D		

MATERIAL  
 PA6 UL94V-2 RoHS COMPLIANT

HEAT TREATMENT  
 N/A

FINISH  
 BLACK OR WHITE

TITLE  
 SNAP RIVET

CUSTOMER PART NO.

DWG NO.  
 TRSR3560

A3