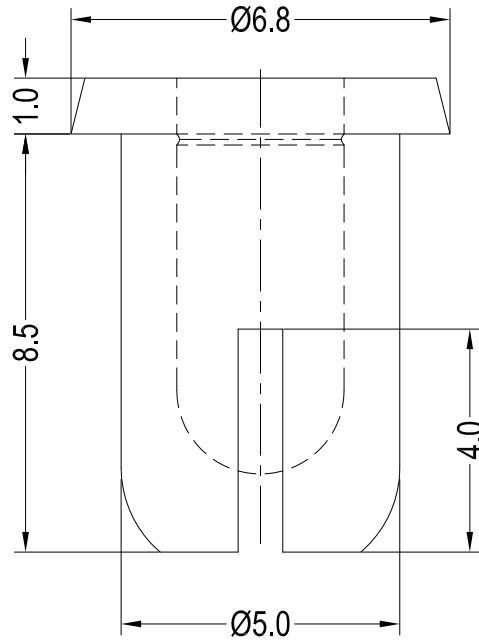


DO NOT SCALE DRAWING

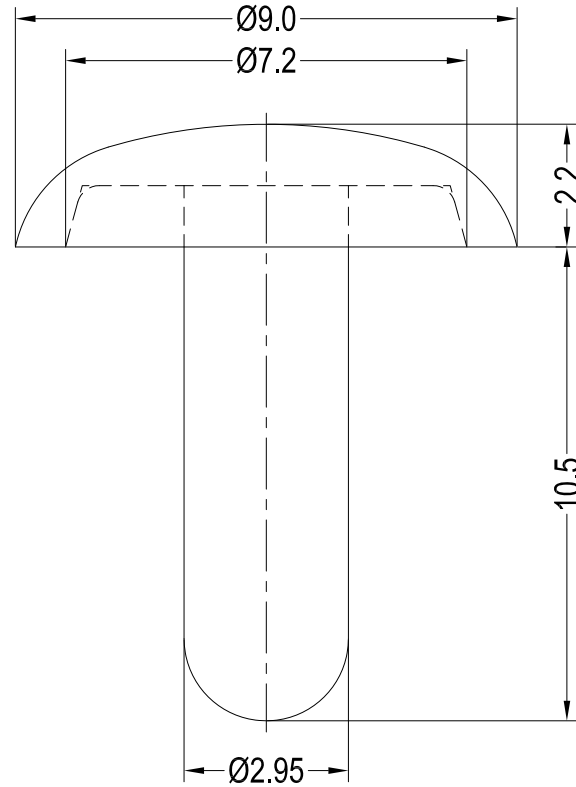
REVISIONS

ZONE	REV.	DESCRIPTION	DATE	APPROVED
	A	DRAWN	12-02-2015	

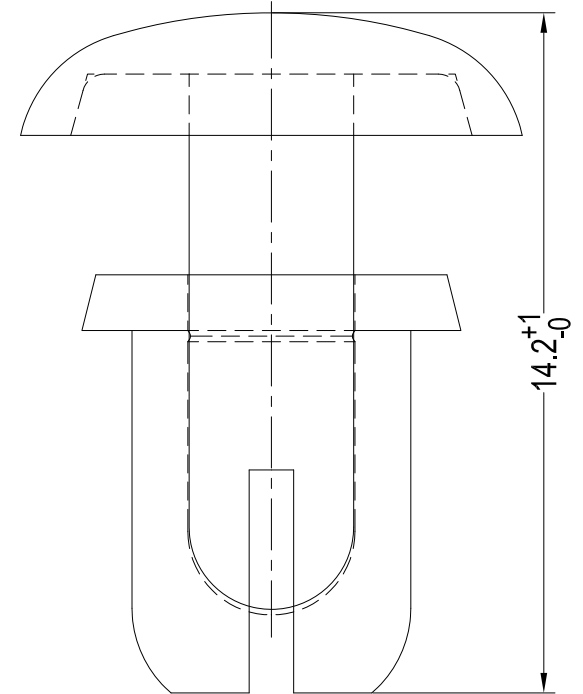
Body



Pin



Assembly



NOTES :

ALSO AVAILABLE IN FLAME RETARDANT NYLON (PA6 UL94V-0)
 Hole:Ø5.1-5.2mm; Panel Thickness:5.5-6.5mm



UNLESS OTHERWISE SPECIFIED:
 DIMENSIONS ARE IN MILLIMETERS.
 SURFACE FINISH:
 TOLERANCES:
 L≤4 = ±0.1 4<L≤15 = ±0.2
 15<L≤50 = ±0.3 50<L≤100 = ±0.4

	NAME	DATE
DRAWN	MARTIN ELLIOTT	12/02/2015
CHK'D		
APP'VD		

MATERIAL
 PA6 UL94V-2 RoHS COMPLIANT

HEAT TREATMENT
 N/A

FINISH
 BLACK OR WHITE

TITLE
 SNAP RIVET

DWG NO.
 TRSR5085

A3

DESIGN RIGHT. TR FASTENINGS LTD. 2003
 UNDER NO CIRCUMSTANCES MUST THIS
 DRAWING BE COPIED OR DISCLOSED,
 WITHOUT FIRST OBTAINING WRITTEN
 AUTHORITY.

CUSTOMER PART NO.