

Customer Information Sheet

DRAWING No.: M50-310XX45

SHEET 3 OF 3

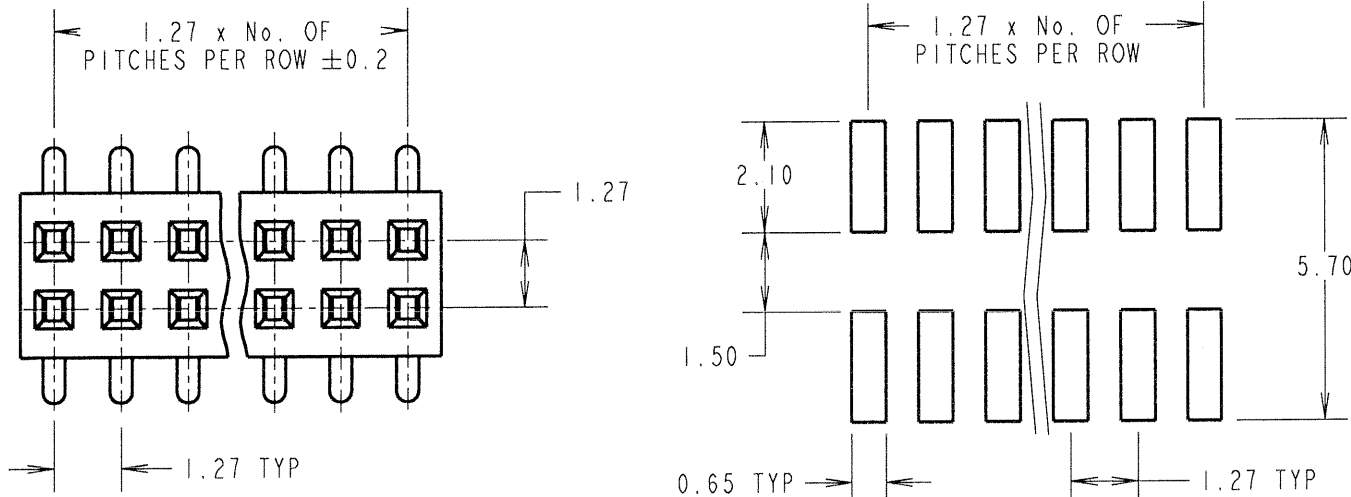
IF IN DOUBT - ASK

(C)

NOT TO SCALE

THIRD ANGLE PROJECTION

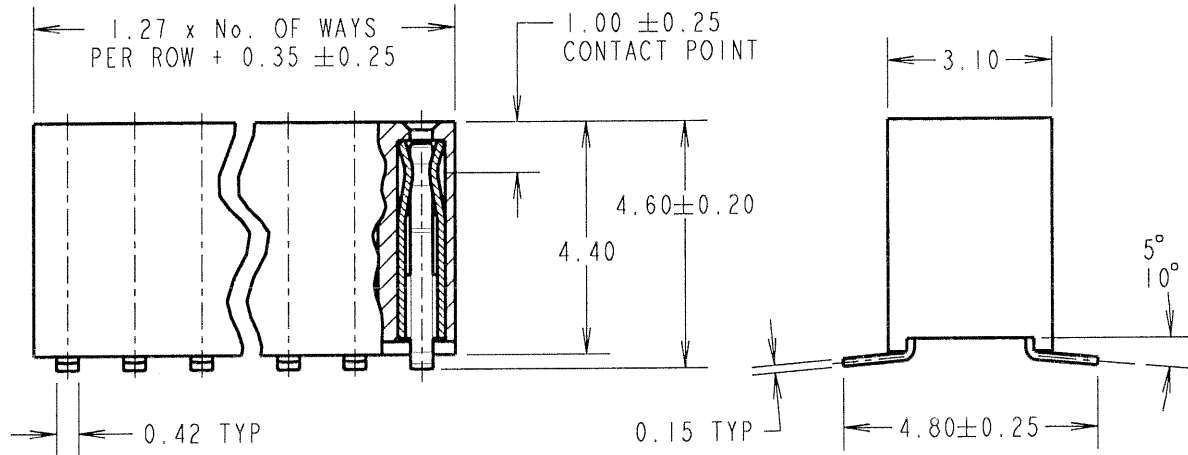
ALL DIMENSIONS IN mm



RECOMMENDED PCB LAYOUT
(TOLERANCE ± 0.05)

SPECIFICATIONS:

MATERIAL:
 MOULDING = NYLON 6T UL94V-0, BLACK
 CONTACT = PHOSPHOR BRONZE
FINISH:
 CONTACT = GOLD
ELECTRICAL:
 CURRENT RATING = 1A
 VOLTAGE PROOF = 500V AC FOR 1 MINUTE
 CONTACT RESISTANCE = 20 MILLIOHMS MAX
 INSULATION RESISTANCE = 5,000 MEGOHMS MIN
ENVIRONMENTAL:
 OPERATING TEMPERATURE = -40°C TO +105°C
PACKING:
 TUBE
 FOR COMPLETE SPECIFICATION, SEE COMPONENT SPECIFICATION C029XX (LATEST ISSUE)



NOTES:
 1. ALL TOLERANCES ARE ±0.12 UNLESS OTHERWISE STATED.

ORDER CODE:
M50-310XX45
 No. OF WAYS PER ROW
 03 TO 50
 FINISH: GOLD

| | | | |
|----------------|--------------------|----------|--------|
| JMB | 6 | 01.02.07 | 9684 |
| NAME | ISS. | DATE | C/NOTE |
| APPROVED: | <i>[Signature]</i> | | |
| CHECKED: | <i>[Signature]</i> | | |
| DRAWN: | J. ENRIGHT | | |
| CUSTOMER REF.: | | | |
| ASSEMBLY DRG: | | | |

HARWIN

| | | |
|--|--|---|
| HARWIN INC U.S.A. TEL: (812) 542 2540 FAX: (812) 542 2541 | HARWIN PLC U.K. TEL: 023 9231 4545 FAX: 023 9231 4590 | HARWIN PTE SINGAPORE TEL: 65 6779 4909 FAX: 65 6779 3868 |
|--|--|---|

THIS DRAWING AND ANY INFORMATION OR DESCRIPTIVE MATTER SET OUT HEREON ARE CONFIDENTIAL AND COPYRIGHT PROPERTY OF THE HARWIN GROUP AND MUST NOT BE DISCLOSED, LOANED, COPIED OR USED FOR MANUFACTURING, TENDERING OR FOR ANY OTHER PURPOSE WITHOUT THEIR WRITTEN PERMISSION.

TOLERANCES
~~X = ±1mm
 X.X = ±0.25mm
 X.XX = ±0.10mm
 X.XXX = ±0.01mm
 ANGLES = ±5°
 UNLESS STATED~~

MATERIAL:
 SEE ABOVE
FINISH: SEE ABOVE
S/AREA: mm²

TITLE:
 1.27mm PITCH DIL
 VERTICAL SMT SOCKET ASSY

DRAWING NUMBER:
M50-310XX45

SHT
 3
 OF 3