

MINIATURE PUSHBUTTON SWITCH

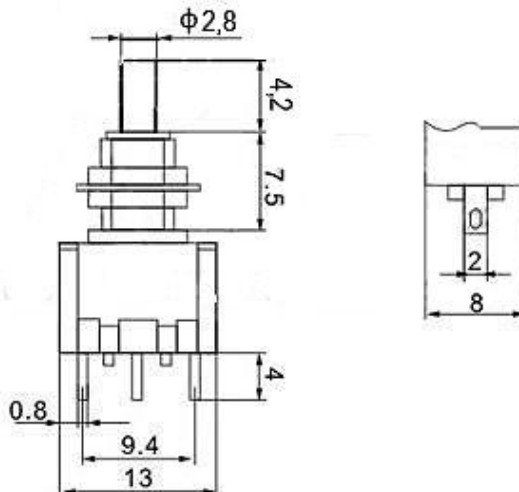
Q-10207

TYPE: **T701BTQYD**

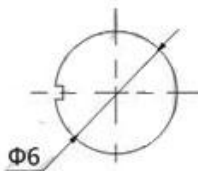
SPECIFICATIONS

Function: SPDT
Rating: 2A 250V AC
Contact R: 20mΩ max
Insulation R: 500V DC 100MΩ min
Dielectric Strength: 1 Minute 1500V AC
Operating Temperature: -55°C ~ +85°C
Electrical Life: 10, 000 Cycles

Outline Drawing



Mounting



Circuitry

