

# Customer Information Sheet

DRAWING No.: G125-964XX00

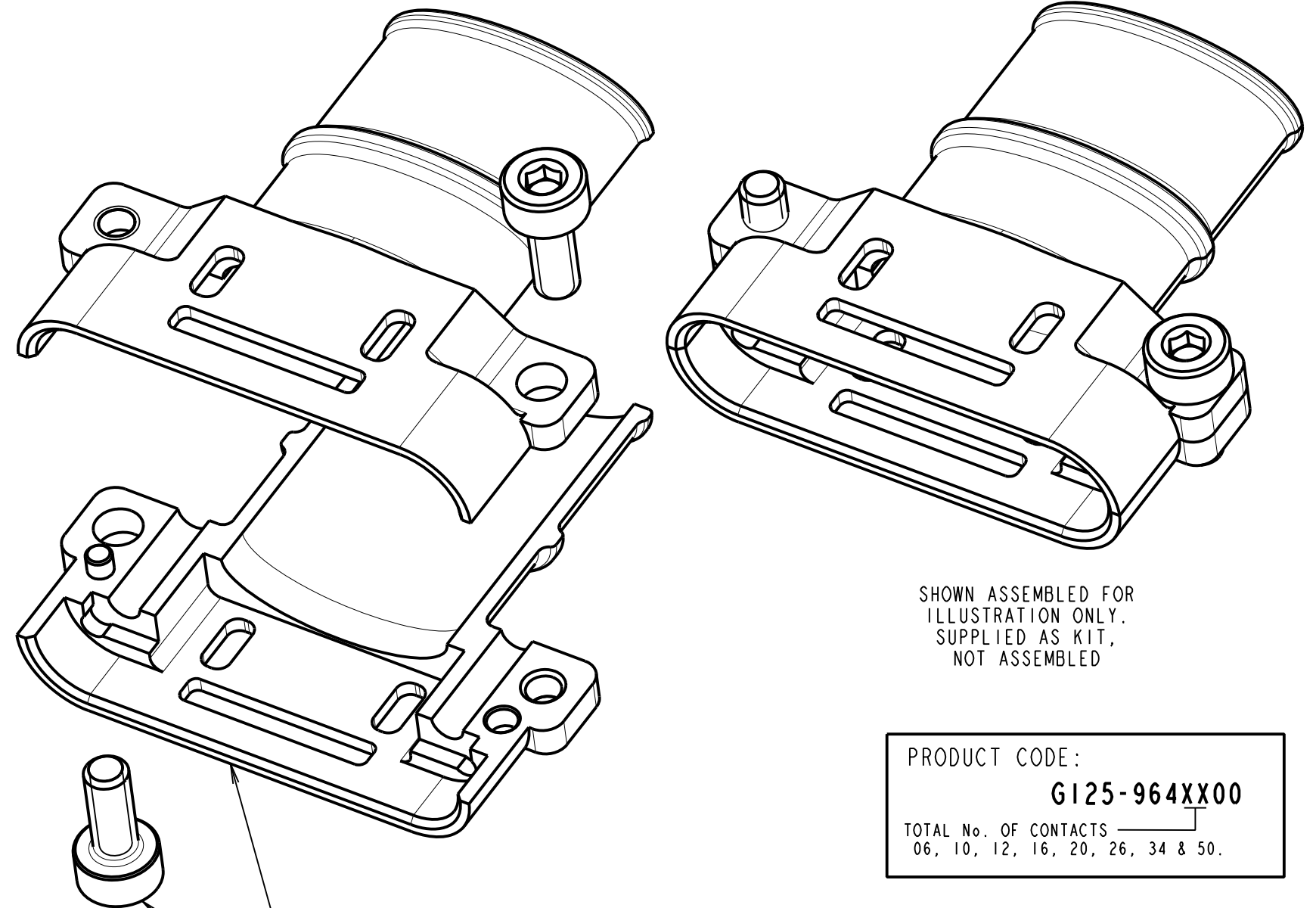
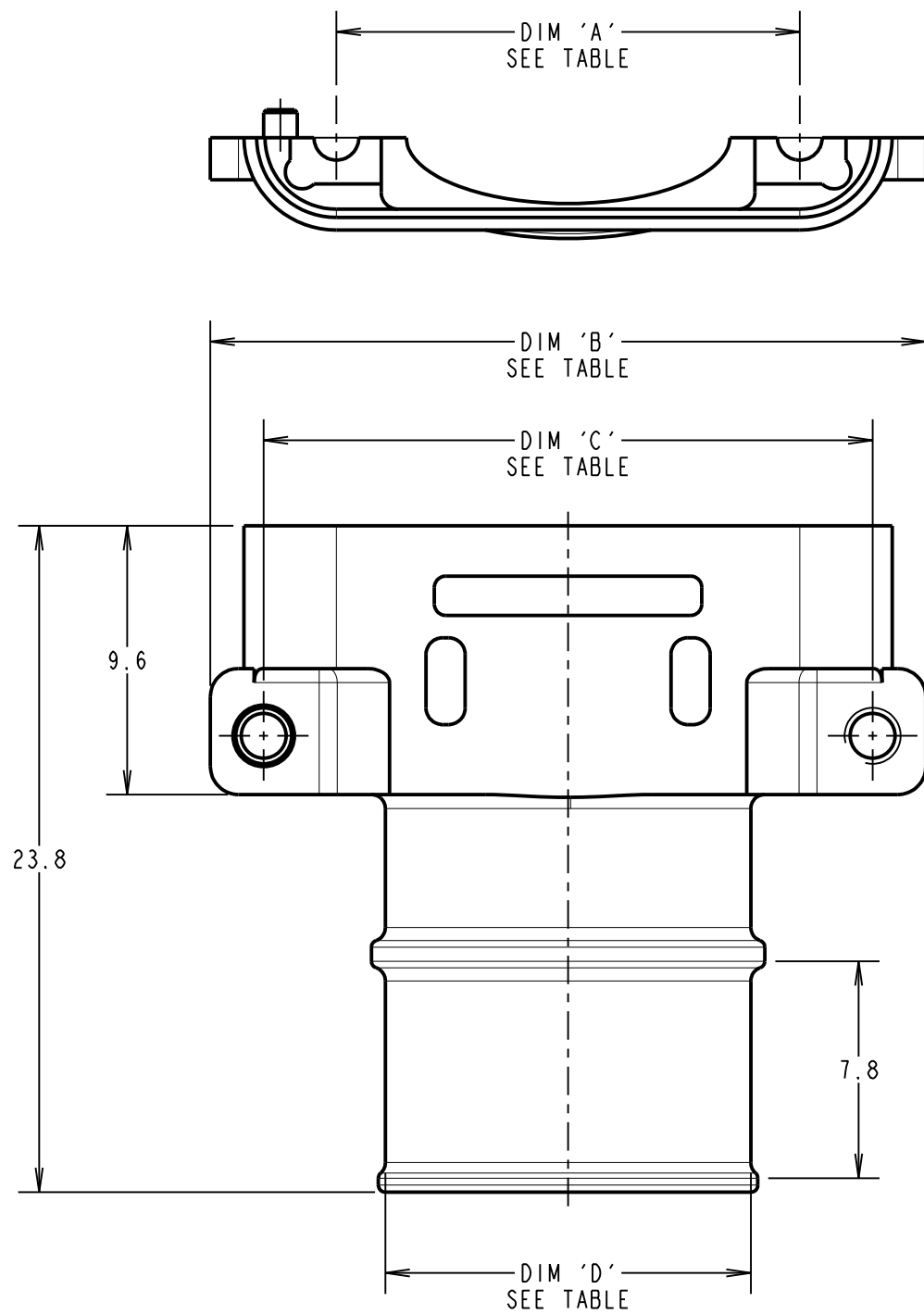
IF IN DOUBT - ASK

©

NOT TO SCALE

THIRD ANGLE PROJECTION

ALL DIMENSIONS IN mm



SHOWN ASSEMBLED FOR ILLUSTRATION ONLY. SUPPLIED AS KIT, NOT ASSEMBLED

PRODUCT CODE:  
**G125-964XX00**  
TOTAL No. OF CONTACTS \_\_\_\_\_  
06, 10, 12, 16, 20, 26, 34 & 50.

M2 SOCKET CAP HOOD RETAINING SCREW (2-OFF)  
PAIR OF METAL SHELLS (1-OFF)

SPECIFICATION:  
MATERIAL:  
HOOD SHELL = ALUMINIUM  
SCREWS = STAINLESS STEEL  
FINISH:  
HOOD SHELL = NICKEL

NOTES:  
1. SUPPLIED AS A KIT OF PARTS TO BE ASSEMBLED TO G125-324XX96MI SERIES OF CONNECTORS.  
2. FOR BAND-IT TIE, ORDER M80-9470000 OR M80-9480000 SEPERATELY. SEE INDIVIDUAL DRAWINGS FOR DETAILS.

| PART NUMBER  | DIM 'A' | DIM 'B' | DIM 'C' | DIM 'D' |
|--------------|---------|---------|---------|---------|
| G125-9640600 | 10.30   | 19.30   | 15.50   | 6.80    |
| G125-9641000 | 12.80   | 21.80   | 18.00   | 9.30    |
| G125-9641200 | 14.05   | 23.05   | 19.25   | 10.55   |
| G125-9641600 | 16.55   | 25.55   | 21.75   | 13.05   |
| G125-9642000 | 19.05   | 28.05   | 24.25   | 15.55   |
| G125-9642600 | 22.80   | 31.80   | 28.00   | 19.30   |
| G125-9643400 | 27.80   | 36.80   | 33.00   | 24.30   |
| G125-9645000 | 37.80   | 46.80   | 43.00   | 34.30   |

|                       |      |          |        |
|-----------------------|------|----------|--------|
| MGP                   | 2    | 15.01.20 | 22207  |
| NAME                  | ISS. | DATE     | C/NOTE |
| APPROVED:             |      | MGP      |        |
| CHECKED:              |      | SB       |        |
| DRAWN: MARK G PLESTED |      |          |        |
| CUSTOMER REF.:        |      |          |        |
| ASSEMBLY DRG:         |      |          |        |

**HARWIN**  
www.harwin.com  
technical@harwin.com

THIS DRAWING AND ANY INFORMATION OR DESCRIPTIVE MATTER SET OUT HEREON ARE CONFIDENTIAL AND COPYRIGHT PROPERTY OF THE HARWIN GROUP AND MUST NOT BE DISCLOSED, LOANED, COPIED OR USED FOR MANUFACTURING, TENDERING OR FOR ANY OTHER PURPOSE WITHOUT THEIR WRITTEN PERMISSION.

TOLERANCES  
X. = ±1mm  
X.X = ±0.50mm  
X.XX = ±0.20mm  
X.XXX = ±0.01mm  
ANGLES = ±5°  
UNLESS STATED

MATERIAL:  
SEE ABOVE  
FINISH: SEE ABOVE  
S/AREA: mm<sup>2</sup>

TITLE:  
G125 J-TEK SERIES HOOD KIT  
DRAWING NUMBER:  
**G125-964XX00**

SHT  
2 OF 2