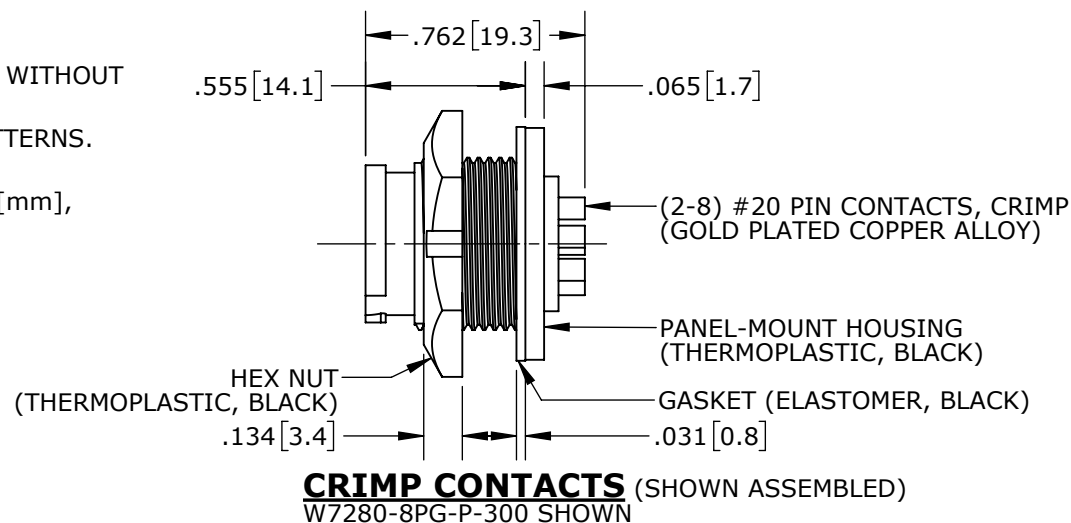


CUSTOMER PRINT

PART NUMBER: W728X-XPG-P-3XX_CD

- NOTES:
1. CRIMP CONTACTS SUPPLIED UNASSEMBLED AND WITHOUT EPOXY BACKING.
 2. REFER TO DRAWING HPMISTD FOR CONTACT PATTERNS.
 3. HEX-NUT TORQUE: 8-10 IN-LB.
 4. DIMENSIONS ARE REFERENCE ONLY, IN INCHES [mm], WITHIN ±0.015 UNLESS OTHERWISE NOTED.



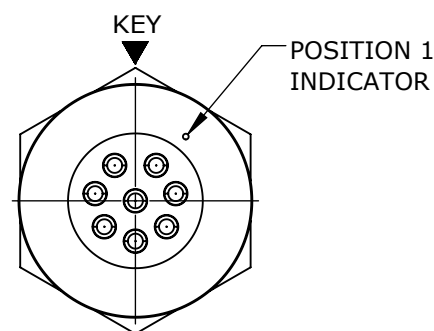
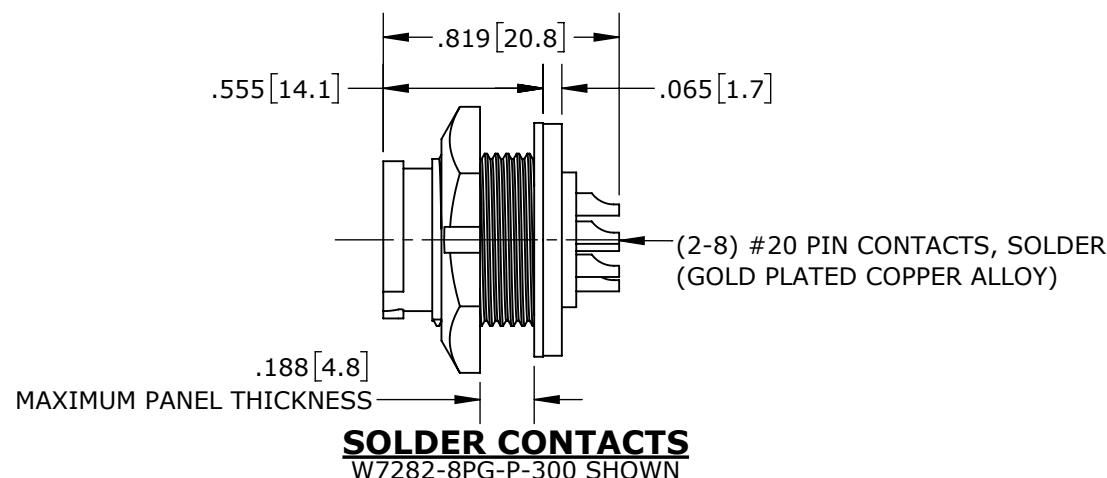
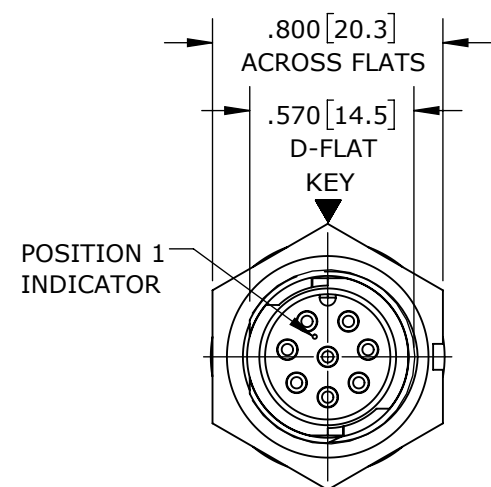
PANEL-MOUNT CONNECTOR PART NUMBERS:

W 7 2 8 X - X P G - P - 3XX

CONTACTS STYLE:
0 = CRIMP
2 = SOLDER
1 = PC TAIL

OF CONTACTS:
2-8 #20 PINS

EPOXY BACKING:
3ES = WITH EPOXY
300 = WITHOUT EPOXY

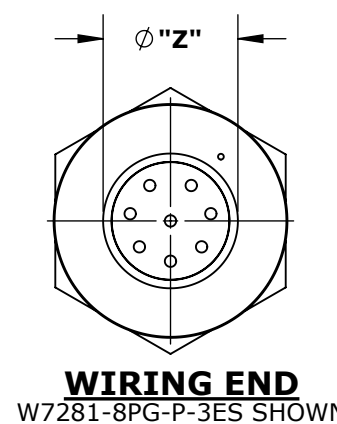
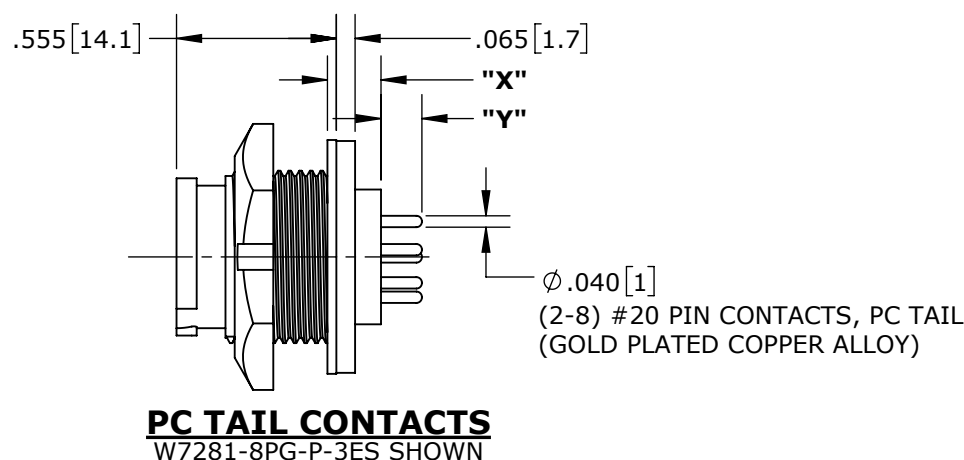
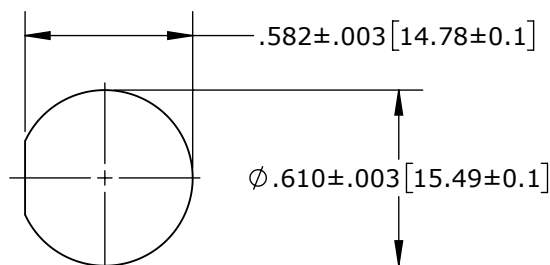


CUSTOMER APPROVAL

THIS DOCUMENT CONTAINS CONFIDENTIAL INFORMATION PROPRIETARY TO CONXALL CORPORATION. ANY REPRODUCTION, DISCLOSURE, OR USE OF THIS DOCUMENT / INFORMATION IS EXPRESSLY PROHIBITED UNLESS AUTHORIZED IN WRITING BY CONXALL CORPORATION.

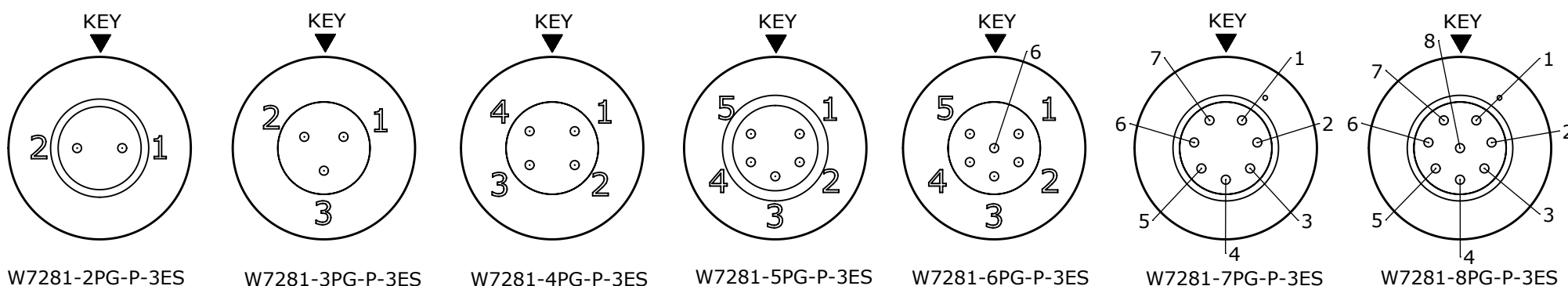
APPROVED BY: _____

DATE: _____



PC CONTACT CONNECTORS DIMENSIONING:

PART NUMBER	"X"	"Y"	"Z"
W7281-2PG-P-300	.126 [3.2]	.191 [4.9]	.372 [9.4]
W7281-3PG-P-300	.143 [3.6]	.174 [4.4]	.410 [10.4]
W7281-4PG-P-300			
W7281-5PG-P-300			
W7281-6PG-P-300	.146 [3.6]	.171 [4.3]	.468 [11.9]
W7281-7PG-P-300			
W7281-2PG-P-3ES	.184 [4.7]	.137 [3.5]	.435 [11]
W7281-3PG-P-3ES	.143 [3.6]	.174 [4.4]	.410 [10.4]
W7281-4PG-P-3ES			
W7281-5PG-P-3ES			
W7281-6PG-P-3ES	.186 [4.7]	.147 [3.7]	.468 [11.9]
W7281-7PG-P-3ES	.143 [3.6]	.174 [4.4]	.410 [10.4]
W7281-8PG-P-3ES			
W7281-8PG-P-3ES	.186 [4.7]	.142 [3.6]	.468 [11.9]



RoHS COMPLIANT

0A	PNK	01-12-18	PDR16014
REV.	INIT.	DATE	DESCRIPTION
<small>ALL INFORMATION ILLUSTRATED IS THE PROPERTY OF CONXALL CORPORATION. UNAUTHORIZED DUPLICATION OR DISTRIBUTION OF THIS DOCUMENT IS PROHIBITED.</small>			ORIG. DRAWN BY: PNK DATE: 01-12-18 CHECKED BY:
<small>ALL UNITS ARE IN FEET, INCHES, FRACTION OF INCHES AND DECIMALS.</small>			APPROVED BY:
SCALE: NTS SIZE: B SHEET: 1 OF 1		TITLE: PANEL-MOUNT CONNECTOR 2-8 #20 PIN CONTACTS INSTA-CLICK™ MINI-CON-X STANDARD PRODUCT	
FILE:	DIRECTORY:	PART NUMBER:	REV
W728X-XPG-P-3XX_CD	SLW	W728X-XPG-P-3XX	0A