

THIS DRAWING IS UNPUBLISHED.

RELEASED FOR PUBLICATION

© COPYRIGHT- BY TYCO ELECTRONICS CORPORATION. ALL RIGHTS RESERVED.

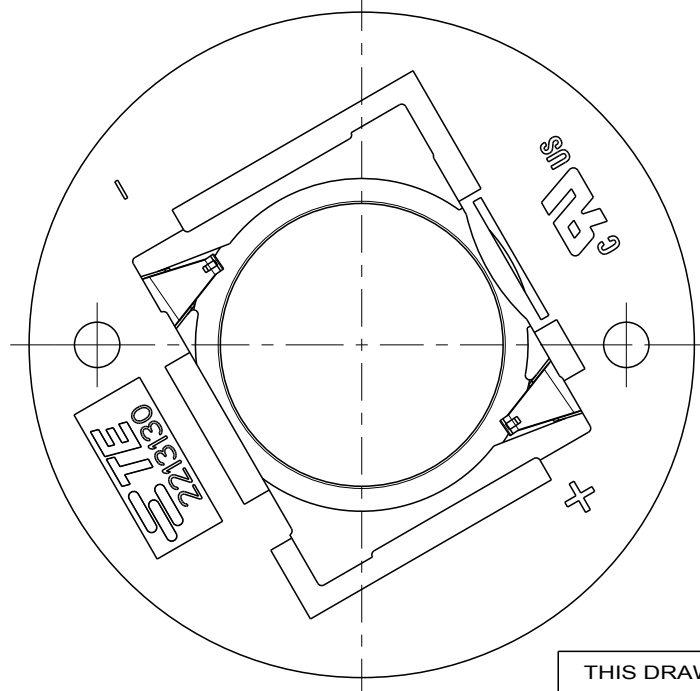
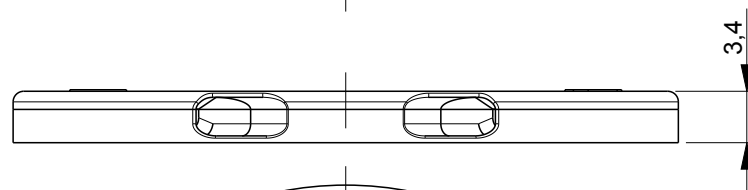
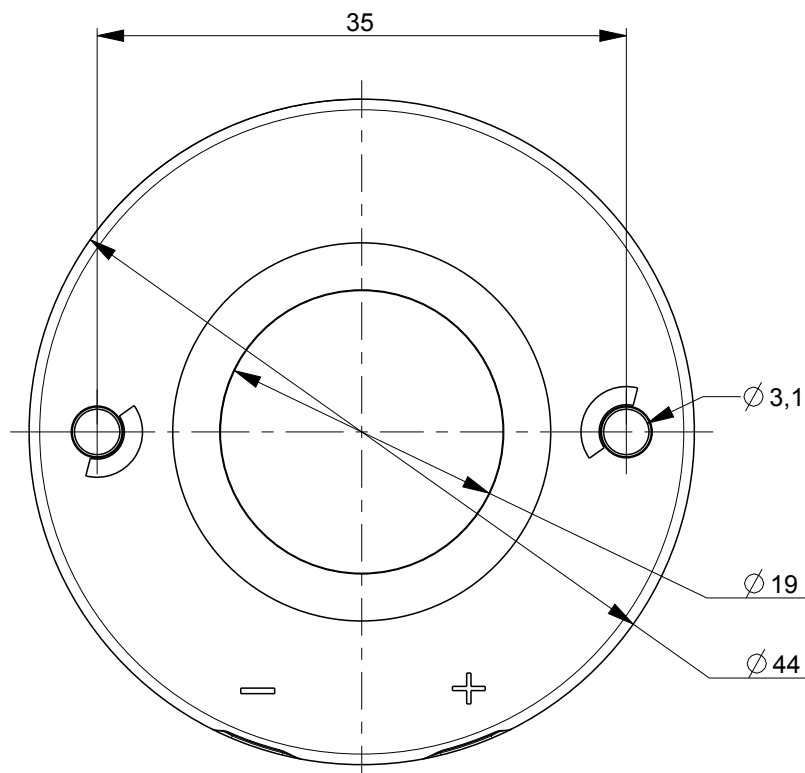
LOC H DIST -

REVISIONS

P	LTR	DESCRIPTION	DATE	DWN	APVD
A		RELEASED PER ECR-13-013596	28-AUG-13	MVE	OL
-	-		-	-	-
-	-		-	-	-
-	-		-	-	-

NOTES:

1. MATERIALS:  
HOUSING: GLASS FILLED PBT  
COLOR : NATURAL/WHITE  
CONTACTS: SILVER PLATED COPPER ALLOY
2. FOR SOLID AND STRANDED WIRE AWG 22-18
3. COMPLIES WITH DIRECTIVE 2002/95/EC (ROHS)
4. M3 SCREW TO BE USED FOR MOUNTING



M3 SCREW HOLES

WIRE ENTRANCE

WIRE ENTRANCE

LED PRESSURE CONTACTS

LED CLAMPING FEATURE

2213130-1 AS SHOWN

Z50 LED HOLDER LOW PROFILE

2213130-2	Z50 LED HOLDER STANDARD PROFILE 2024
2213130-1	Z50 LED HOLDER LOW PROFILE 2024
PARTNUMBER	DESCRIPTION

THIS DRAWING IS A CONTROLLED DOCUMENT.

DIMENSIONS: mm		TOLERANCES UNLESS OTHERWISE SPECIFIED:	
	0 PLC	±	
	1 PLC	±	
	2 PLC	±	
	3 PLC	±	
	4 PLC	±	
	ANGLES	±	
MATERIAL	FINISH		

DWN	28-AUG-13
CHK	M.V.ESSEN
APVD	28-AUG-13
PRODUCT SPEC	M.V.ESSEN
APPLICATION SPEC	O.LEIJNSE
WEIGHT	108-133008
	114-32048
CUSTOMER DRAWING	

**STE** TE Connectivity

NAME: Z50 LED HOLDER 2024

SIZE	CAGE CODE	DRAWING NO	RESTRICTED TO
A3	00779	C-2213130	-

SCALE: - SHEET 1 OF 3 REV A

4

3

2

1

THIS DRAWING IS UNPUBLISHED.

RELEASED FOR PUBLICATION

© COPYRIGHT-

BY TYCO ELECTRONICS CORPORATION.

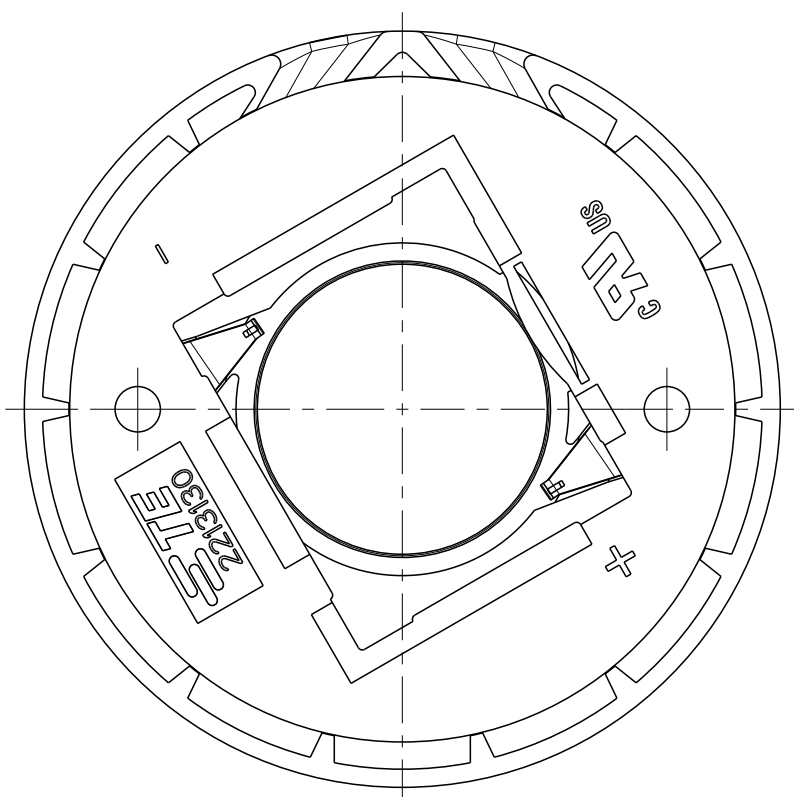
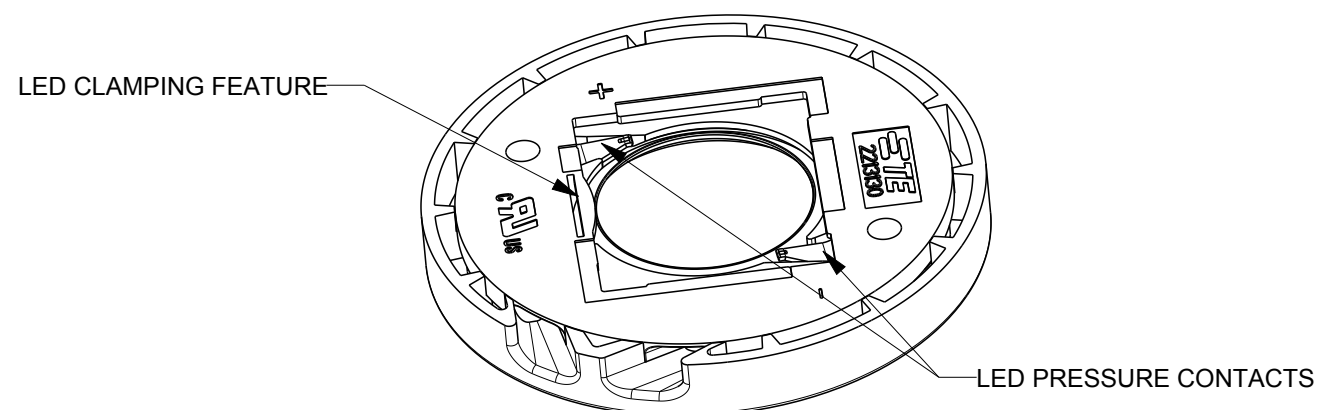
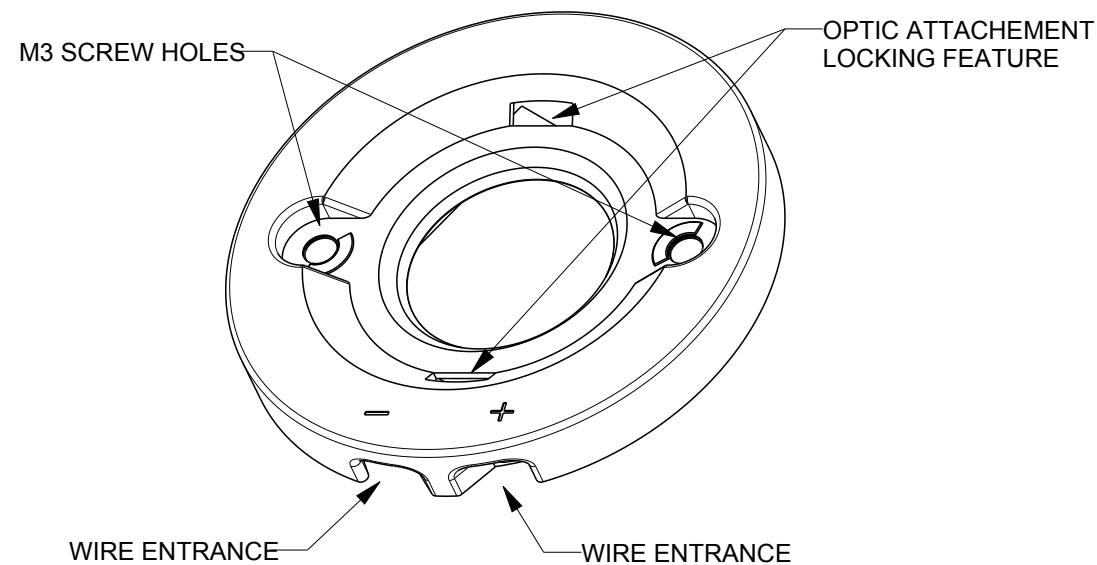
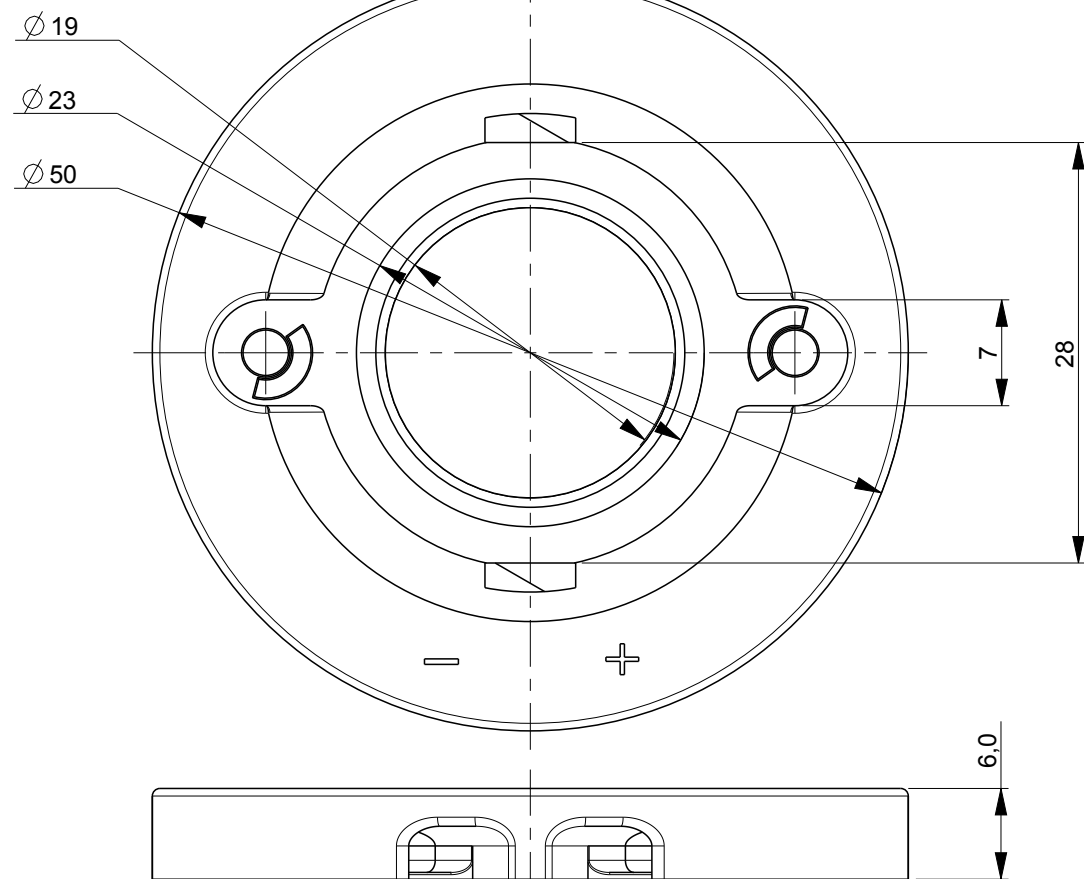
ALL RIGHTS RESERVED.

LOC  
H

DIST  
-

REVISIONS

P	LTR	DESCRIPTION	DATE	DWN	APVD
	-	SEE SHEET 1	-	-	-



2213130-2 AS SHOWN

Z50 LED HOLDER STANDARD PROFILE

THIS DRAWING IS A CONTROLLED DOCUMENT.

DWN 28-AUG-13  
M.V.ESSSEN  
CHK 28-AUG-13  
M.V.ESSSEN  
APVD 28-AUG-13  
O.LEIJNSE

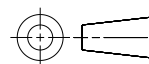
**TE** TE Connectivity

DIMENSIONS:

mm

TOLERANCES UNLESS OTHERWISE SPECIFIED:

0 PLC ±  
1 PLC ±  
2 PLC ±  
3 PLC ±  
4 PLC ±  
ANGLES ±



MATERIAL

-

FINISH

-

PRODUCT SPEC  
108-133008

APPLICATION SPEC  
114-32048

WEIGHT

-

NAME

Z50 LED HOLDER  
2024

SIZE

CAGE CODE

DRAWING NO

RESTRICTED TO

A3

00779

C-2213130

-

CUSTOMER DRAWING

SCALE

-

SHEET

2

OF

3

REV

A

SCALE 2:1

4

3

2

1

THIS DRAWING IS UNPUBLISHED.

RELEASED FOR PUBLICATION

© COPYRIGHT- BY TYCO ELECTRONICS CORPORATION. ALL RIGHTS RESERVED.

LOC

DIST

REVISIONS

P	LTR	DESCRIPTION	DATE	DWN	APVD
	-	SEE SHEET 1	-	-	-

THE SKETCH BELOW IS SHOWING THE NOMINAL LED COB DIMENSIONS TO MATCH WITH THE Z50 LED HOLDER 2024

FOR TECHNICAL DETAILS ABOUT A PROPER MATCH WITH A SPECIFIC LED COB ARRAY PLEASE CONTACT A REPRESENTATIVE AT TE-CONNECTIVITY

CONTACT POINT LOCATION

THIS DRAWING IS A CONTROLLED DOCUMENT.

DWN M.V.ESSSEN 28-AUG-13

CHK M.V.ESSSEN 28-AUG-13

APVD M.V.ESSSEN 28-AUG-13

O.LEIJNSE

PRODUCT SPEC

108-133008

APPLICATION SPEC

114-32048

WEIGHT

-

CUSTOMER DRAWING

TE Connectivity

NAME  
**Z50 LED HOLDER  
2024**

SIZE CAGE CODE DRAWING NO RESTRICTED TO

**A3** 00779 **C**-2213130 -

SCALE SHEET OF REV

- 3 OF 3 A

DIMENSIONS:

mm

TOLERANCES UNLESS OTHERWISE SPECIFIED:

0 PLC ±  
1 PLC ±  
2 PLC ±  
3 PLC ±  
4 PLC ±  
ANGLES ±

MATERIAL

-

FINISH

-

1470-19 (3/11)