



AMP | Standard Power Timer

TE Internal #: 964326-1

Standard Power Timer, Automotive Terminals, Receptacle, Tab
 Width 6.3 mm / 5.8 mm [.228 in / .248 in], Tab Thickness .031 in [.8 mm]

[View on TE.com >](#)

Terminals & Splices > Automotive Terminals > TIMER, RECEPTACLE AND TAB



Terminal & Splice Type: **Receptacle**

Mating Tab Width: **5.8 mm, 6.3 mm** [.228 in, .248 in]

Mating Tab Thickness: **.8 mm** [.031 in]

Terminal Transmits: **0 – 24 A (Low Power)**

Wire Size: **1 – 2.5 mm²**

[All TIMER, RECEPTACLE AND TAB \(362\)](#)

Features

Product Type Features

Sealable	No
Primary Locking Feature	Locking Lance
Automotive Terminal Wire Type	Copper

Contact Features

Typical Current Rating	40 A
Crimp Type	F-Crimp
Terminal & Splice Type	Receptacle
Mating Tab Width	5.8 mm, 6.3 mm [.228 in][.248 in]
Mating Tab Thickness	.8 mm [.031 in]
Automotive Terminal Interface Plating	Tin (Sn)
Contact Termination Area Plating Material	Tin (Sn)

Termination Features

Automotive Terminal Termination Method	Crimp
--	-------

Dimensions

Wire Size	1 – 2.5 mm ²
Wire Size Search	1 mm ² , 1.25 mm ² , 1.3 mm ² , 1.5 mm ² , 2 mm ² , 2.5 mm ²



Wire Insulation Diameter	2.2 – 3 mm [.087 – .118 in]
--------------------------	-----------------------------

Usage Conditions

Operating Temperature (Max)	80 °C, 85 °C, 90 °C, 100 °C, 105 °C, 110 °C, 120 °C, 125 °C, 130 °C [176 °F][185 °F][194 °F][212 °F][221 °F][230 °F][248 °F][257 °F][266 °F]
-----------------------------	--

Operating Temperature Range	-40 – 130 °C [-40 – 266 °F]
-----------------------------	-----------------------------

Industry Standards

Agency/Standard	IEC 664/664A (DIN VDE 0110)
-----------------	-----------------------------

Other

Terminal Transmits	0 – 24 A (Low Power)
--------------------	----------------------

Product Compliance

[For compliance documentation, visit the product page on TE.com>](#)

EU RoHS Directive 2011/65/EU	Compliant
EU ELV Directive 2000/53/EC	Compliant
China RoHS 2 Directive MIIT Order No 32, 2016	No Restricted Materials Above Threshold
EU REACH Regulation (EC) No. 1907/2006	Current ECHA Candidate List: JUN 2020 (209) Candidate List Declared Against: JUN 2020 (209) Does not contain REACH SVHC
Halogen Content	Low Halogen - Br, Cl, F, I < 900 ppm per homogenous material. Also BFR/CFR/PVC Free
Solder Process Capability	Not applicable for solder process capability

Product Compliance Disclaimer

This information is provided based on reasonable inquiry of our suppliers and represents our current actual knowledge based on the information they provided. This information is subject to change. The part numbers that TE has identified as EU RoHS compliant have a maximum concentration of 0.1% by weight in homogenous materials for lead, hexavalent chromium, mercury, PBB, PBDE, DBP, BBP, DEHP, DIBP, and 0.01% for cadmium, or qualify for an exemption to these limits as defined in the Annexes of Directive 2011/65/EU (RoHS2). Finished electrical and electronic equipment products will be CE marked as required by Directive 2011/65/EU. Components may not be CE marked. Additionally, the part numbers that TE has identified as EU ELV compliant have a maximum concentration of 0.1% by weight in homogenous materials for lead, hexavalent chromium, and mercury, and 0.01% for cadmium, or qualify for an exemption to these limits as defined in the Annexes of Directive 2000/53/EC (ELV). Regarding the REACH Regulation, the information TE provides on SVHC in articles for this part number is based on the latest European Chemicals Agency (ECHA) 'Guidance on requirements for substances in articles' posted at this URL: <https://echa.europa.eu/guidance-documents/guidance-on-reach>

Compatible Parts




TE Model / Part # 2305570-1
TERMINAL CUTTER, SIDE FEED



TE Model / Part # 1-1579007-6
EXTRACTION TOOL



TE Model / Part # CAT-T4827-CH8172
TIMER, CONNECTOR HOUSING



TE Model / Part # 2151059-1
OCEAN_2.0_APPLICATOR-S-110F140OV



TE Model / Part # 2151059-2
OCEAN_2.0_APPLICATOR-S-110F140OV



KIT
REPRESENTATION ONLY

TE Model / Part # 7-2151059-7
OCEAN_2.0_SPARE_PART_KIT-110F140OV



TE Model / Part # 4-1579007-3
EXTRACTION TOOL KIT



TE Model / Part # 2-2151059-1
OCEAN_2.0_APPLICATOR-S-110F140OV



TE Model / Part # 2-2151059-2
OCEAN_2.0_APPLICATOR-S-110F140OV



TE Model / Part # 7-2151059-2
OCEAN_2.0_APPLICATOR-S-110F140OV


TE Model / Part # 2836684-1
APPLICATOR TO MAKE LOOSE PIECE TERMINAL

TE Model / Part # 7-2836684-7
TOOLING KIT TO MAKE LOOSE PIECE TERMINAL




TE Model / Part # 1563775-1
3POS,SPT,REC HSG,NO 2.LOCK,BK


Also in the Series | Standard Power Timer




Automotive Housings(31)



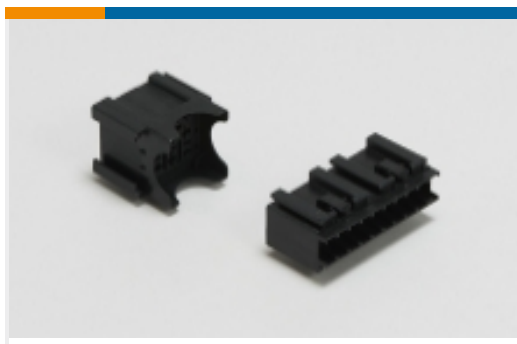
Automotive Terminals(57)



Busbars & Terminals(3)

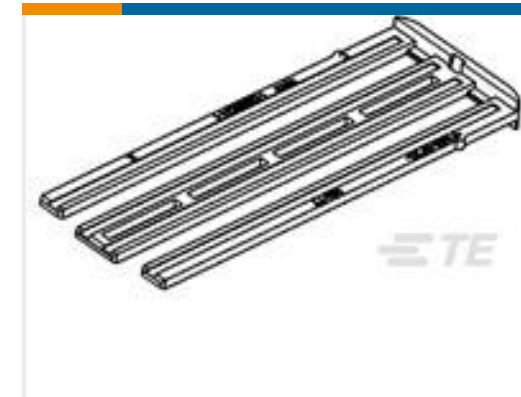
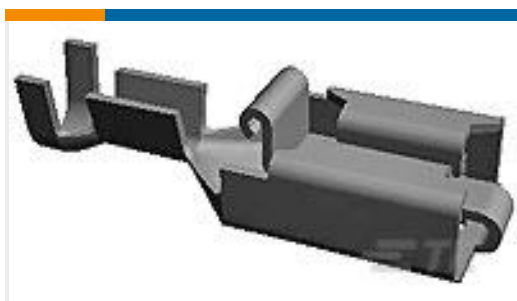
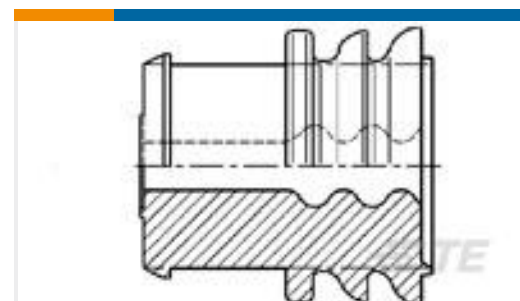


Insertion & Extraction Tools(4)



Module Components(8)

Customers Also Bought

TE Model / Part #284716-3
TIMER, CONNECTOR HOUSINGTE Model / Part #964328-1
TIMER, RECEPTACLE AND TABTE Model / Part #1534101-1
MQS, CONNECTOR HOUSINGTE Model / Part #1-1355134-1
RETAINER 94PTE Model / Part #927852-6
PL 250 REC TERMINAL 20-17 AWG
PTPBTE Model / Part #963244-1
EINZELDRAHTDICHTUNGTE Model / Part #0838016002
RBK-VWS-125-NR1-X-50MM

Documents

Product Drawings

[SPT A REC 6.3 Contact SRC Sn](#)

English

[SPT A REC 6.3 Contact SRC Sn](#)

English

CAD Files

[3D PDF](#)

3D

Customer View Model

[ENG_CVM_CVM_964326-1_C.2d_dxf.zip](#)

English

Customer View Model

[ENG_CVM_CVM_964326-1_C.3d_igs.zip](#)

English

Customer View Model

[ENG_CVM_CVM_964326-1_C.3d_stp.zip](#)



English

By downloading the CAD file I accept and agree to the [Terms and Conditions](#) of use.

Datasheets & Catalog Pages

Timer Interconnection System

English

Product Specifications

Application Specification

German

Application Specification

German

Application Specification

English

Application Specification

English