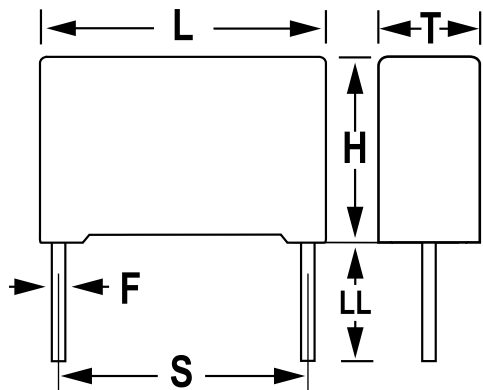


**KEMET Part Number: PHE844RR7220MR06L2**  
(F844RP225M440Z, PHE844RP225M440R06L2)

PHE844/F844, Film, Metallized Polypropylene, Safety, 2.2 uF, 20%, 440 VAC (X1) (ENEC), 480 VAC (UL, cUL), 1000 VDC, 105°C, Lead Spacing = 37.5mm



General Information	
Supplier:	KEMET
Series:	PHE844/F844
Dielectric:	Metallized Polypropylene
Style:	Radial
Features:	EMI Safety
RoHS:	Yes
Lead:	Wire Leads
Qualifications:	ENEC, UL, cUL
Miscellaneous:	ClimCat: 40/105/56/B

Dimensions	
L	41mm MAX
H	38mm MAX
T	21mm MAX
S	37.5mm +/-0.5mm
LL	6mm -1mm
F	1mm +/-0.05mm

Specifications	
Capacitance:	2.2 uF
Capacitance Tolerance:	20%
Voltage AC:	440 VAC (X1) (ENEC), 480 VAC (UL, cUL)
Voltage DC:	1000 VDC
Temperature Range:	-40/+105C
Rated Temperature:	105°C
Dissipation Factor:	0.10% 1kHz, 0.80% 10kHz
Insulation Resistance:	4.5454 GOhms
Max dV/dt:	100 V/us
Safety Class:	X1

Packaging Specifications	
Packaging:	Pizza, Box
Packaging Quantity:	84