

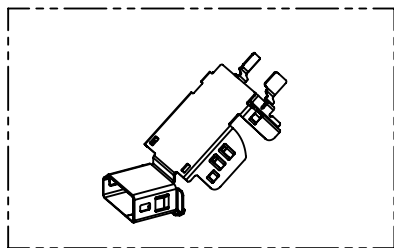
### Applicable cable

| Items           | Applicable condition |
|-----------------|----------------------|
| Conductor size  | AWG 28-22            |
| Insulation O.D. | Ø1.55mm max.         |
| Braid Shield    | Tin plating          |
| Sheath O.D.     | Ø6.3mm - Ø7.2mm      |

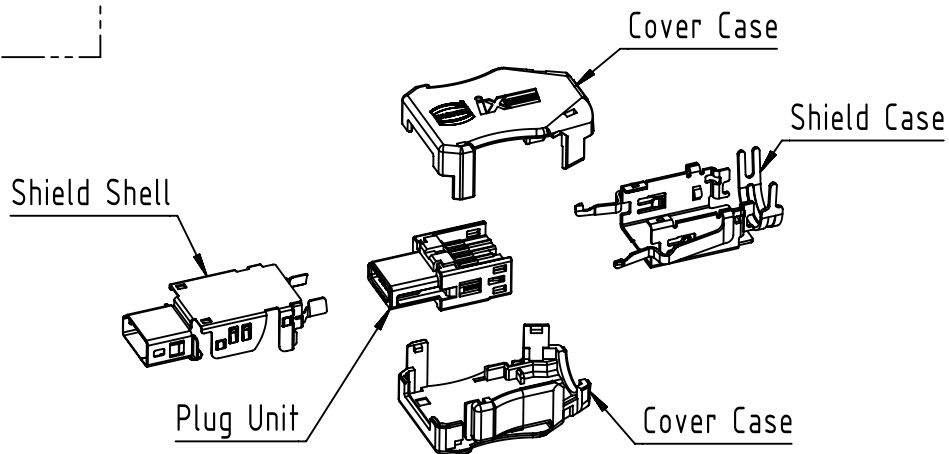
Contact material: copper alloy  
 Contact area: Gold 0.2µm min.  
 Wiring area: Gold 0.03µm min.  
 Under plating: Nickel 2µm min.

|   |  |                        |                          |                             |  |
|---|--|------------------------|--------------------------|-----------------------------|--|
|   | All Dimensions in mm<br>Original Size DIN A4 | Scale<br>2:1           | Free size tol.           |                             | Ref.   |
|   | All rights reserved<br>Department EL PD      | Created by<br>POPESCUD | Inspected by<br>PRIESTER | Standardisation<br>HOFFMANN | Date<br>2018-08-27                                       |
| HARTING Electronics GmbH<br>D-32339 Espelkamp | Title<br>ix Industrial 10B-1 plug SL-S       |                        |                          |                             | Doc-Key / ECM-Nr.<br>100744234/UGD/000/B<br>500000138273 |
|   |  | Type<br>TB             | Number<br>09451819000    |                             | Rev. B<br>Page 1/2                                       |

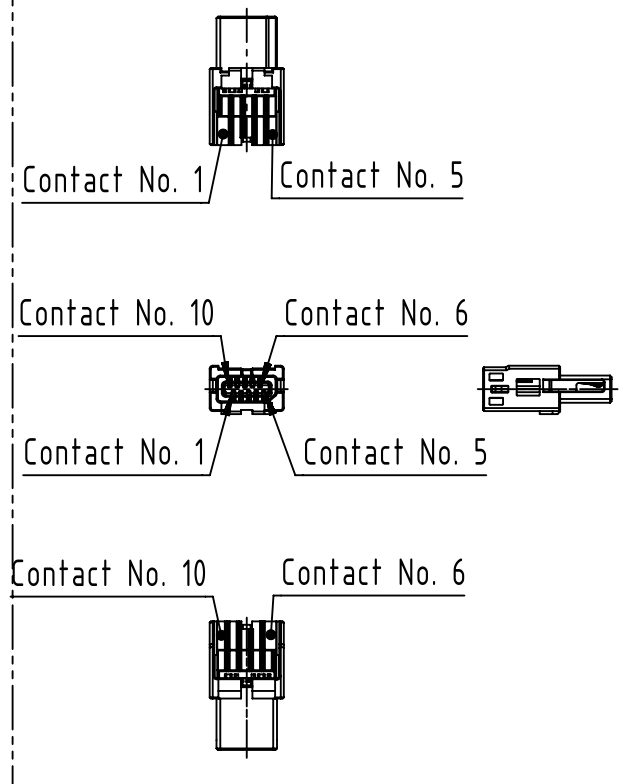
# Shield Shell delivery form



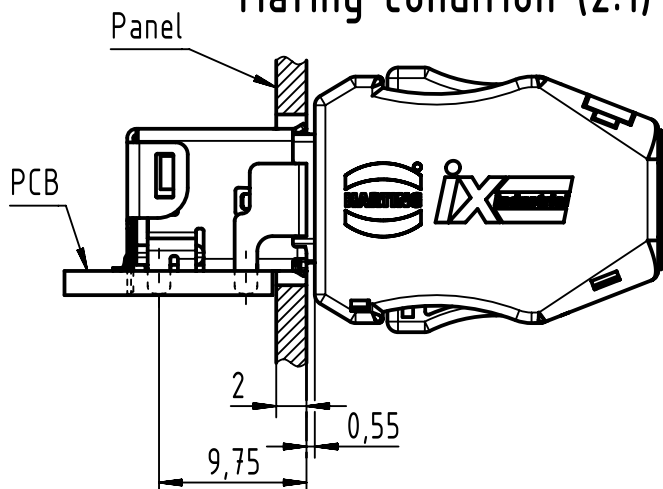
# Product Structure



# Plug Unit



# Mating condition (2:1)



|   |  |  |                        |                          |                             |  |                         |
|---|--|--|------------------------|--------------------------|-----------------------------|--|-------------------------|
|   | All Dimensions in mm<br>Original Size DIN A4 |  | Scale<br>1:1           | Free size tol.           |                             | Ref.   |                         |
|   | All rights reserved<br>Department EL PD      |  | Created by<br>POPESCUD | Inspected by<br>PRIESTER | Standardisation<br>HOFFMANN | Sub.   |                         |
| HARTING Electronics GmbH<br>D-32339 Espelkamp |  | Title<br>ix Industrial 10B-1 plug SL-S |                        |                          |                             | Date<br>2018-08-27                                       | State<br>Final Release  |
|   |  | Type TB      Number 09451819000        |                        |                          |                             | Doc-Key / ECM-Nr.<br>100744234/UGD/000/B<br>500000138273 | Rev. B      Page<br>2/2 |