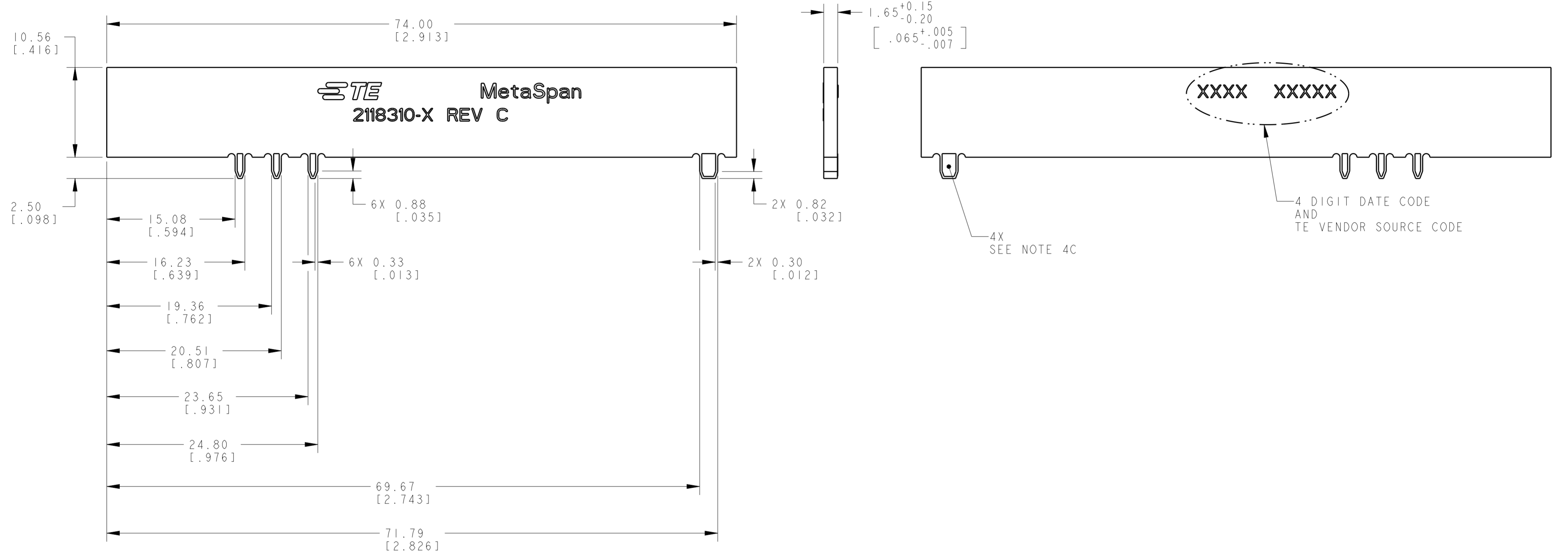


THIS DRAWING IS UNPUBLISHED. RELEASED FOR PUBLICATION 20
 © COPYRIGHT 20 BY TYCO ELECTRONICS CORPORATION ALL RIGHTS RESERVED.

LOC	DIST	REVISIONS					
		P	LTR	DESCRIPTION	DATE	DWN	APVD
HQ	00		B	REVISED PER ECO-16-008691	08JUN2016	JPS	JLM
			BI	CORRECT REV B ECO NUMBER	15FEB2017	JPS	JLM
			C	REVISED PER ECO-17-010196	13JUL2017	AP	JLM
			CI	REVISED PER ECO-18-006886	19APR2018	AP	JLM



- NOTES: UNLESS OTHERWISE SPECIFIED.
- FABRICATE TO MEET IPC - 6012, CLASS 2. INSPECT TO MEET IPC - A - 600, CLASS 2.
 - PRIMARY SIDE AND SECONDARY SIDE SHOWN.
 - MATERIAL: PCB MATERIAL 1.57 THK. (BEFORE PLATING) 1/2 OZ. COPPER BOTH SIDES, DIELECTRIC CONSTANT @ 1MHZ 4.2±0.1.
 - FINISH:
 A: SOLDERMASK OVER BARE COPPER (SMOBC).
 B: MASK BOTH SIDES OF PCB WITH LPI SOLDERMASK. SOLDERMASK COLOR: SEE TABLE FOR COLOR.
 C: TOP AND BOTTOM OF TABS E.N.I.G PLATING
 - PACKAGING: DEPANELIZED PARTS TO BE SECURELY SHRINK WRAPPED, BAGGED OR VACUUM PACKED IN BULK.
 - PARTS ARE COMPLIANT TO ROHS STANDARDS PER TYCO ELECTRONICS STANDARD TEC-138-702.
 - CONSULT TYCO ELECTRONICS DATA SHEET DS2118310
 - CONTACT TYCO ELECTRONICS ENGINEERING PRIOR TO DESIGNING INTO AN APPLICATION

BLACK	2118310-2
GREEN	2118310-1
NOTE 4B, SOLDERMASK COLOR	PART NUMBER

THIS DRAWING IS A CONTROLLED DOCUMENT.		DWN	K. FOLTZ	21FEB2013	TE Connectivity 4 G WORLD BAND METASPAN PCB DEPENDENT			
DIMENSIONS:		CHK	G. GRIFFITH	21FEB2013				
mm [INCHES]		APVD	G. GRIFFITH	21FEB2013				
TOLERANCES UNLESS OTHERWISE SPECIFIED:		PRODUCT SPEC						
0 PLC	±	APPLICATION SPEC			SIZE	CAGE CODE	DRAWING NO	RESTRICTED TO
1 PLC	±				A2	00779	C-2118310	
2 PLC	±0.23 [.009]	WEIGHT			SCALE	3:1	SHEET	OF
3 PLC	±				CUSTOMER DRAWING		1	1
4 PLC	±							REV
ANGLES	±1°							CI
FINISH								