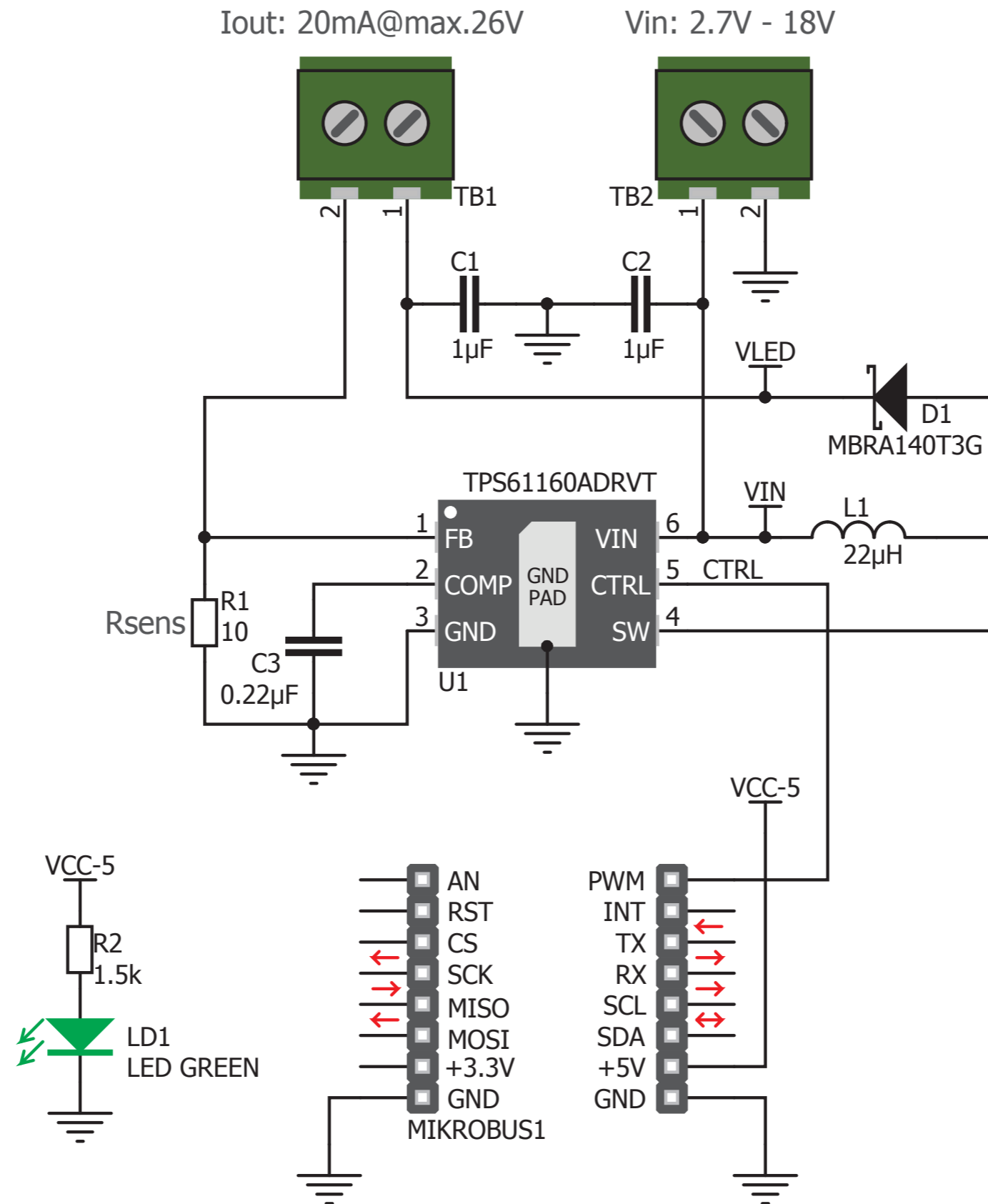


LED Driver click schematic v100



www.mikroe.com