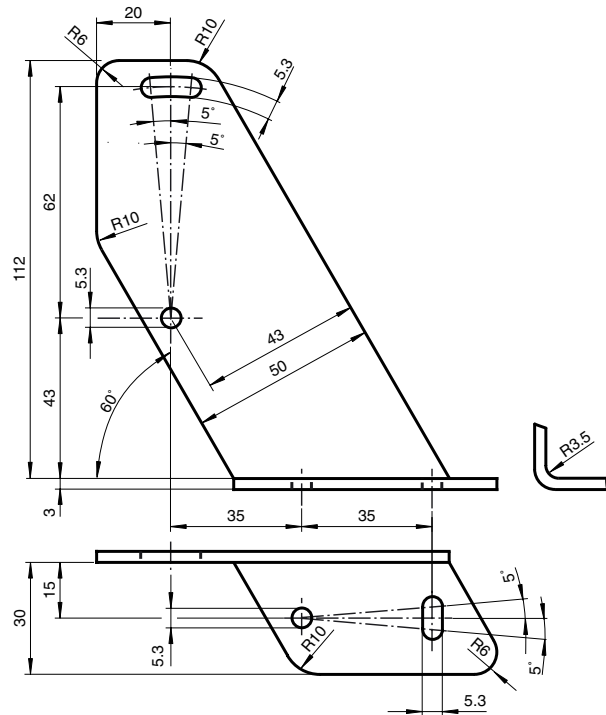




Dimensions



Model number

OMH-21

Mounting bracket

Features

- Mounting bracket
- Simple and fast mounting

Technical data

Mechanical specifications

Material	Steel, powder coated
Mass	approx. 175 g
Mounting	Mounting accessories included

Suitable series

Series	RL23 RL28 RL29
Safety Series	SLA20 SLA28 SL29, SLA29