

# Bocube

Enclosures, polycarbonate UL 94 V0, crystal-clear lid



B 080805 PC-V0-G 7024

Order no.: 96021114

\* = Available on request.

## Characteristics

Colour of enclosure group  
Graphite grey, similar to RAL 7024

Colour of enclosure group  
Graphite grey

Protection class  
IP 66, 68 - 1,2m (2 hours)

Enclosure Material

ABS or PC UL 94 V0 (material is suitable for outdoor use; f1-listing according to UL 746C)

PU seal, foamed; for details please see Technical Information

Scope of delivery

Lid and base, hinged quick-release catches

## Important!

To compensate for pressure when temperatures change and cause moisture in the enclosure, we recommend that you use a pressure compensation element.

» Additional information

## Technical documentation / Downloads

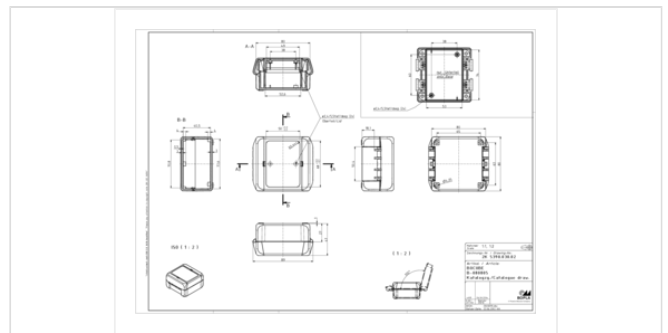
### Technical drawings

3D product data in STEP format: Registration necessary  
Product drawing in PDF format: 96021114 B-080805-PC-V0-G-7024.pdf (159.7 KB)

## Dimensions

Dimensions  
89 x 80 x 47 mm

### Product drawing



### Product information

Bocube GB.pdf (1.9 MB)  
Highlights Bocube.pdf (3.8 MB)

## Works Test Certificates

688 WPZ-Bocube-PC-V0 DE.pdf (184.6 KB)  
689 WPZ-Bocube-ABS DE.pdf (165.1 KB)  
689 WPZ-Bocube-ABS EN.pdf (160.3 KB)  
688 WPZ-Bocube-PC-V0 EN.pdf (179.1 KB)

## Matching accessories

---



### Hinged quick-release catches (Set), polycarbonate UL 94 V0 or ABS

96310100	B SC 08 PC-V0 3000	For B 0808.., B 1008.., B 1408.., B 1808..	Flame red
96310102	B SC 08 PC-V0 5002	For B 0808.., B 1008.., B 1408.., B 1808..	Ultramarine blue
96310109	B SC 08 PC-V0 6029	For B 0808.., B 1008.., B 1408.., B 1808..	Mint green
96310104	B SC 08 PC-V0 7024	For B 0808.., B 1008.., B 1408.., B 1808..	Graphite grey
96310105	B SC 08 PC-V0 7035	For B 0808.., B 1008.., B 1408.., B 1808..	Light grey
96310103	B SC 08 PC-V0 1023	For B 0808.., B 1008.., B 1408.., B 1808..	Traffic yellow



### Hand-operated hinged catch (set), polycarbonate UL 94 V0 or ABS

96910109	B SC HB 08 PC-V0 6029	For B 0808.., B 1008.., B 1408.., B 1808..	Mint green
96910100	B SC HB 08 PC-V0 3000	For B 0808.., B 1008.., B 1408.., B 1808..	Flame red
96910102	B SC HB 08 PC-V0 5002	For B 0808.., B 1008.., B 1408.., B 1808..	Ultramarine blue
96910104*	B SC HB 08 PC-V0 7024	For B 0808.., B 1008.., B 1408.., B 1808..	Graphite grey
* 96910105*	B SC HB 08 PC-V0 7035	For B 0808.., B 1008.., B 1408.., B 1808..	Light grey
* 96910103	B SC HB 08 PC-V0 1023	For B 0808.., B 1008.., B 1408.., B 1808..	Traffic yellow



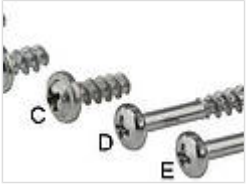
### Wall brackets

96510005	B WL 7035	For B 08... - B 26...	Light grey
96510004	B WL 7024	For B 08... - B 26...	Graphite grey



### Mounting panels, laminated paper, 2 mm

96601100	B M 0808	For B 0808..
----------	----------	--------------



### Sets of screws

96300000 B SHR

D (for optional screwing of enclosures B 0808 - 2617)

96600000 B M-SHR 0808

B (for fixing mounting panels B M 0808)



### Blanking plugs to determine the hinge side

96410000 B VS 3000

Flame red

96410005 B VS 7035

Light grey

96410004 B VS 7024

Graphite grey



### Pressure compensation membrane DAE

52011000 DAE-D11

Self-adhesive membrane  $\varnothing$  11 mm