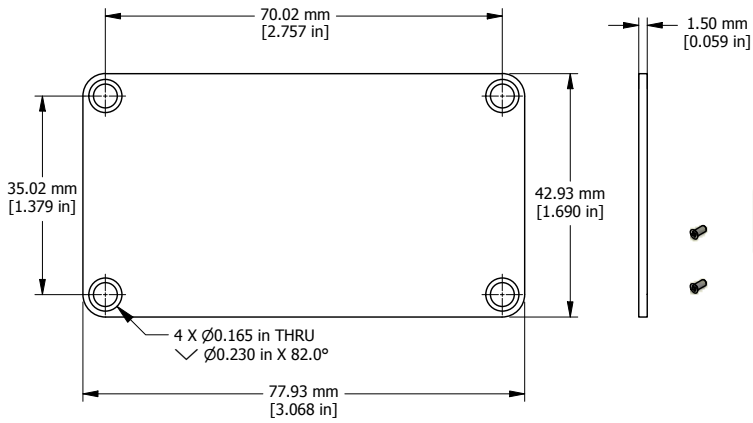
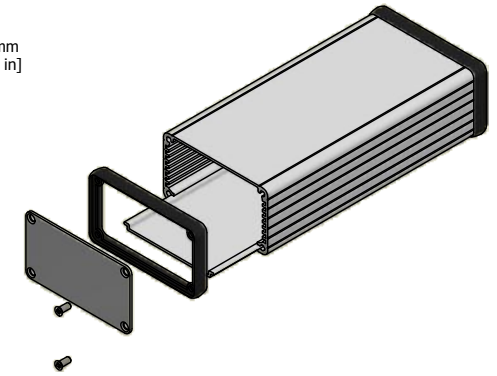


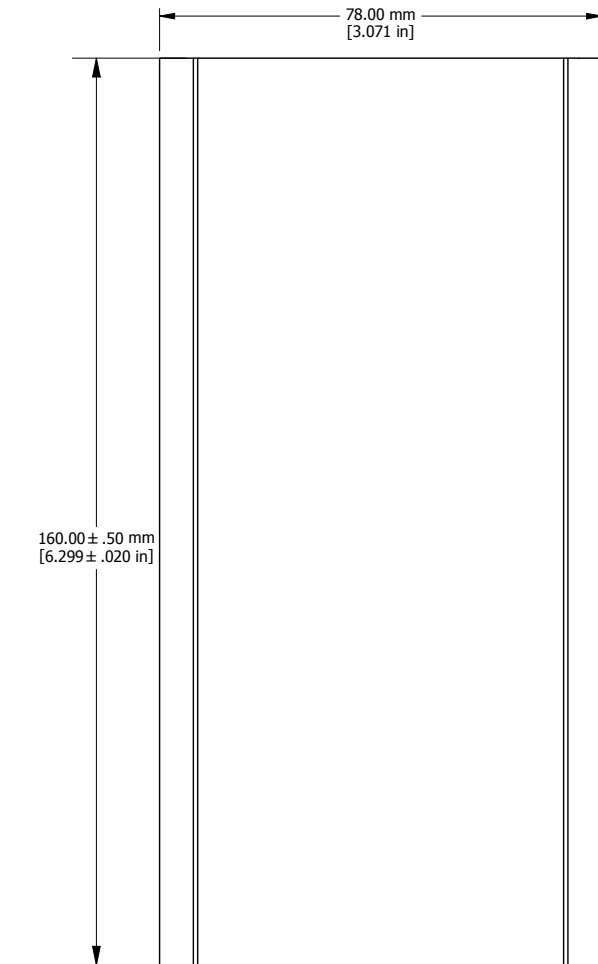
EXTRUSION



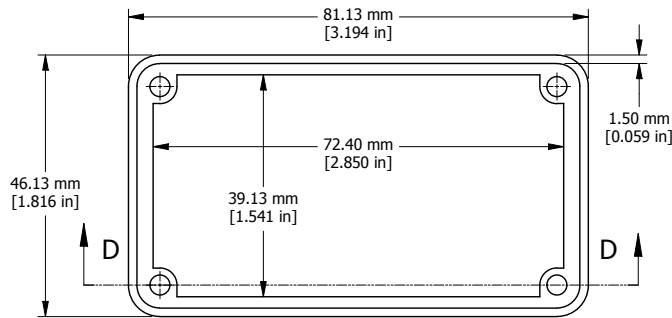
END PLATE



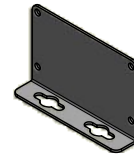
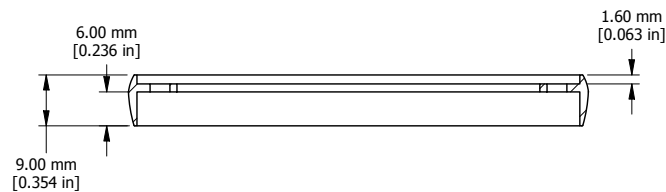
EXPLODED ASSEMBLY VIEW



EXTRUSION DESIGNED FOR 75MM WIDE PC BOARD



OPEN BEZEL



**OPTIONAL FLANGE END PANELS
1455KF**

Enclosures can be Factory Modified (Milling, Drilling, Printing etc.)
Solid models of this enclosure available in STEP or IGES.
Contact Factory mjrm@hammondmfg.com

NOTE	
Purchased assembly includes box, plastic bezels, end panels, #6	
Taptight screws and self adhesive rubber feet.	
Box made from Extruded Aluminum 6063.	
Bezels made with polycarbonate.	

1455K1601	
PART NUMBERS	
Clear Anodized	1455K1601
Black Anodized	1455K1601BK
Blue Anodized	1455K1601BU
Red Anodized	1455K1601RD
ACCESSORIES	
See website for accessories.	

**HAMMOND
MANUFACTURING™**
1455K1601
www.hammondmfg.com