

NOTES:

1) MATERIAL:

HOUSING: NYLON(PA), GLASS FILLED, UL94V-0, COLOR: SEE SHEETS 5 AND 6  
 INSULATOR: NYLON(PA), GLASS FILLED, UL94V-0, COLOR: SEE SHEETS 5 AND 6  
 TERMINALS: PHOSPHOR BRONZE, 0.30 mm THICK  
 SHIELD: BRASS, 0.18 mm THICK

2) FINISH:

TERMINALS:

A = SELECT GOLD IN CONTACT AREA: 1.27 MICROMETERS MIN.,  
 \*SELECT TIN IN PC TAIL AREA: 2.54 MICROMETERS MIN.,  
 WITH OVERALL NICKEL UNDERPLATE: 1.27 MICROMETERS MIN.  
 B = SELECT GOLD IN CONTACT AREA: 0.76 MICROMETERS MIN.,  
 \*SELECT TIN IN PC TAIL AREA: 2.54 MICROMETERS MIN.,  
 WITH OVERALL NICKEL UNDERPLATE: 1.27 MICROMETERS MIN.  
 \*THE PRIMARY SHIPPING CARTON WILL BE LABELED "COMPLIANT TO RoHS  
 DIRECTIVE 2002/95/EC AND ELV ANNEX II OF DIRECTIVE 2000/53/EC".  
 CARTONS WITHOUT THIS LABEL MAY CONTAIN PRODUCT WITH TIN-LEAD  
 IN THE PC TAILS AND/OR SHIELD.

SHIELD:

2.54 MICROMETERS NICKEL OVER 1.27 MICROMETERS COPPER  
 UNDERPLATE PCB GROUND TABS DIPPED IN TIN

3) PRODUCT SPECIFICATION AND PROCESSING PARAMETERS: PS-43202.

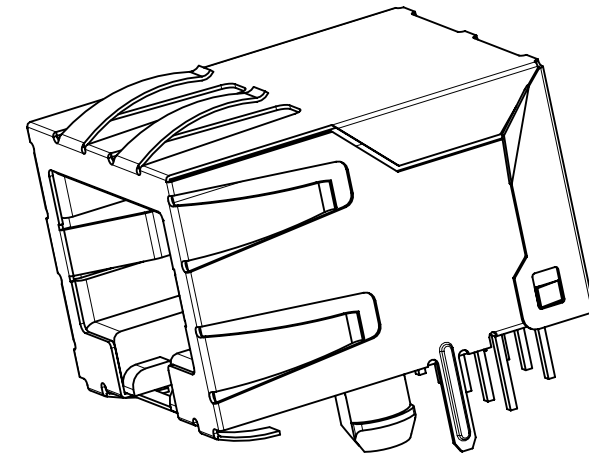
4) PACKAGING SPECIFICATION:

UNSHIELDED CONNECTOR ASSEMBLIES PACKAGED IN THERMOFORMED TRAYS  
 PER MOLEX PACKAGING SPECIFICATION PK-43202-003.  
 UNSHIELDED CONNECTOR ASSEMBLIES PACKAGED IN TUBES  
 PER MOLEX PACKAGING SPECIFICATION PK-43202-005.  
 SHIELDED CONNECTOR ASSEMBLIES PACKAGED IN THERMOFORMED TRAYS  
 PER MOLEX PACKAGING SPECIFICATION PK-43202-004.

5) SEE SHEETS 7 - 9 FOR P.C. BOARD LAYOUTS.

6) CONFORMS TO FCC REGULATION PART 68.5 FOR MODULAR JACKS.

7) THIS PART CONFORMS TO CLASS B REQUIREMENTS OF COSMETIC  
 SPECIFICATION PS-45499-002.



SHIELDED MODULAR JACK  
 SHOWN WITH PANEL GROUND  
 OPTION "D" AND FRONT  
 PCB GROUND TABS

## DRAWING LEGEND

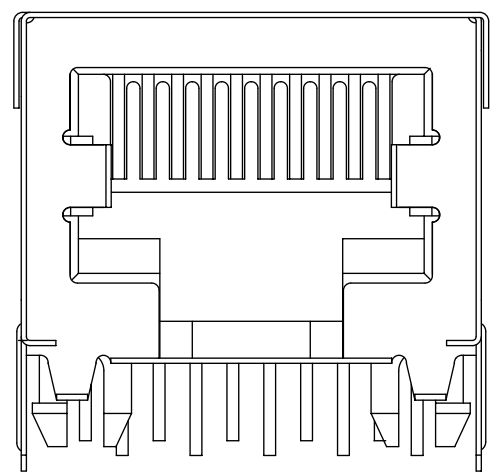
SHEET 1- NOTES, DRAWING LEGEND  
 SHEET 2- SHIELDED MODULAR JACK W/ BOTTOM GROUND TABS  
 SHEET 3- SHIELDED MODULAR JACK W/O BOTTOM GROUND TABS  
 SHEET 4- UNSHIELDED MODULAR JACK  
 SHEET 5- PART NUMBER CHARTS  
 SHEET 6- PART NUMBER CHARTS  
 SHEET 7- FOOTPRINT LAYOUT 4 POSITION HOUSING  
 SHEET 8- FOOTPRINT LAYOUT 6 POSITION HOUSING  
 SHEET 9- FOOTPRINT LAYOUT 8 POSITION HOUSING

THIS DRAWING CONTAINS INFORMATION THAT IS PROPRIETARY TO MOLEX ELECTRONIC TECHNOLOGIES, LLC AND SHOULD NOT BE USED WITHOUT WRITTEN PERMISSION										
FUNCTIONAL SYMBOLS	DIMENSION UNITS	SCALE	CURRENT REV DESC: MIGRATION TO NX							
$\nabla = 0$	mm	3:1	EC NO: 704381 DRWN: FAYEW 2022/04/18 CHKD: KLANG 2022/05/16 APPR: KLANG 2022/05/16 INITIAL REVISION: DRWN: RFC_PLMIMP 2018/11/02 APPR: REDGLEY 2000/10/17							
$\nabla = 0$	GENERAL TOLERANCES (UNLESS SPECIFIED)									
$\nabla = 0$	ANGULAR TOL $\pm 0.5^\circ$									
DIVISIONAL SYMBOLS	4 PLACES	$\pm$	PRODUCT CUSTOMER DRAWING				DOCUMENT NUMBER	DOC TYPE	DOC PART	REVISION
	3 PLACES	$\pm$	SDA-43202				PSD	001	L9	
	2 PLACES	$\pm 0.25$	MATERIAL NUMBER				CUSTOMER		SHEET NUMBER	
	1 PLACE	$\pm 0.36$	GENERAL MARKET				1 OF 9			
	0 PLACES	$\pm$	DRAFT WHERE APPLICABLE MUST REMAIN WITHIN DIMENSIONS		THIRD ANGLE PROJECTION	DRAWING	SERIES			
						B-SIZE	43202			

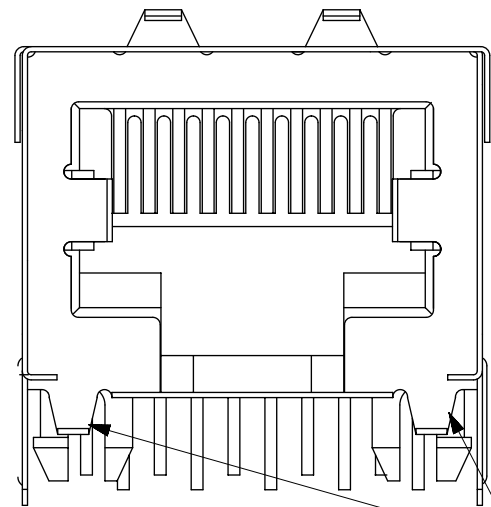
# SHIELD MODULAR JACK W/BOTTOM GROUND TABS

SIZE 8 LOADED 10 VERSION SHOWN

## SIDE/TOP GROUND TAB OPTIONS FOR SHIELDS



**OPTION "A"**  
NO TOP OR SIDE TABS

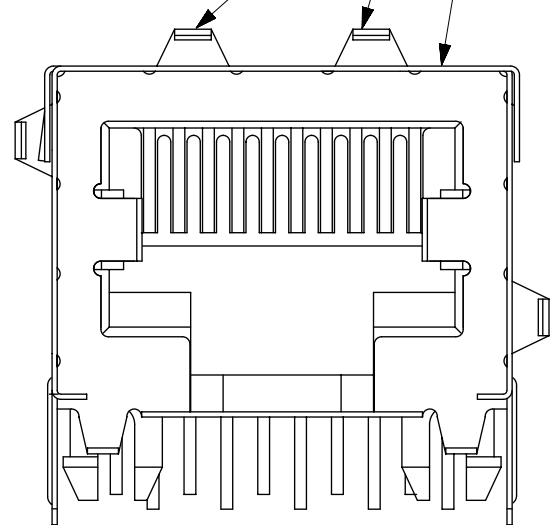


**OPTION "B"**  
TOP TABS  
BOTTOM GROUND TABS

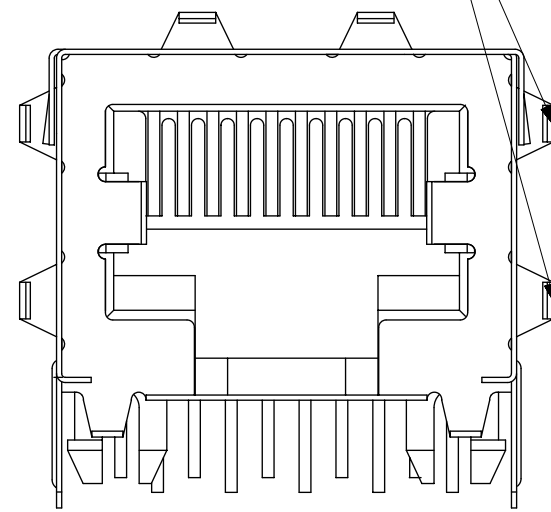
OPTIONAL TOP GROUND TABS

SHIELDED MODULAR JACK ASSEMBLY SEE SHEET 5 FOR MATERIAL NO.

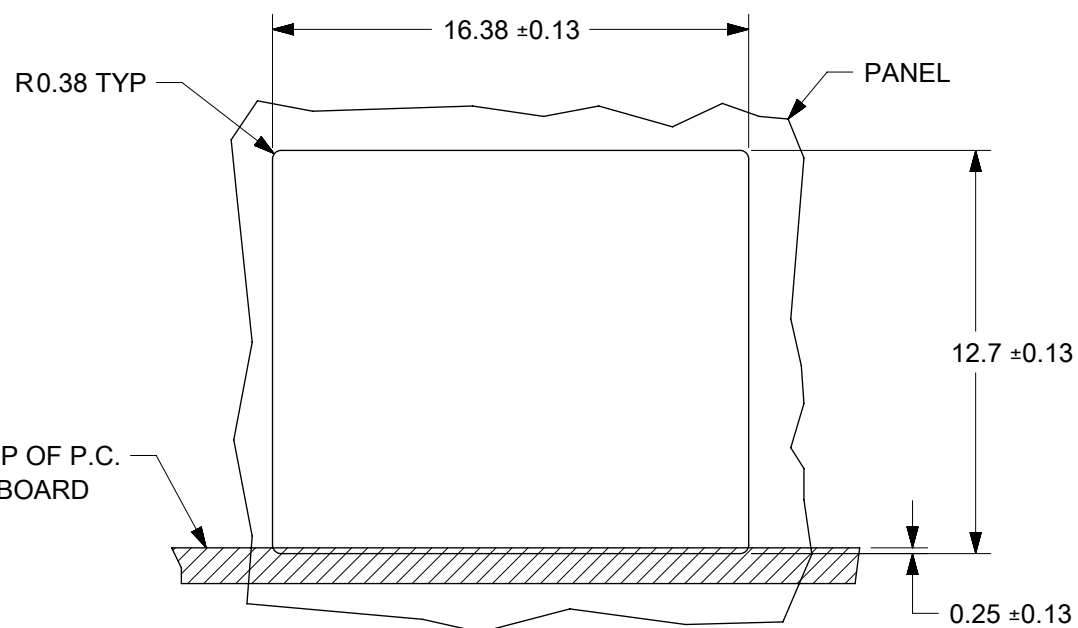
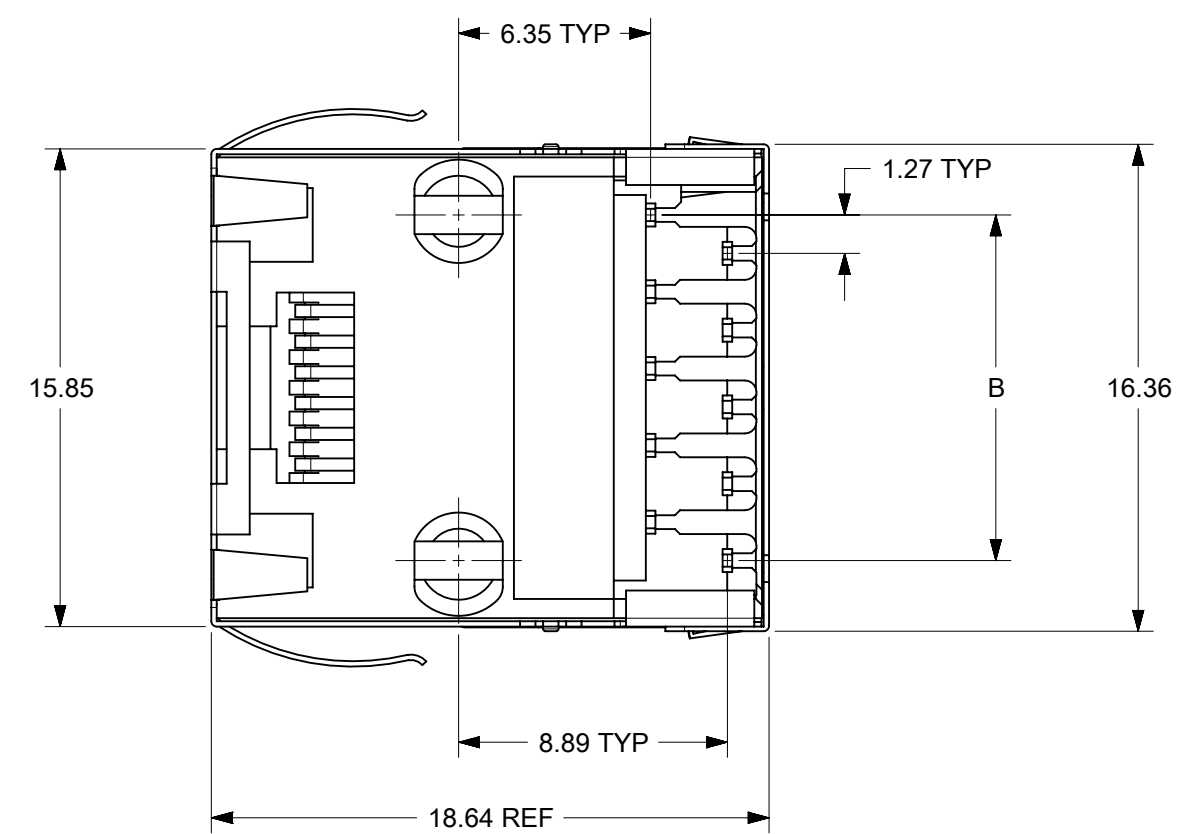
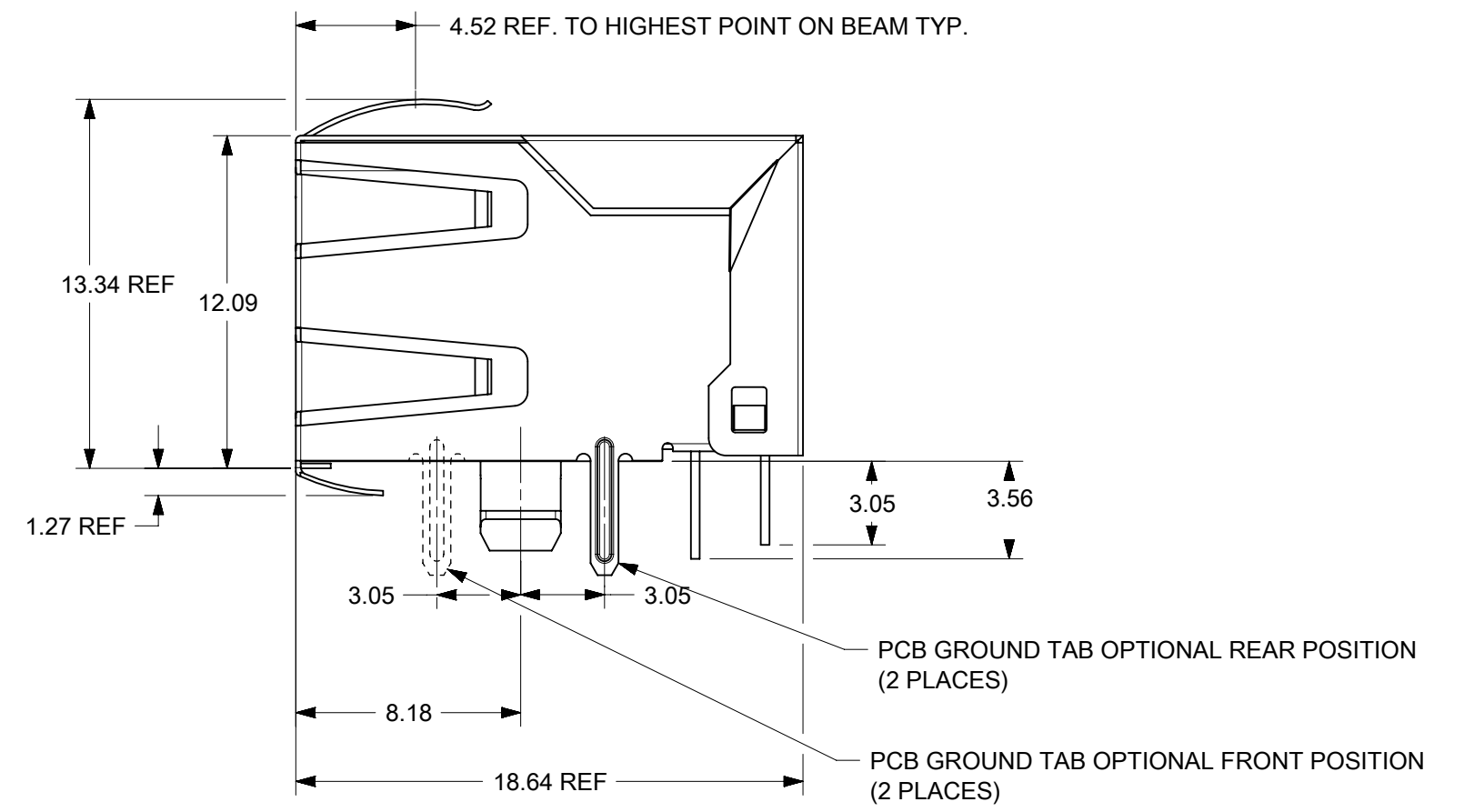
OPTIONAL SIDE GROUND TABS (2 PLACES)



**OPTION "C"**  
TOP AND STAGGERED SIDE TABS



**OPTION "D"**  
TOP AND SIDE TABS



**PANEL CUT-OUT**  
(SHIELDED W/BOTTOM GROUND TABS)

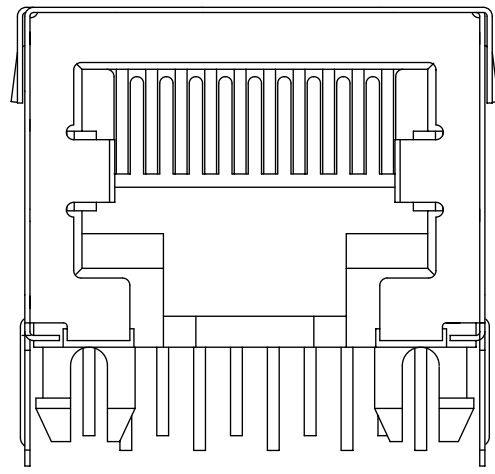
HOUSING SIZE	CIRCUIT SIZE	B
8	10	11.43±0.13
8	8	8.89±0.13

<b>FUNCTIONAL SYMBOLS</b> $\nabla_A = 0$ $\nabla_C = 0$ $\nabla_P = 0$	THIS DRAWING CONTAINS INFORMATION THAT IS PROPRIETARY TO MOLEX ELECTRONIC TECHNOLOGIES, LLC AND SHOULD NOT BE USED WITHOUT WRITTEN PERMISSION		CURRENT REV DESC: MIGRATION TO NX		
	DIMENSION UNITS	SCALE			
	mm	4:1			
GENERAL TOLERANCES (UNLESS SPECIFIED)		EC NO: 704381 DRWN: FAYEW CHK'D: KLANG APPR: KLANG 2022/04/18 2022/05/16 2022/05/16			
ANGULAR TOL ± 0.5°		PRODUCT CUSTOMER DRAWING DOCUMENT NUMBER: SDA-43202 DOC TYPE: PSD DOC PART: 001 REVISION: L9			
4 PLACES ±		INITIAL REVISION:			
3 PLACES ±		DRWN: RFC_PLMIMP 2018/11/02			
2 PLACES ± 0.25		APPR: REDGLEY 2000/10/17			
1 PLACE ± 0.36		MATERIAL NUMBER: GENERAL MARKET			
0 PLACES ±		CUSTOMER: GENERAL MARKET			
DRAFT WHERE APPLICABLE MUST REMAIN WITHIN DIMENSIONS		THIRD ANGLE PROJECTION	DRAWING	SERIES	SHEET NUMBER
			C-SIZE	43202	2 OF 9

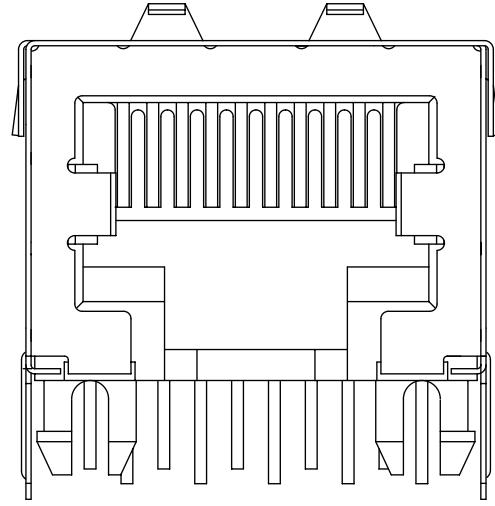
# SHIELDED MODULAR JACK W/O BOTTOM GROUND TABS

SIZE 8, LOADED 10 VERSION SHOWN

## SIDE/TOP GROUND TAB OPTIONS FOR SHIELDS



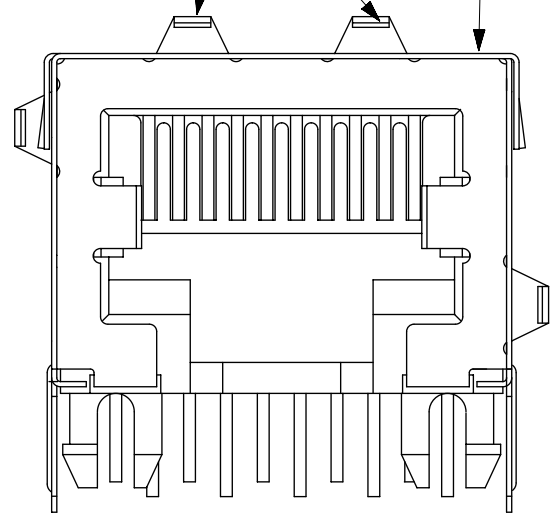
OPTION "E"  
NO TOP OR SIDE TABS



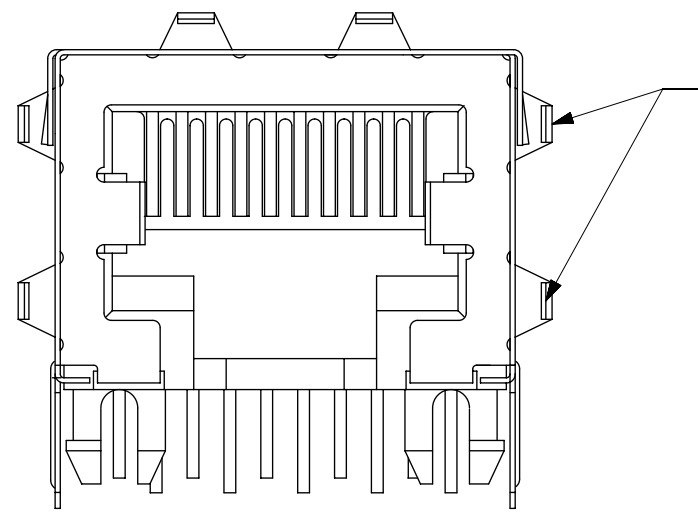
OPTION "F"  
TOP TABS

OPTIONAL GROUND TABS

SHIELDED MODULAR JACK ASSEMBLY  
SEE SHEET 6 FOR MATERIAL NO.

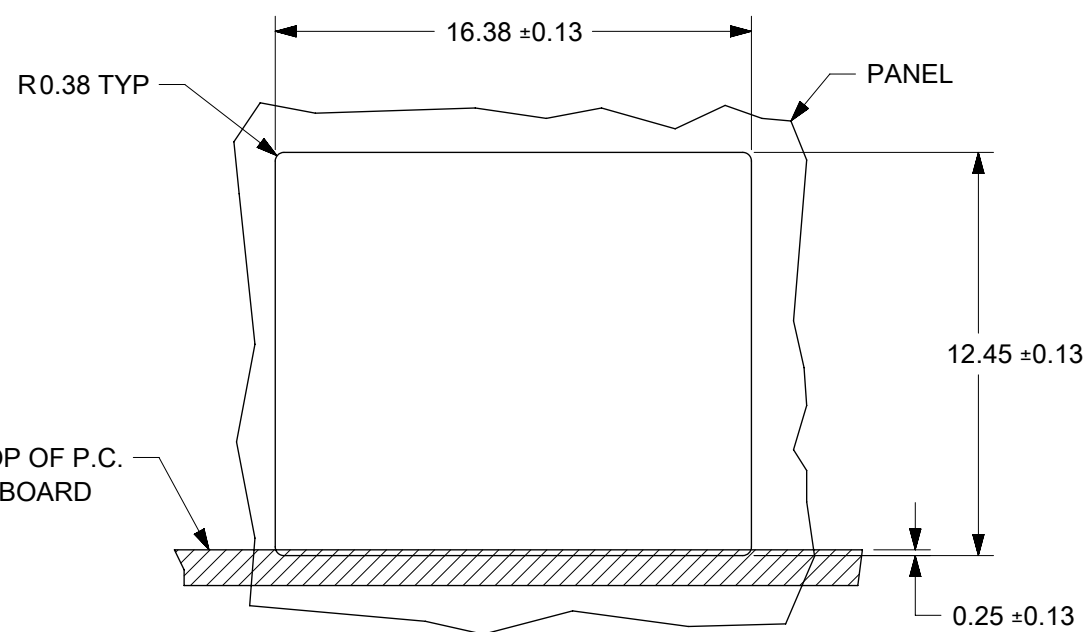


OPTION "G"  
TOP AND STAGGERED SIDE TABS



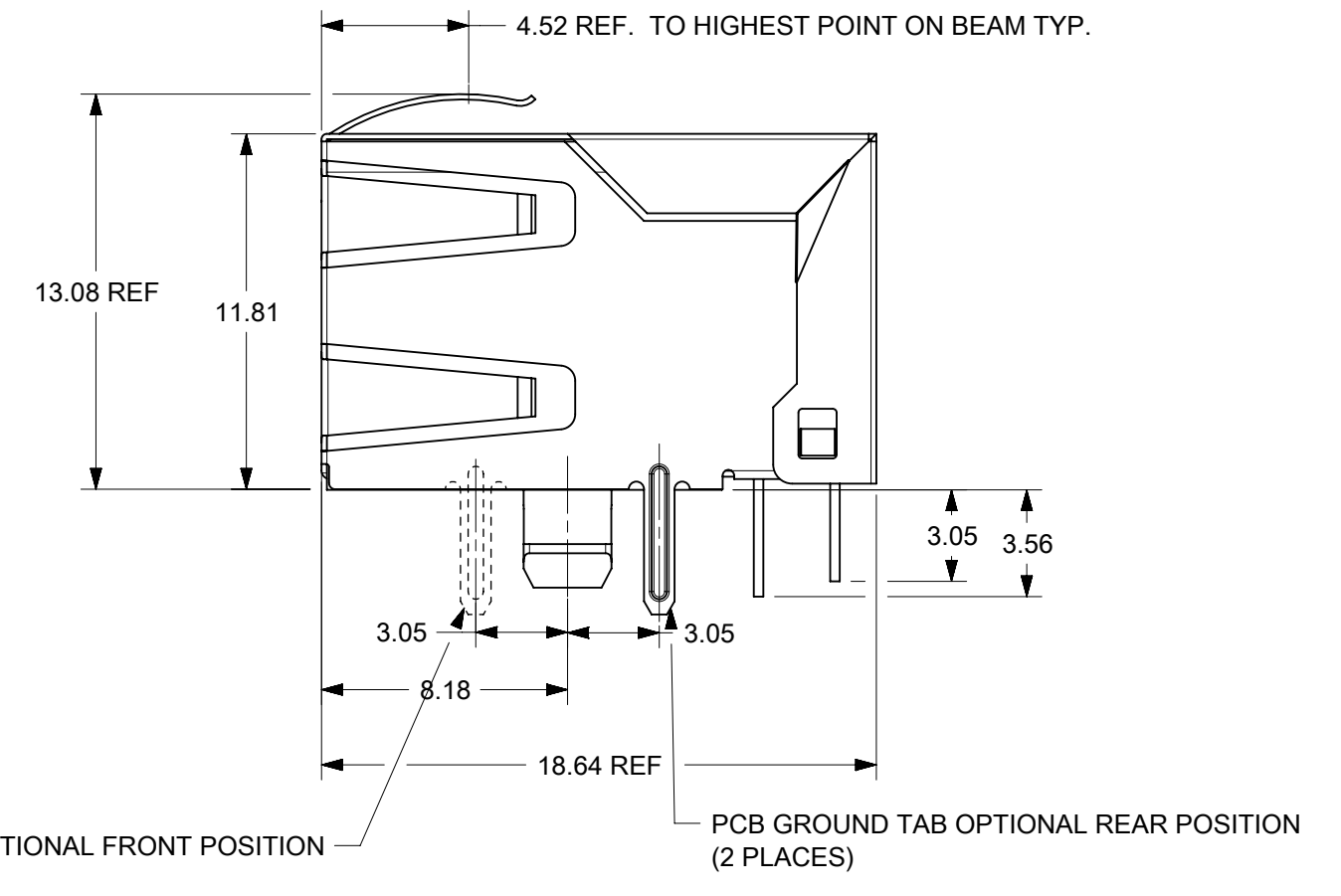
OPTION "H"  
TOP AND SIDE TABS

OPTIONAL SIDE  
GROUND TABS  
(2 PLACES)



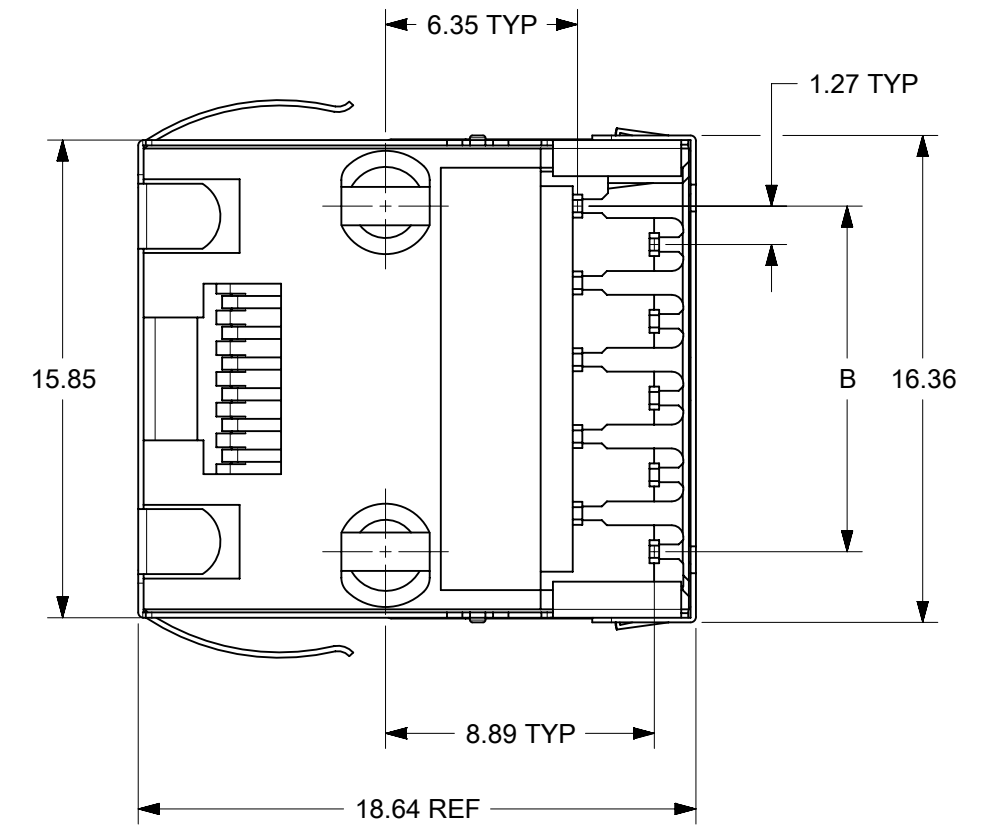
PANEL CUT-OUT  
(SHIELDED W/O BOTTOM GROUND TABS)

HOUSING SIZE	CIRCUIT SIZE	DIM. B
8	10	11.43±0.13
8	8	8.89±0.13



PCB GROUND TAB OPTIONAL FRONT POSITION  
(2 PLACES)

PCB GROUND TAB OPTIONAL REAR POSITION  
(2 PLACES)



FUNCTIONAL SYMBOLS	THIS DRAWING CONTAINS INFORMATION THAT IS PROPRIETARY TO MOLEX ELECTRONIC TECHNOLOGIES, LLC AND SHOULD NOT BE USED WITHOUT WRITTEN PERMISSION	
DIMENSION UNITS	SCALE	CURRENT REV DESC: MIGRATION TO NX
$\frac{F}{A} = 0$	mm	4:1
$\frac{E}{C} = 0$	GENERAL TOLERANCES (UNLESS SPECIFIED)	
$\frac{E}{P} = 0$	ANGULAR TOL $\pm 0.5^\circ$	
DIVISIONAL SYMBOLS	4 PLACES	$\pm$
	3 PLACES	$\pm$
	2 PLACES	$\pm 0.25$
	1 PLACE	$\pm 0.36$
	0 PLACES	$\pm$
DRAFT WHERE APPLICABLE MUST REMAIN WITHIN DIMENSIONS		THIRD ANGLE PROJECTION
DRAWING		SERIES
C-SIZE		43202
MATERIAL NUMBER		CUSTOMER
SDA-43202		GENERAL MARKET
DOCUMENT NUMBER		DOC TYPE   DOC PART   REVISION
SDA-43202		PSD   001   L9
SHEET NUMBER		3 OF 9

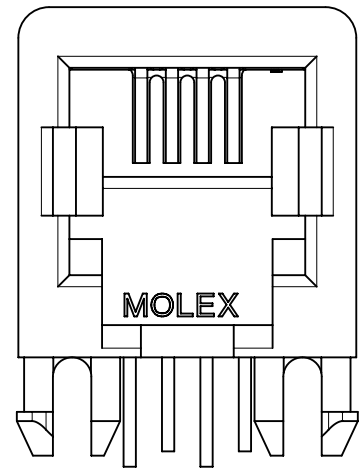
**molex**

ULTRA LOW PROFILE  
RIGHT ANGLE MODULAR JACK ASSEMBLY

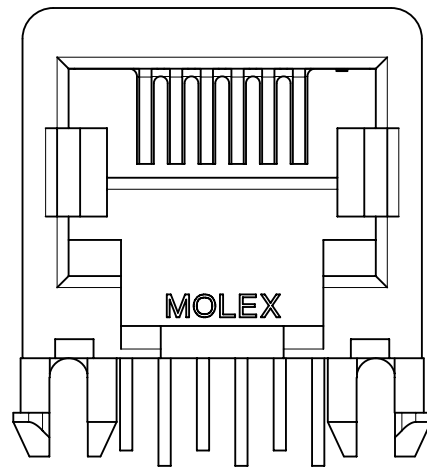
PRODUCT CUSTOMER DRAWING

# UNSHIELDED MODULAR JACKS

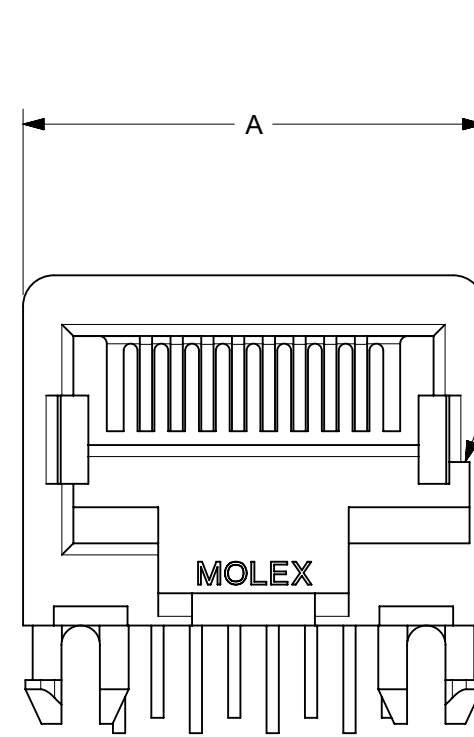
SIZE 8, LOADED 10 SHOWN



SIZE 4  
LOADED 4 SHOWN

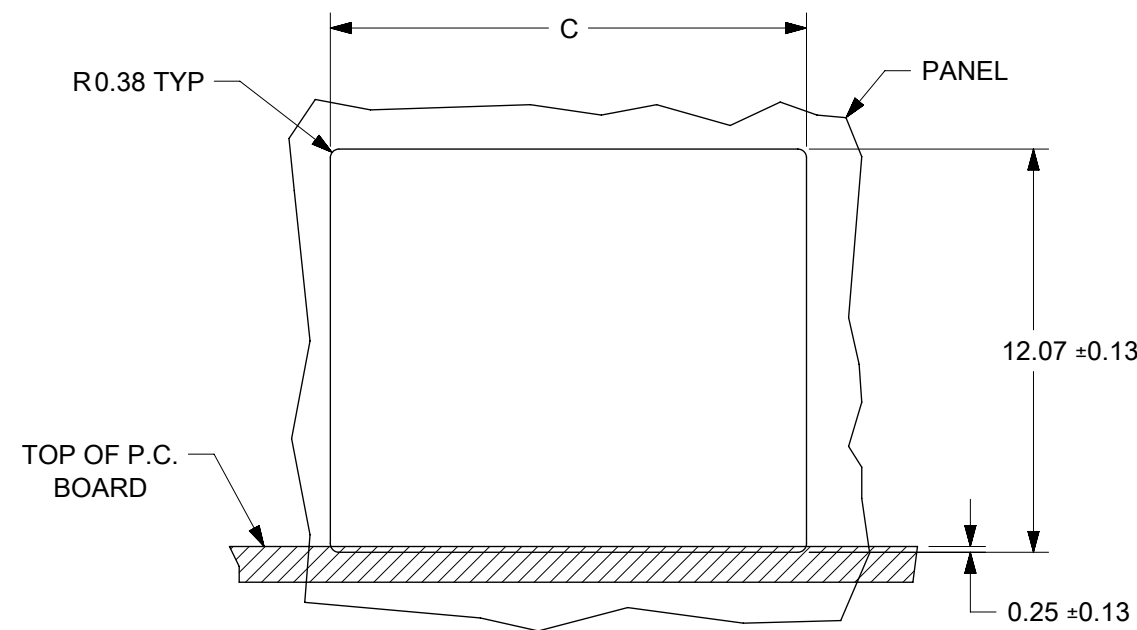
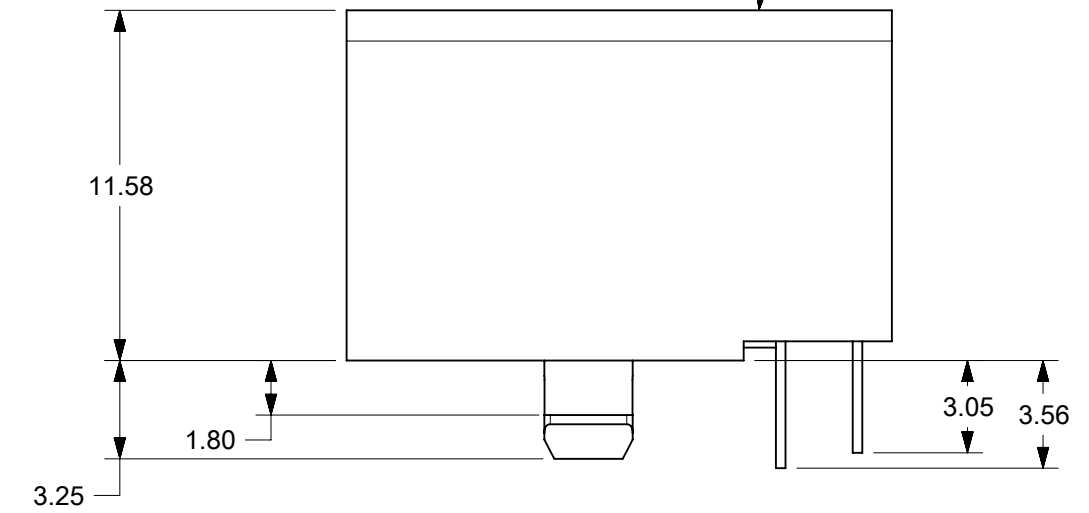


SIZE 6  
LOADED 6 SHOWN

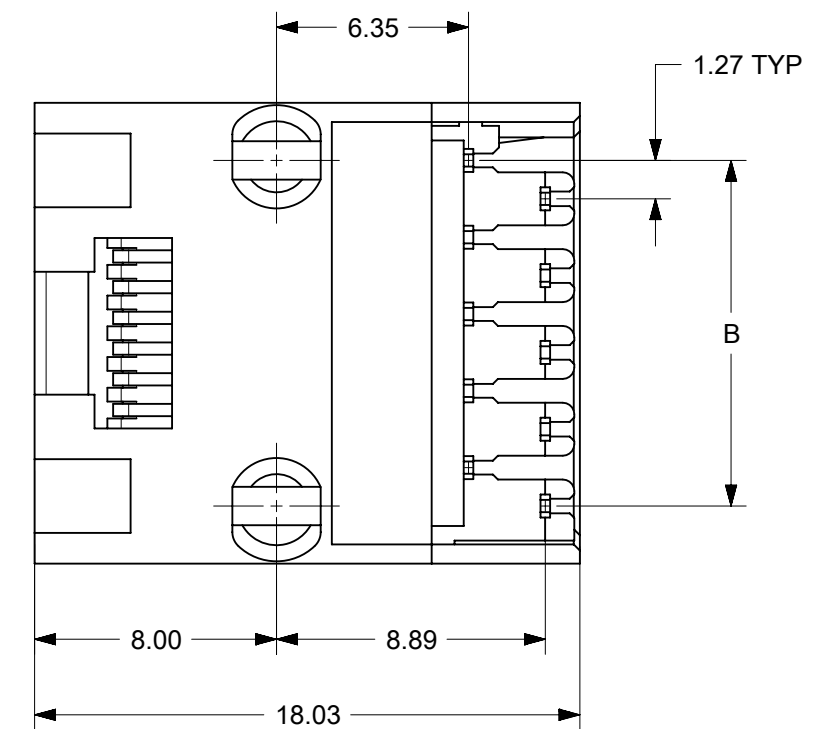


OPTIONAL KEYING SLOT  
(8 POSITION, UNSHIELDED HOUSING ONLY)

MODULAR JACK ASSEMBLY  
SEE SHEET 6 FOR MATERIAL NO.



PANEL CUT-OUT (UNSHIELDED)



HOUSING SIZE	LOADED CIRCUIT	A	B	C
4	4	11.18	3.81±0.13	11.68±0.13
4	2	11.18	1.27±0.13	11.68±0.13
6	6	13.21	6.35±0.13	13.72±0.13
6	4	13.21	3.81±0.13	13.72±0.13
6	2	13.21	1.27±0.13	13.72±0.13
8	10	15.24	11.43±0.13	15.75±0.13
8	8	15.24	8.89±0.13	15.75±0.13
8	6	15.24	6.35±0.13	15.75±0.13
8	4	15.24	3.81±0.13	15.75±0.13
8	2	15.24	1.27±0.13	15.75±0.13

FUNCTIONAL SYMBOLS	THIS DRAWING CONTAINS INFORMATION THAT IS PROPRIETARY TO MOLEX ELECTRONIC TECHNOLOGIES, LLC AND SHOULD NOT BE USED WITHOUT WRITTEN PERMISSION		
	DIMENSION UNITS	SCALE	CURRENT REV DESC: MIGRATION TO NX
$\frac{F}{A} = 0$	mm	4:1	<p><b>molex</b></p> <p>ULTRA LOW PROFILE RIGHT ANGLE MODULAR JACK ASSEMBLY</p> <p>PRODUCT CUSTOMER DRAWING</p>
$\frac{F}{C} = 0$	GENERAL TOLERANCES (UNLESS SPECIFIED)		
$\frac{F}{P} = 0$	ANGULAR TOL ± 0.5°		
DIVISIONAL SYMBOLS	4 PLACES ±	2022/04/18	
	3 PLACES ±	2022/05/16	EC NO: 704381
	2 PLACES ± 0.25	2022/05/16	DRWN: FAYEW
	1 PLACE ± 0.36		CHK'D: KLANG
	0 PLACES ±		APPR: KLANG
	DRAFT WHERE APPLICABLE MUST REMAIN WITHIN DIMENSIONS	THIRD ANGLE PROJECTION	INITIAL REVISION:
		DRAWING	DRWN: RFC_PLMIMP
		SERIES	2018/11/02
			2000/10/17
			APPR: REDGLE
			DOCUMENT NUMBER
			SDA-43202
			DOC TYPE
			PSD
			DOC PART
			001
			REVISION
			L9
			MATERIAL NUMBER
			CUSTOMER
			GENERAL MARKET
			SHEET NUMBER
			4 OF 9

SHIELDED MODULAR JACKS W/BOTTOM GROUND TABS (SHEET 2)								
NOT TOOLED "X"	ASSEMBLY MATERIAL NUMBER.	CONNECTOR SIZE	NOMBER OF CIRCUITS	SIDE/TOP PANEL GROUND TAB OPTION	PCB GROUND TAB POSITION	TERMINAL PLATING OPTION	PACKAGING OPTION	HOUSING COLOR
X	43202-8900	8	10	A	FRONT POSITION	A	TRAY	BLACK
X	43202-8901	8	10	B	FRONT POSITION	A	TRAY	
X	43202-8902	8	10	C	FRONT POSITION	A	TRAY	
X	43202-8903	8	10	D	FRONT POSITION	A	TRAY	
X	43202-8908	8	10	A	REAR POSITION	A	TRAY	
X	43202-8909	8	10	B	REAR POSITION	A	TRAY	
X	43202-8910	8	10	C	REAR POSITION	A	TRAY	
	43202-8911	8	10	D	REAR POSITION	A	TRAY	
	43202-8916	8	8	A	FRONT POSITION	A	TRAY	
	43202-8917	8	8	B	FRONT POSITION	A	TRAY	
X	43202-8918	8	8	C	FRONT POSITION	A	TRAY	
	43202-8919	8	8	D	FRONT POSITION	A	TRAY	
	43202-8924	8	8	A	REAR POSITION	A	TRAY	
X	43202-8925	8	8	B	REAR POSITION	A	TRAY	
X	43202-8926	8	8	C	REAR POSITION	A	TRAY	
	43202-8927	8	8	D	REAR POSITION	A	TRAY	

<b>FUNCTIONAL SYMBOLS</b> $\nabla_A = 0$ $\nabla_C = 0$ $\nabla_P = 0$	THIS DRAWING CONTAINS INFORMATION THAT IS PROPRIETARY TO MOLEX ELECTRONIC TECHNOLOGIES, LLC AND SHOULD NOT BE USED WITHOUT WRITTEN PERMISSION			
	<b>DIMENSION UNITS</b> mm	<b>SCALE</b> 1:1	CURRENT REV DESC: MIGRATION TO NX	
	GENERAL TOLERANCES (UNLESS SPECIFIED) ANGULAR TOL $\pm 0.5^\circ$		EC NO: 704381 DRWN: FAYEW CHK'D: KLANG APPR: KLANG	2022/04/18 2022/05/16 2022/05/16
	<b>DIVISIONAL SYMBOLS</b> 4 PLACES $\pm$ 3 PLACES $\pm$ 2 PLACES $\pm 0.25$ 1 PLACE $\pm 0.36$ 0 PLACES $\pm$		INITIAL REVISION: DRWN: RFC_PLMIMP APPR: REDGLE	2018/11/02 2000/10/17
DRAFT WHERE APPLICABLE MUST REMAIN WITHIN DIMENSIONS		THIRD ANGLE PROJECTION 	DRAWING C-SIZE	SERIES 43202
<b>DOCUMENT STATUS</b> P1 RELEASE DATE 2022/05/16 17:27:51		DOCUMENT NUMBER <b>SDA-43202</b>		DOC TYPE PSD
		DOC PART 001		REVISION L9
		MATERIAL NUMBER GENERAL MARKET		SHEET NUMBER 5 OF 9

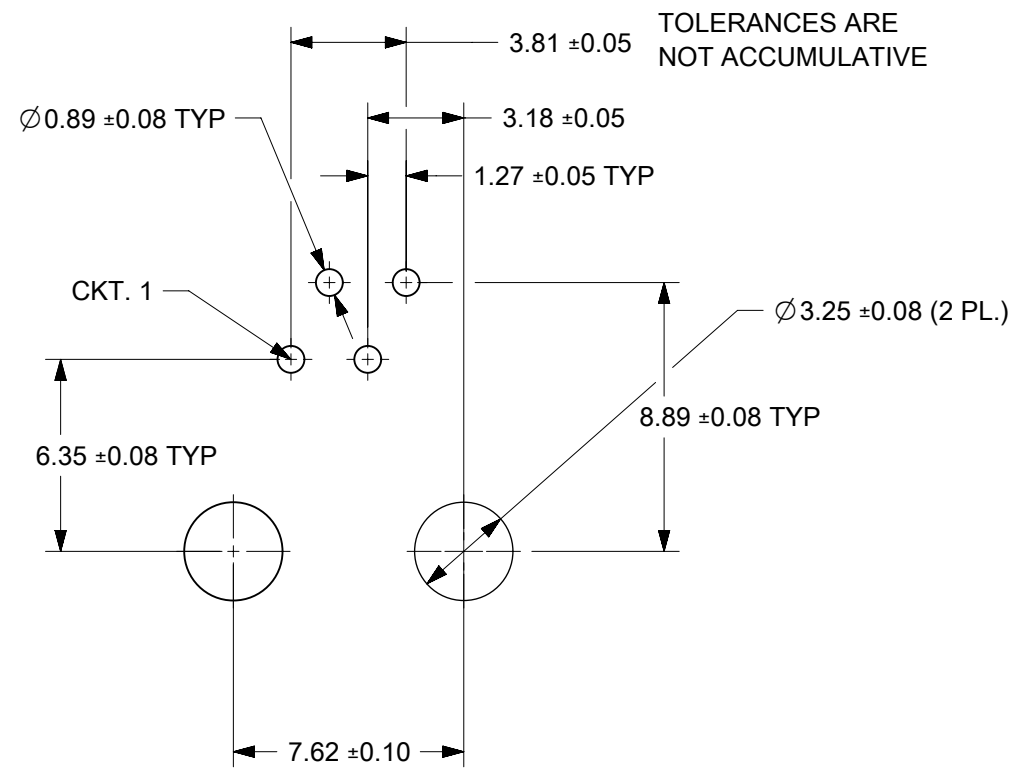
## SHIELDED MODULAR JACKS W/O BOTTOM GROUND TABS (SHEET 3)

NOT TOOLED "X"	ASSEMBLY MATERIAL NUMBER	CONNECTOR SIZE	NUMBER OF CIRCUITS	SIDE/TOP PANEL GROUND TAB OPTION	PCB GROUND TAB OPTION	TERMINAL PLATING OPTION	PACKAGING OPTION	HOUSING COLOR
X	43202-8800	8	10	E	FRONT POSITION	A	TRAY	BLACK
X	43202-8801	8	10	F	FRONT POSITION	A	TRAY	
X	43202-8802	8	10	G	FRONT POSITION	A	TRAY	
X	43202-8803	8	10	H	FRONT POSITION	A	TRAY	
X	43202-8808	8	10	E	REAR POSITION	A	TRAY	
X	43202-8809	8	10	F	REAR POSITION	A	TRAY	
X	43202-8810	8	10	G	REAR POSITION	A	TRAY	
	43202-8811	8	10	H	REAR POSITION	A	TRAY	
	43202-8816	8	8	E	FRONT POSITION	A	TRAY	
	43202-8817	8	8	F	FRONT POSITION	A	TRAY	
	43202-8818	8	8	G	FRONT POSITION	A	TRAY	
	43202-8819	8	8	H	FRONT POSITION	A	TRAY	
	43202-8824	8	8	E	REAR POSITION	A	TRAY	
	43202-8825	8	8	F	REAR POSITION	A	TRAY	
X	43202-8826	8	8	G	REAR POSITION	A	TRAY	
	43202-8827	8	8	H	REAR POSITION	A	TRAY	

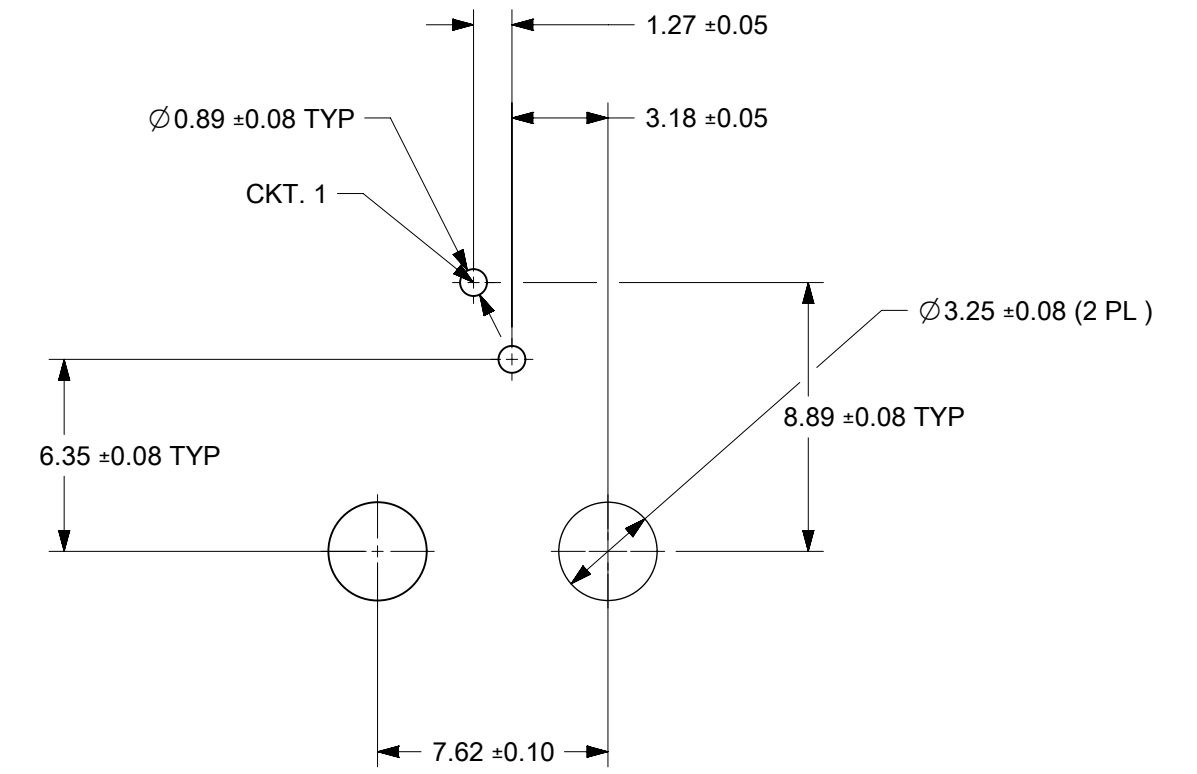
## UNSHIELDED MODULAR JACKS- (SHEET 4)

NOT TOOLED "X"	ASSEMBLY MATERIAL NUMBER	CONNECTOR SIZE	NUMBER OF CIRCUITS	TERMINAL PLATING OPTION	KEYING OPTION	PACKAGING OPTION	HOUSING COLOR
	43202-4101	4	4	A	NO	TRAY	BLACK
X	43202-4104	4	2	A	NO	TRAY	
	43202-6101	6	6	A	NO	TRAY	
X	43202-6102	6	6	B	NO	TRAY	
X	43202-6104	6	4	A	NO	TRAY	
	43202-6105	6	4	B	NO	TRAY	
	43202-6107	6	2	A	NO	TRAY	
X	43202-6110	6	6	B	NO	TUBE	
X	43202-6113	6	2	A	NO	TRAY	ORANGE
X	43202-6116	6	2	A	NO	TRAY	GREEN
	43202-8101	8	10	A	NO	TRAY	BLACK
	43202-8104	8	8	A	NO	TRAY	
X	43202-8105	8	8	B	NO	TRAY	
	43202-8113	8	8	A	YES	TRAY	
X	43202-8116	8	6	A	NO	TRAY	
	43202-8119	8	4	A	NO	TRAY	
X	43202-8122	8	2	A	NO	TRAY	
X	43202-8125	8	8	A	NO	TRAY	BLUE
X	43202-8504	8	8	A	NO	TUBE	BLACK
X	43202-8513	8	8	A	YES	TUBE	

FUNCTIONAL SYMBOLS	THIS DRAWING CONTAINS INFORMATION THAT IS PROPRIETARY TO MOLEX ELECTRONIC TECHNOLOGIES, LLC AND SHOULD NOT BE USED WITHOUT WRITTEN PERMISSION							
	DIMENSION UNITS	SCALE	CURRENT REV DESC: MIGRATION TO NX					
$\frac{F}{A} = 0$	mm	1:1	EC NO: 704381 DRWN: FAYEW 2022/04/18 CHK'D: KLANG 2022/05/16 APPR: KLANG 2022/05/16					
$\frac{F}{C} = 0$	GENERAL TOLERANCES (UNLESS SPECIFIED)							
$\frac{F}{P} = 0$	ANGULAR TOL $\pm 0.5^\circ$							
DIVISIONAL SYMBOLS	4 PLACES	$\pm$	INITIAL REVISION: DRWN: RFC_PLMIMP 2018/11/02 APPR: REDGLE 2000/10/17					
	3 PLACES	$\pm$						
	2 PLACES	$\pm 0.25$						
	1 PLACE	$\pm 0.36$						
	0 PLACES	$\pm$						
DRAFT WHERE APPLICABLE MUST REMAIN WITHIN DIMENSIONS		THIRD ANGLE PROJECTION	DRAWING	SERIES	DOCUMENT NUMBER	DOC TYPE	DOC PART	REVISION
			C-SIZE	43202	SDA-43202	PSD	001	L9
					MATERIAL NUMBER	CUSTOMER		SHEET NUMBER
						GENERAL MARKET		6 OF 9



**PC BOARD LAYOUT FOR 4 POSITION HOUSING**  
 (4 CIRCUIT FOOT PRINT SHOWN)  
 (COMPONENT SIDE OF BOARD)

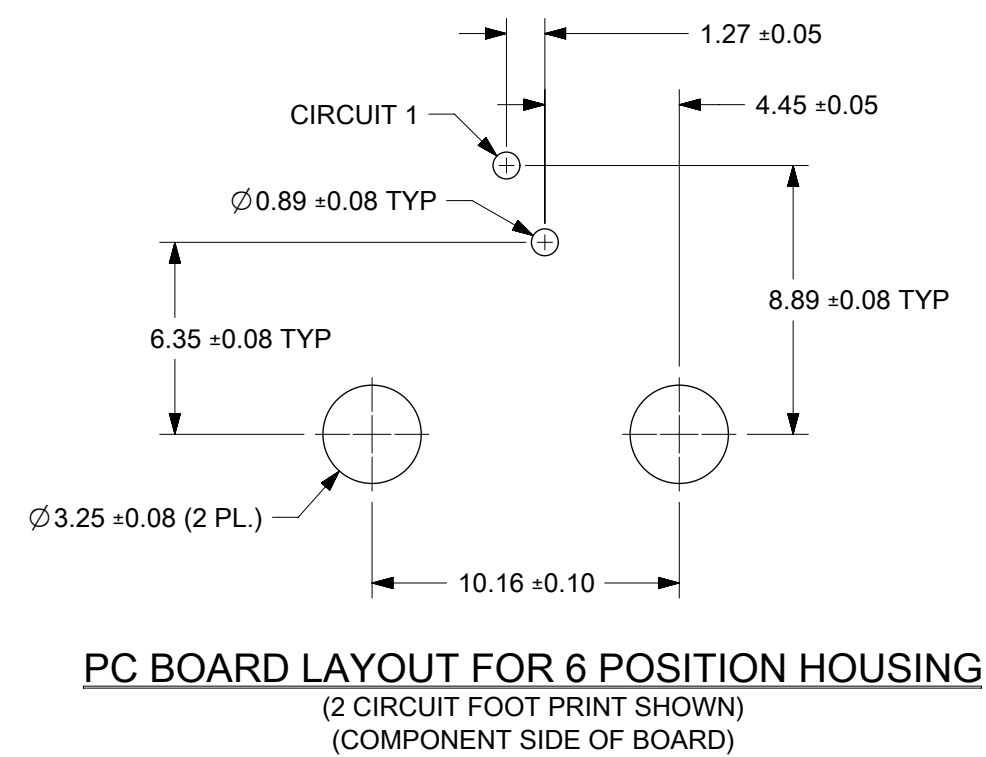
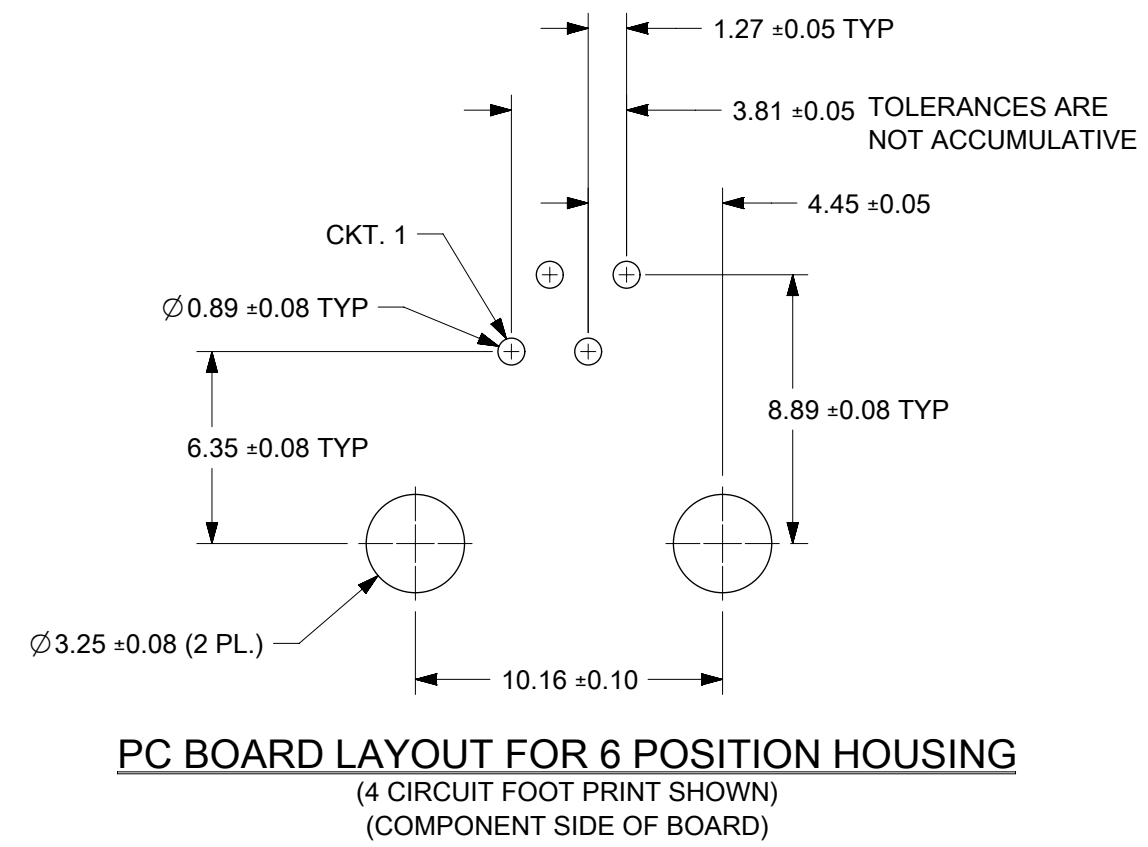
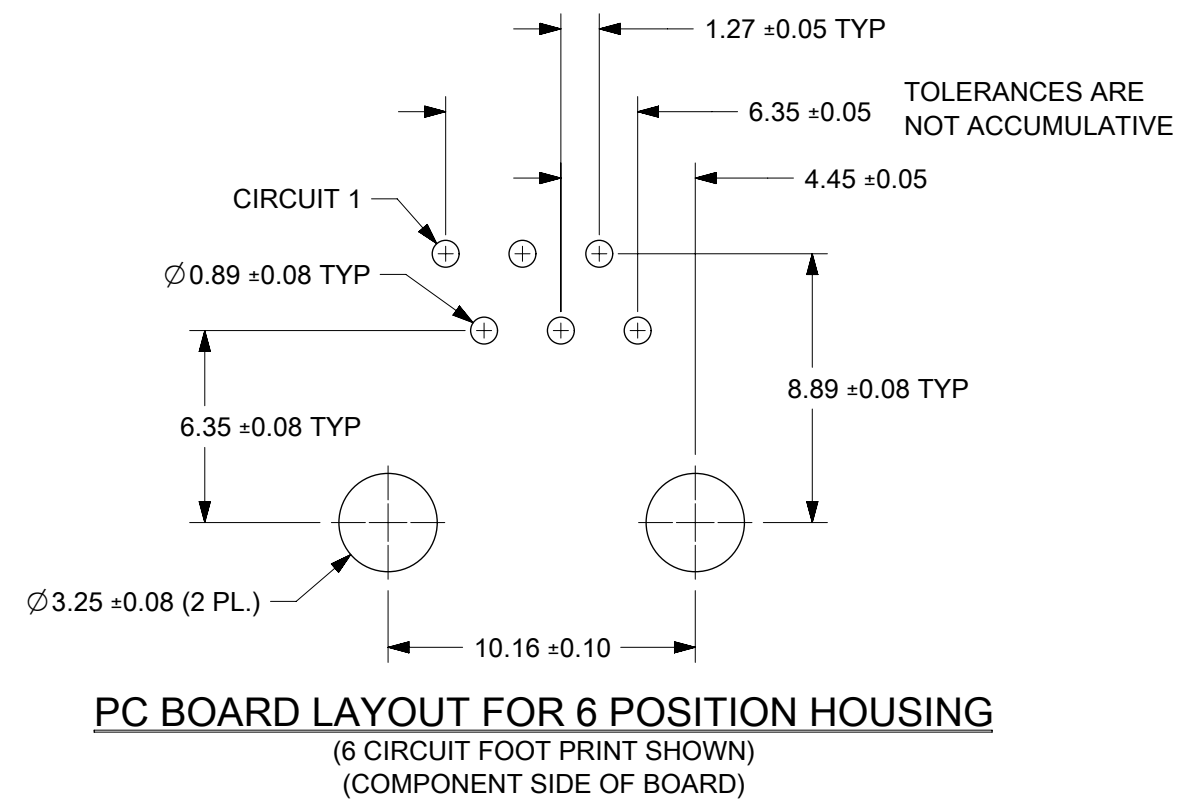


**PC BOARD LAYOUT FOR 4 POSITION HOUSING**  
 (2 CIRCUIT FOOT PRINT SHOWN)  
 (COMPONENT SIDE OF BOARD)

**NOTES:**

1. RECOMMENDED PCB THICKNESS: 1.57±0.13 mm.

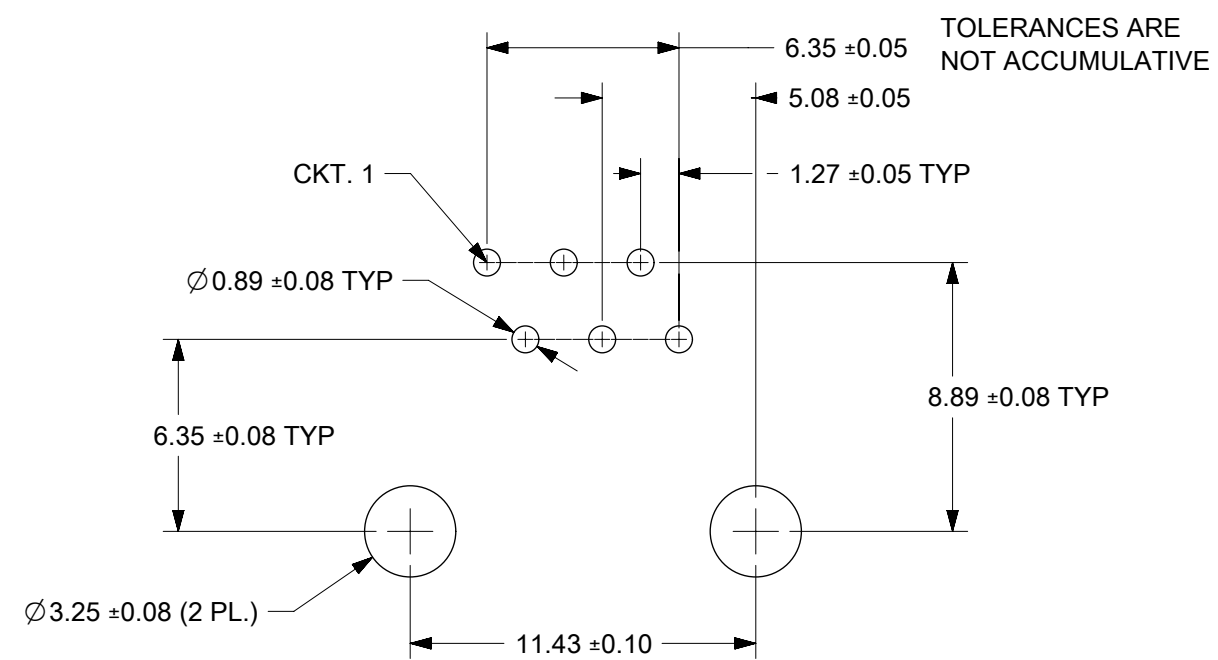
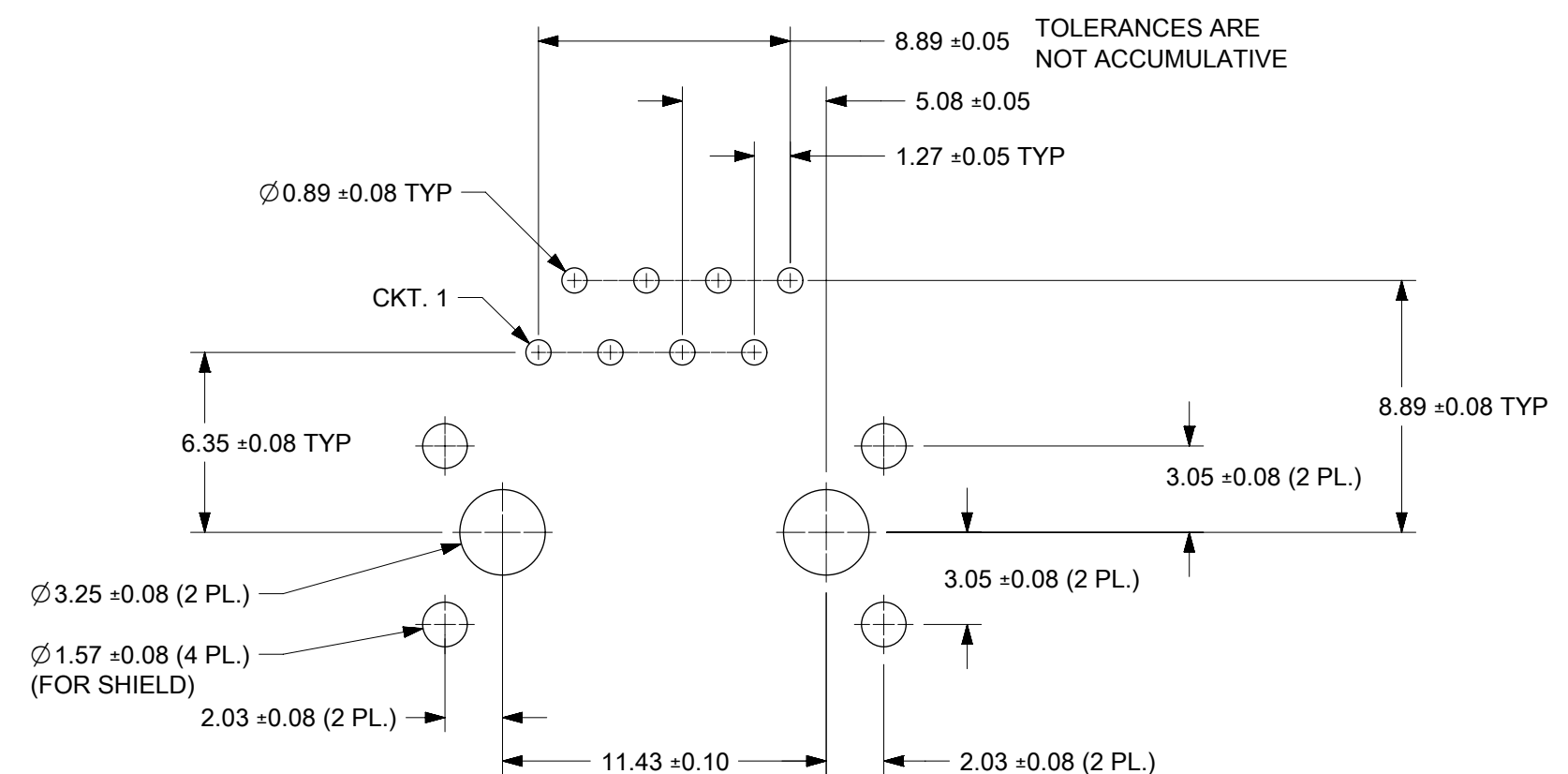
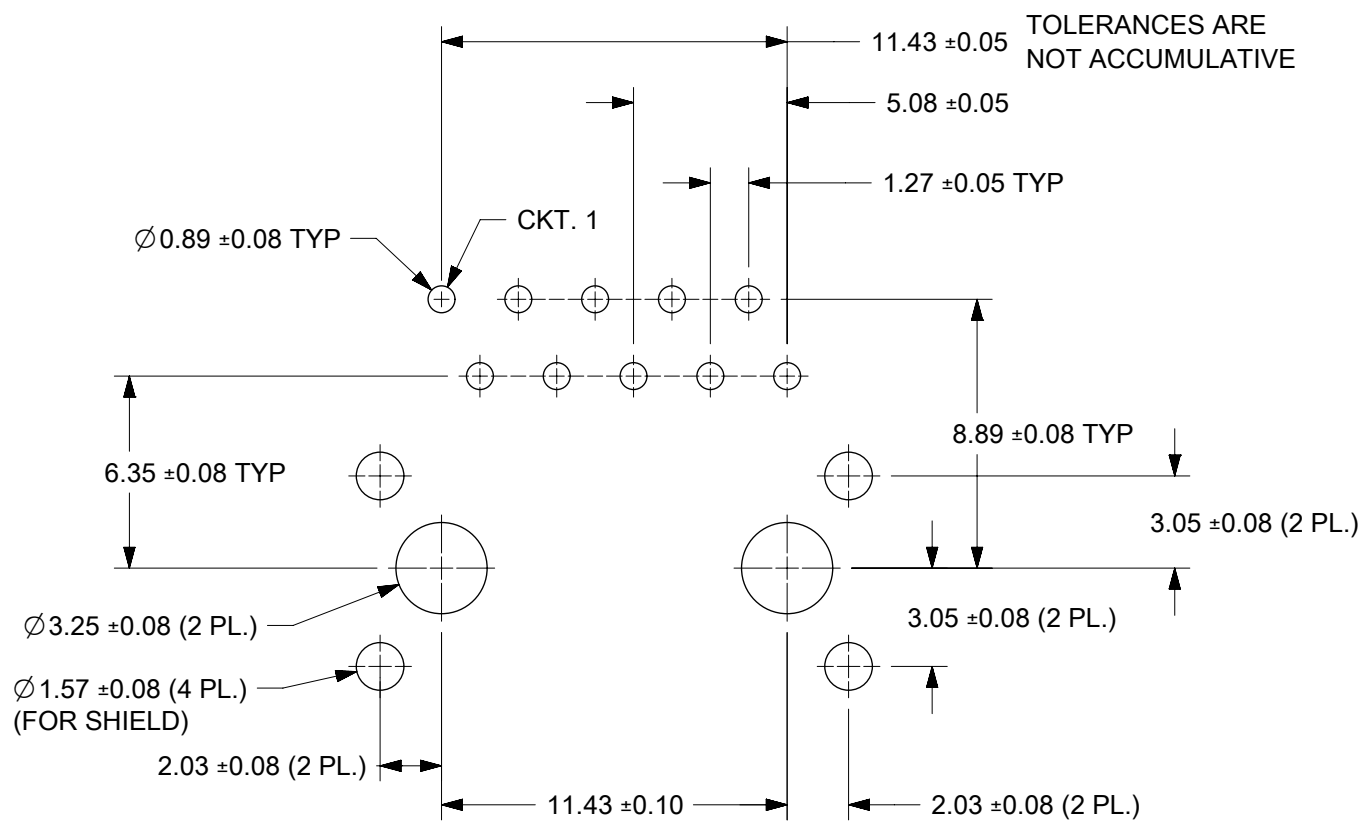
FUNCTIONAL SYMBOLS	THIS DRAWING CONTAINS INFORMATION THAT IS PROPRIETARY TO MOLEX ELECTRONIC TECHNOLOGIES, LLC AND SHOULD NOT BE USED WITHOUT WRITTEN PERMISSION							
	DIMENSION UNITS	SCALE	CURRENT REV DESC: MIGRATION TO NX					
$\nabla_A = 0$	mm	1:1	EC NO: 704381 DRWN: FAYEW 2022/04/18 CHK'D: KLANG 2022/05/16 APPR: KLANG 2022/05/16					
$\nabla_C = 0$	GENERAL TOLERANCES (UNLESS SPECIFIED)							
$\nabla_P = 0$	ANGULAR TOL ± 0.5°							
DIVISIONAL SYMBOLS	4 PLACES	±	INITIAL REVISION:					
	3 PLACES	±	DRWN: RFC_PLMIMP 2018/11/02					
	2 PLACES	± 0.25	APPR: REDGLE Y 2000/10/17					
	1 PLACE	± 0.36						
	0 PLACES	±						
DRAFT WHERE APPLICABLE MUST REMAIN WITHIN DIMENSIONS		THIRD ANGLE PROJECTION	DRAWING	SERIES	DOCUMENT NUMBER	DOC TYPE	DOC PART	REVISION
			C-SIZE	43202	SDA-43202	PSD	001	L9
					MATERIAL NUMBER	CUSTOMER	SHEET NUMBER	
						GENERAL MARKET	7 OF 9	




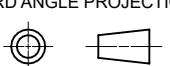
NOTES:  
1. RECOMMENDED PCB THICKNESS: 1.57±0.13 mm.

FUNCTIONAL SYMBOLS	THIS DRAWING CONTAINS INFORMATION THAT IS PROPRIETARY TO MOLEX ELECTRONIC TECHNOLOGIES, LLC AND SHOULD NOT BE USED WITHOUT WRITTEN PERMISSION						
	DIMENSION UNITS	SCALE	CURRENT REV DESC: MIGRATION TO NX				
$\frac{F}{A} = 0$	mm	1:1	<b>molex</b> ULTRA LOW PROFILE RIGHT ANGLE MODULAR JACK ASSEMBLY PRODUCT CUSTOMER DRAWING				
$\frac{F}{C} = 0$	GENERAL TOLERANCES (UNLESS SPECIFIED)						
$\frac{F}{P} = 0$	ANGULAR TOL ± 0.5°						
DIVISIONAL SYMBOLS	4 PLACES	±	EC NO: 704381				
	3 PLACES	±	DRWN: FAYEW 2022/04/18				
	2 PLACES	± 0.25	CHK'D: KLANG 2022/05/16				
	1 PLACE	± 0.36	APPR: KLANG 2022/05/16				
0 PLACES	±	INITIAL REVISION:	DOCUMENT NUMBER	DOC TYPE	DOC PART	REVISION	
			DRWN: RFC_PLMIMP 2018/11/02	SDA-43202	PSD	001	L9
			APPR: REDGLE 2000/10/17				
DRAFT WHERE APPLICABLE MUST REMAIN WITHIN DIMENSIONS	THIRD ANGLE PROJECTION	DRAWING	SERIES	MATERIAL NUMBER	CUSTOMER	SHEET NUMBER	
		C-SIZE	43202		GENERAL MARKET	8 OF 9	





NOTES:  
1. RECOMMENDED PCB THICKNESS: 1.57±0.13 mm.

FUNCTIONAL SYMBOLS	THIS DRAWING CONTAINS INFORMATION THAT IS PROPRIETARY TO MOLEX ELECTRONIC TECHNOLOGIES, LLC AND SHOULD NOT BE USED WITHOUT WRITTEN PERMISSION										
	DIMENSION UNITS	SCALE	CURRENT REV DESC: MIGRATION TO NX							 ULTRA LOW PROFILE RIGHT ANGLE MODULAR JACK ASSEMBLY	
mm	1:1	GENERAL TOLERANCES (UNLESS SPECIFIED)		EC NO: 704381					2022/04/18		
ANGULAR TOL	± 0.5°	4 PLACES ±		DRWN: FAYEW					2022/05/16		
DIVISIONAL SYMBOLS	3 PLACES ±		CHK'D: KLANG					2022/05/16		PRODUCT CUSTOMER DRAWING	
	2 PLACES ± 0.25		APPR: KLANG					2022/05/16		DOCUMENT NUMBER	
	1 PLACE ± 0.36		INITIAL REVISION:					2018/11/02		SDA-43202	
	0 PLACES ±		DRWN: RFC_PLMIMP					2000/10/17		DOC TYPE   DOC PART   REVISION	
DRAFT WHERE APPLICABLE MUST REMAIN WITHIN DIMENSIONS		THIRD ANGLE PROJECTION		DRAWING		SERIES		MATERIAL NUMBER		CUSTOMER	
				C-SIZE		43202		GENERAL MARKET		SHEET NUMBER	
										9 OF 9	