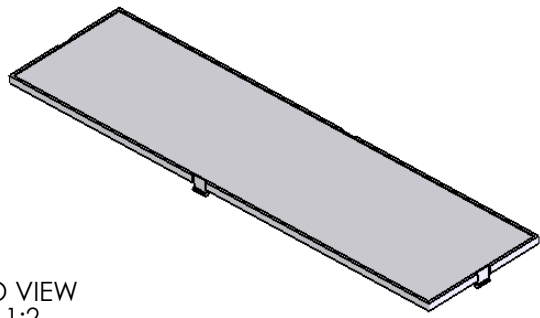


SECTION A-A
SCALE 1 : 1



ISO VIEW
1:2

 JAMES CARTER RD, MILDENHALL, SUFFOLK. IP28 7DE TEL: 01638 716101 FAX: 01638 716554 EMAIL: Sales@CamdenBoss.com WEB: www.CamdenBoss.com				UNLESS OTHERWISE SPECIFIED: DIMENSIONS ARE IN MILLIMETERS		DO NOT SCALE DRAWING		REVISION. O			
				GENERAL TOLERANCES +/- 0.2		FINISH. SMOOTH		TITLE: GENERAL ASSEMBLY DRG FOR CNMB SERIES			
DRAWN		NAME		SIGNED		DATE		MATERIAL.		DWG NO.	
L. SUBKHANKULOVA		LS		26/10/10		UV94-VO PC		CNMB-9PG		A4	
CHK'D		STUART HARDINGE		SJK		26/10/10		PROJECTION.		SCALE: 1 : 2	
								SHEET 1 OF 1			