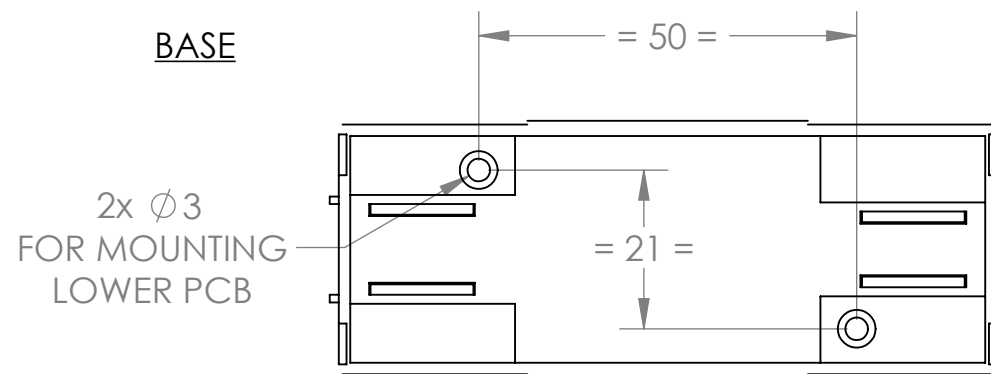
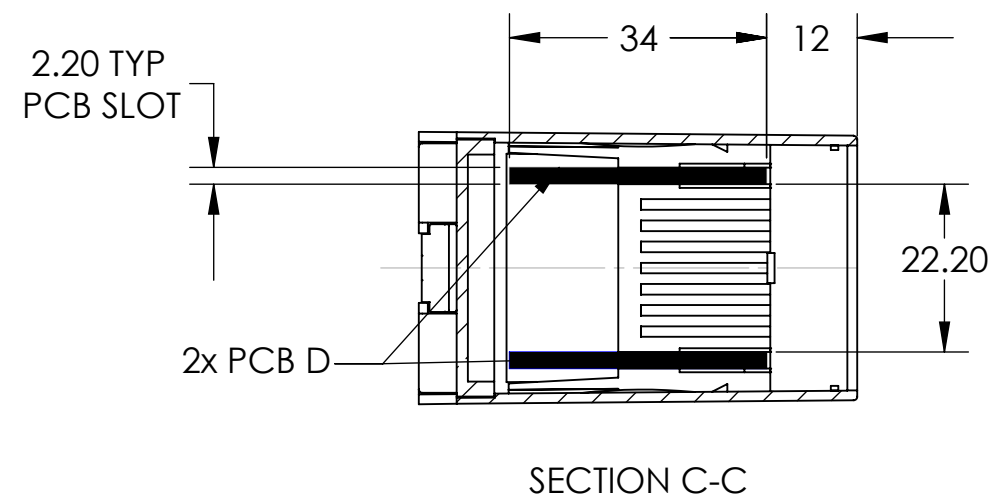
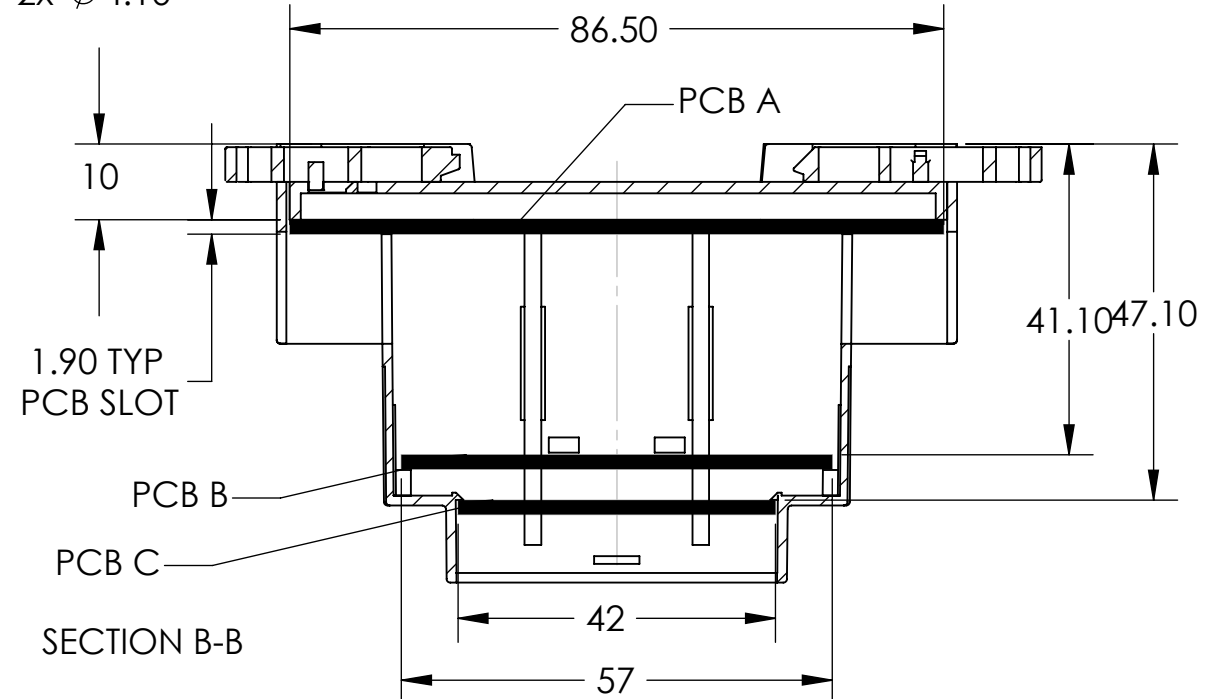
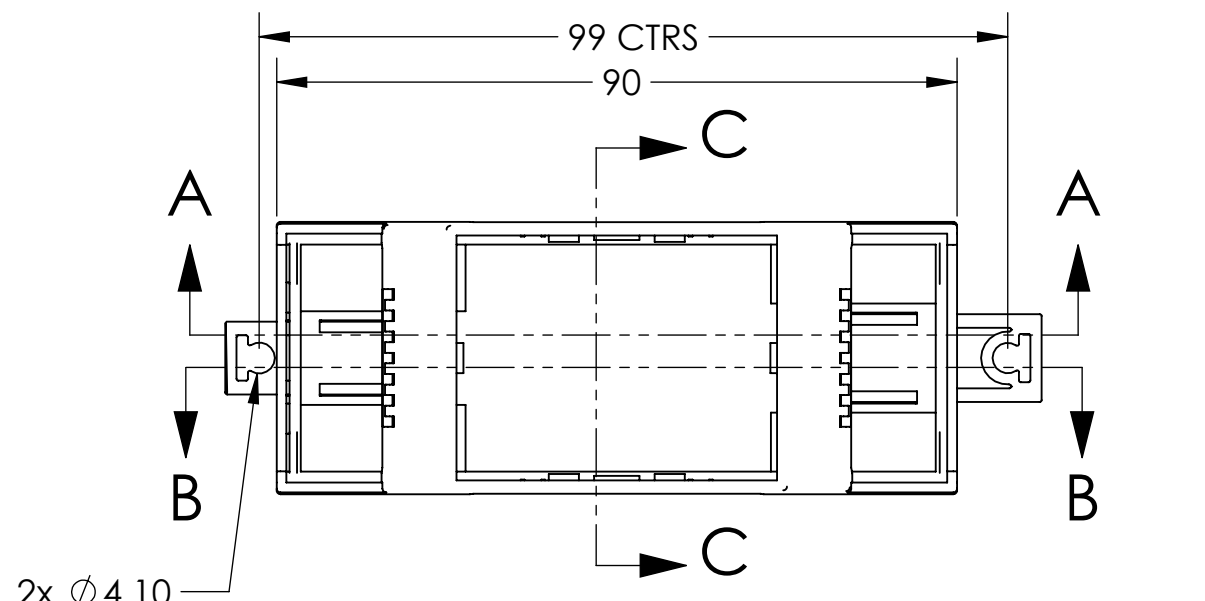


PCB DIMENSIONS (mm)	
A	86.5 x 33
B	57 x 32
C	42 x 32
D	34 x 59.6
E	40 x 33



**CAMDENBOSS**  
ELECTRONICS & ENCLOSURES

JAMES CARTER RD, MILDENHALL, SUFFOLK, IP28 7DE  
TEL: 01638 716101 FAX: 01638 716554  
EMAIL: Sales@CamdenBoss.com  
WEB: www.CamdenBoss.com

NAME	SIGNATURE	DATE
M.WALLACE	MJW	07/10/10
L.SUBKHANKULOVA	LS	07/10/10

UNLESS OTHERWISE SPECIFIED:  
DIMENSIONS ARE IN MILLIMETERS

FINISH: **SMOOTH**

MATERIAL: **UV94-VO PC**

DO NOT SCALE DRAWING		REVISION: 0
TITLE:	<b>GNL ASSY DGR FOR CNMB SERIES</b>	
DWG NO.	<b>CNMB-2V-2</b>	<b>A3</b>
SCALE: 1:1	SHEET 1 OF 1	