



AC coil operating

AC operating voltage

of 50/60Hz coil powered at 50Hz

pick-up

max %Us 110

drop-out

min %Us 20

max %Us 55

of 50/60Hz coil powered at 60Hz

pick-up

min %Us 85

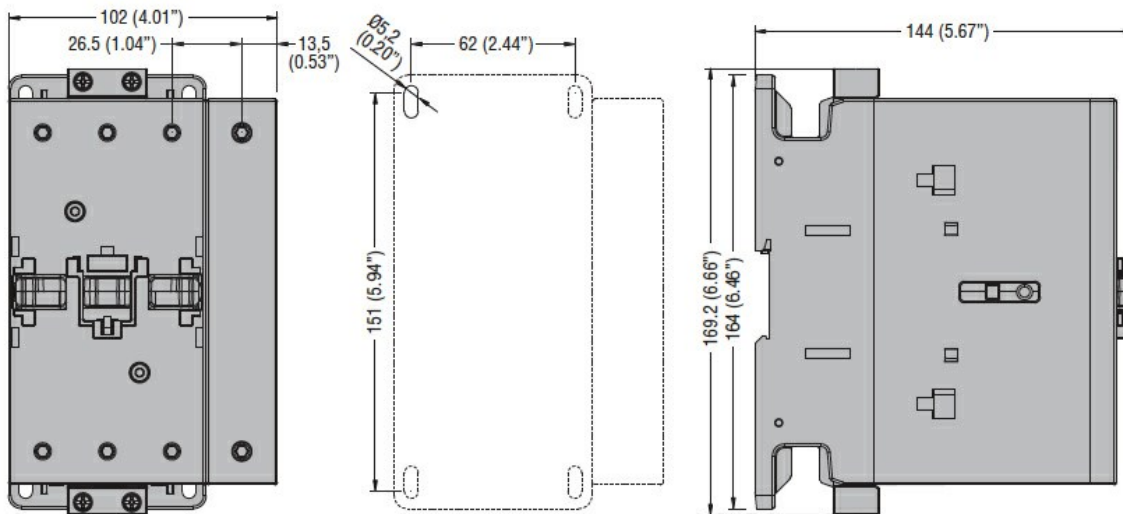
max %Us 110

drop-out

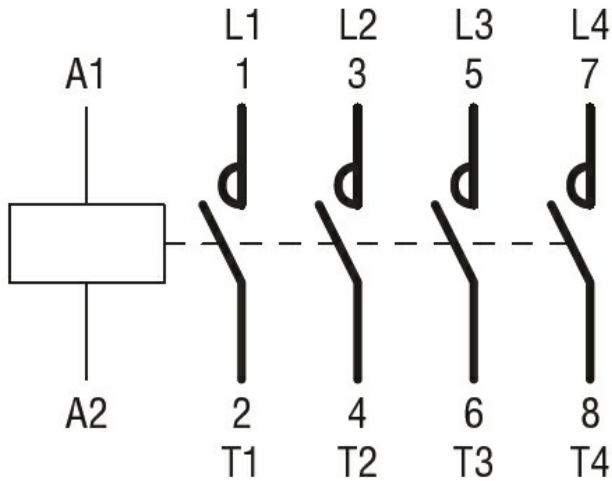
min %Us 40

max %Us 55

Dimensions



Wiring diagrams



Certifications and compliance

Compliance

CSA C22.2 n° 60947-1

CSA C22.2 n° 60947-4-1

IEC/EN 60947-1

IEC/EN 60947-4-1

UL 60947-1

UL 60947-4-1

Certifications

CCC

cULus

EAC

ETIM 6 classification

EC000066 - Power contactor, AC switching