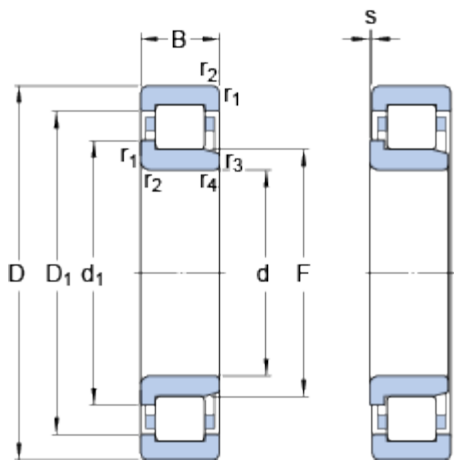


NJ 210 ECP

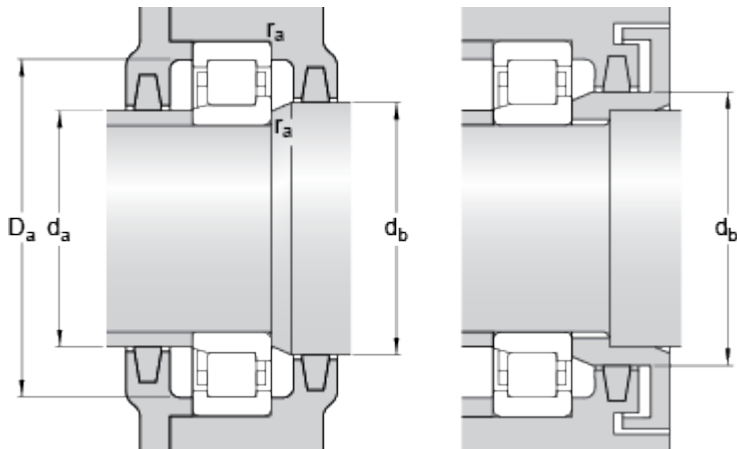
Popular item
SKF Explorer

Dimensions



| | | |
|------------------|----------|----|
| d | 50 | mm |
| D | 90 | mm |
| B | 20 | mm |
| d ₁ | ≈ 64 | mm |
| D ₁ | ≈ 77.4 | mm |
| F | 59.5 | mm |
| r _{1,2} | min. 1.1 | mm |
| r _{3,4} | min. 1.1 | mm |
| s | max. 1.5 | mm |

Abutment dimensions



| | | |
|----------------|-----------|----|
| d _a | min. 57 | mm |
| d _a | max. 57.5 | mm |
| d _b | min. 66 | mm |
| D _a | max. 82.4 | mm |
| r _a | max. 1 | mm |

Calculation data

| | | | |
|---------------------------|----------------|------|-------|
| Basic dynamic load rating | C | 73.5 | kN |
| Basic static load rating | C ₀ | 69.5 | kN |
| Fatigue load limit | P _u | 8.8 | kN |
| Reference speed | | 8500 | r/min |
| Limiting speed | | 9000 | r/min |
| Calculation factor | k _r | 0.15 | |
| Limiting value | e | 0.2 | |
| Axial load factor | Y | 0.6 | |

Mass

| | | | |
|--------------|--|------|----|
| Mass bearing | | 0.49 | kg |
|--------------|--|------|----|

Associated products

Angle ring

HJ 210 EC
