

1.6 Ω On Resistance, ± 5 V, +12 V, and +3 V Quad SPST Switches

DESCRIPTION

The DG9424E, DG9425E, DG9426E are monolithic quad single-pole-single-throw analog switches. The G9424E and DG9425E differ only in that they respond to opposite logic levels. The DG9426E has two normally open and two normally closed switches. It can be given various configurations, including four SPST, two SPDT, and one DPDT.

Using BiCMOS wafer fabrication technology allows the DG9424E, DG9425E, and DG9426E to operate on single and dual supplies. Single supply voltage ranges from 3 V to 16 V while dual supply operation is recommended with ± 3 V to ± 8 V. Each switch conducts equally well in both direction when on, and blocks input voltages up to the supply levels when off.

The low and flat on resistance over the full input signal voltage rang bring excellent linearity, reduce insertion loss and signal distortion, make them ideal for data acquisition and programmable gain control applications. These switch characters also make them ideal fit for audio signal switch and reed relay replacement.

The DG9424E, DG9425E, DG9426E feature low power dissipation, fast switching speed, and low voltage logic control threshold. Proprietary design enables the low charge injection that minimize the switching transient.

Operation temperature is specified from -40 °C to $+85$ °C. The DG9424E, DG9425E, DG9426E are available in 16 lead TSSOP packages.

FEATURES

- 3 V to 16 V single supply or ± 3 V thru ± 8 V dual supply operation
- 1.6 Ω typical on resistance
- 3 V logic compatible for control
- Bi-directional rail to rail signal switching
- Fast switching speed
- < 0.2 nA switch on leakage
- Break-before-make switching - DG9426

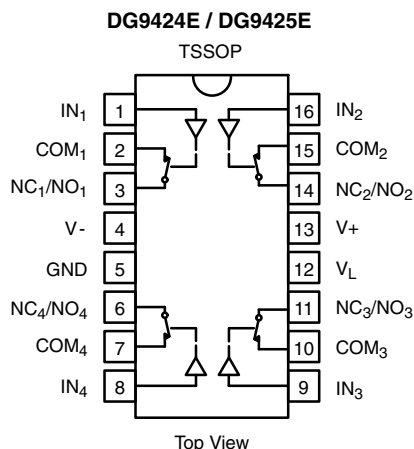
BENEFITS

- Wide operation voltage range
- Low signal errors and distortion
- Fast switching time
- Simple interfacing

APPLICATIONS

- Automatic test equipment
- Data acquisition systems
- Meters and instruments
- Medical and healthcare systems
- Communication systems
- Audio and video signal routing
- Relay replacement
- Battery powered systems
- Computer peripherals
- Audio and video signal routing

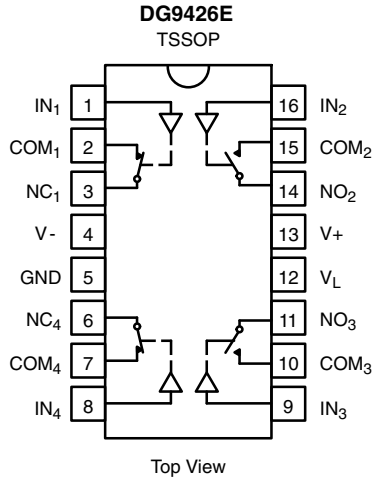
FUNCTIONAL BLOCK DIAGRAM AND PIN CONFIGURATION



TRUTH TABLE		
LOGIC	DG9424E	DG9425E
0	OFF	ON
1	ON	OFF



FUNCTIONAL BLOCK DIAGRAM AND PIN CONFIGURATION



TRUTH TABLE		
LOGIC	SW ₁ , SW ₄	SW ₂ , SW ₃
0	ON	OFF
1	OFF	ON

ORDERING INFORMATION				
TEMP. RANGE	PACKAGE	PART NUMBER	PART MARKING	STD PACK QUANTITY
-40 °C to +85 °C	16-Pin TSSOP	DG9424EDQ-T1-GE3	9424E	Tape and Reel 3000 Units
		DG9425EDQ-T1-GE3	9425E	Tape and Reel 3000 Units
		DG9426EDQ-T1-GE3	9426E	Tape and Reel 3000 Units

ABSOLUTE MAXIMUM RATINGS			
PARAMETER	LIMIT		UNIT
V+ to V-	-0.3 to +18		V
GND to V-	18		
V _L	(GND - 0.3) to (V+) + 0.3		
IN, COM, NC, NO ^a	(V-) - 0.3 to (V+) + 0.3		
Continuous Current (NO, NC, COM Pins)	100		mA
Peak Current, S or D (Pulsed 1 ms, 10 % Duty Cycle)	200		
Storage Temperature	-65 to +150		°C
Power Dissipation (Package) ^b	16-Pin TSSOP ^c	450	mW
Thermal Resistance ^b		178	°C/W
ESD Human Body Model (HBM); per ANSI / ESDA / JEDEC [®] JS-001	>1500		V
Latch Up Current, per JESD78D	400		mA

Notes

- a. Signals on NC, NO, COM or IN exceeding V+ or V- will be clamped by internal diodes. Limit forward diode current to maximum current ratings.
- b. All leads welded or soldered to PC board.
- c. Derate 7 mW/°C above 25 °C.

Stresses beyond those listed under "Absolute Maximum Ratings" may cause permanent damage to the device. These are stress ratings only, and functional operation of the device at these or any other conditions beyond those indicated in the operational sections of the specifications is not implied. Exposure to absolute maximum rating conditions for extended periods may affect device reliability.



SPECIFICATIONS ^a Single Supply 12 V							
PARAMETER	SYMBOL	TEST CONDITIONS UNLESS OTHERWISE SPECIFIED V ₊ = 12 V, V ₋ = 0 V V _L = 5 V, V _{IN} = 2.4 V, 0.8 V ^f	TEMP. ^b	LIMITS -40 °C to +85 °C			UNIT
				MIN. ^d	TYP. ^c	MAX. ^d	
Analog Switch							
Analog Signal Range ^e	V _{ANALOG}		Full	0	-	12	V
On-Resistance	R _{ON}	V ₊ = 10.8 V, V ₋ = 0 V I _{NO} , I _{NC} = 50 mA, V _{COM} = 2/9 V	Room	-	1.6	3	Ω
			Full	-	-	4	
Digital Control							
Input Current	I _{INL} or I _{INH}		Full	-1	0.01	1	μA
Dynamic Characteristics							
Turn-On Time ^e	t _{ON}	R _L = 300 Ω, C _L = 35 pF V _{NO} , V _{NC} = 5 V, see fig. 2	Room	-	36	51	ns
			Full	-	-	65	
Turn-Off Time ^e	t _{OFF}		Room	-	20	35	
			Full	-	-	44	
Break-Before-Make Time Delay ^e	t _D	DG9426E only, V _{NO} , V _{NC} = 5 V R _L = 300 Ω, C _L = 35 pF	Room	2	-	-	
Charge Injection ^e	Q _{INJ}	V _g = 0 V, R _g = 0 Ω, C _L = 1 nF	Room	-	38	-	pC
Off-Isolation ^e	OIRR	R _L = 50 Ω, C _L = 5 pF f = 1 MHz	Room	-	-56	-	dB
Channel-to-Channel Crosstalk ^e	X _{TALK}		Room	-	-77	-	
NO, NC Off Capacitance ^e	C _{NO(off)}	f = 1 MHz	Room	-	49	-	pF
	C _{NC(off)}						
COM Off Capacitance ^e	C _{COM(off)}		Room	-	37	-	
Channel On Capacitance ^e	C _{COM(on)}		Room	-	89	-	
Power Supplies							
Positive Supply Current	I ₊	V _{IN} = 0 or V _L	Room	-	0.02	1	μA
			Full	-	-	5	
Negative Supply Current	I ₋		Room	-1	-0.002	-	
			Full	-5	-	-	
Logic Supply Current	I _L		Room	-	0.002	1	
			Full	-	-	5	
Ground Current	I _{GND}		Room	-1	-0.002	-	
			Full	-5	-	-	



SPECIFICATIONS ^a Dual Supply ± 5 V								
PARAMETER	SYMBOL	TEST CONDITIONS UNLESS OTHERWISE SPECIFIED $V_+ = 5$ V, $V_- = 5$ V $V_L = 5$ V, $V_{IN} = 2.4$ V, 0.8 V ^f	TEMP. ^b	LIMITS -40 °C to +85 °C			UNIT	
				MIN. ^d	TYP. ^c	MAX. ^d		
Analog Switch								
Analog Signal Range ^e	V_{ANALOG}		Full	-5		5	V	
On-Resistance	R_{ON}	$V_+ = 4.5$ V, $V_- = -4.5$ V $I_{NO}, I_{NC} = 50$ mA	Room	-	1.9	3.3	Ω	
			Full	-	-	4.3		
Switch Off Leakage Current	$I_{NO(off)}$	$V_+ = 5.5$ V, $V_- = -5.5$ V $V_{COM} = \pm 4.5$ V, $V_{NO}, V_{NC} = \pm 4.5$ V	Room	-1	-	1	nA	
	$I_{NC(off)}$		Full	-10	-	10		
	$I_{COM(off)}$		Room	-1	-	1		
			Full	-10	-	10		
Channel On Leakage Current	$I_{COM(on)}$	$V_+ = 5.5$ V, $V_- = -5.5$ V, $V_{NO}, V_{NC} = V_{COM} = \pm 4.5$ V	Room	-1	-	1		
			Full	-10	-	10		
Digital Control								
Input Current ^a	I_{INL} or I_{INH}		Full	-1	0.05	1	μ A	
Dynamic Characteristics								
Turn-On Time ^e	t_{ON}	$R_L = 300 \Omega$, $C_L = 35$ pF $V_{NO}, V_{NC} = \pm 3.5$ V, see fig. 2	Room	-	48	67	ns	
			Full	-	-	81		
Turn-Off Time ^e	t_{OFF}		Room	-	34	57		
			Full	-	-	67		
Break-Before-Make Time Delay ^e	t_D		DG9426E only, $V_{NO}, V_{NC} = 3.5$ V $R_L = 300 \Omega$, $C_L = 35$ pF	Room	2	-		-
Charge Injection ^e	Q_{INJ}		$V_g = 0$ V, $R_g = 0 \Omega$, $C_L = 1$ nF	Room	-	112		-
Off Isolation ^e	OIRR	$R_L = 50 \Omega$, $C_L = 5$ pF, $f = 1$ MHz	Room	-	-56	-	dB	
Channel-to-Channel Crosstalk ^e	X_{TALK}		Room	-	-82	-		
Source Off Capacitance ^e	$C_{NO(off)}$ $C_{NC(off)}$	$f = 1$ MHz	Room	-	38	-	pF	
Drain Off Capacitance ^e	$C_{COM(off)}$		Room	-	38	-		
Channel On Capacitance ^e	$C_{COM(on)}$		Room	-	89	-		
Power Supplies								
Positive Supply Current ^e	I_+	$V_{IN} = 0$ or V_L	Room	-	0.03	1	μ A	
			Full	-	-	5		
Negative Supply Current ^e	I_-		Room	-1	-0.002	-		
			Full	-5	-	-		
Logic Supply Current ^e	I_L		Room	-	0.002	1		
			Full	-	-	5		
Ground Current ^e	I_{GND}		Room	-1	-0.002	-		
			Full	-5	-	-		



SPECIFICATIONS ^a Single Supply 5 V							
PARAMETER	SYMBOL	TEST CONDITIONS UNLESS OTHERWISE SPECIFIED V ₊ = 5 V, V ₋ = 0 V V _L = 5 V, V _{IN} = 2.4 V, 0.8 V ^f	TEMP. ^b	LIMITS -40 °C to +85 °C			UNIT
				MIN. ^d	TYP. ^c	MAX. ^d	
Analog Switch							
Analog Signal Range ^e	V _{ANALOG}		Full	-	-	5	V
On-Resistance ^e	R _{ON}	V ₊ = 4.5 V, I _{NO} , I _{NC} = 50 mA	Room	-	3.1	4.8	Ω
			Full	-	-	5.8	
Dynamic Characteristics							
Turn-On Time ^e	t _{ON}	R _L = 300 Ω, C _L = 35 pF V _{NO} , V _{NC} = 3.5 V, see fig. 2	Room	-	62	78	ns
			Hot	-	-	106	
Turn-Off Time ^e	t _{OFF}		Room	-	29	44	
			Hot	-	-	56	
Break-Before-Make Time Delay ^e	t _D	DG9426E only, V _{NO} , V _{NC} = 3.5 V R _L = 300 Ω, C _L = 35 pF	Room	5	-	-	
Charge Injection ^e	Q _{INJ}	V _g = 0 V, R _g = 0 Ω, C _L = 1 nF	Room	-	10	-	pC
Power Supplies							
Positive Supply Current ^e	I ₊	V _{IN} = 0 or V _L	Room	-	0.02	1	μA
			Hot	-	-	5	
Negative Supply Current ^e	I ₋		Room	-1	-0.002	-	
			Hot	-5	-	-	
Logic Supply Current ^e	I _L		Room	-	0.002	1	
			Hot	-	-	5	
Ground Current ^e	I _{GND}		Room	-1	-0.002	-	
			Hot	-5	-	-	



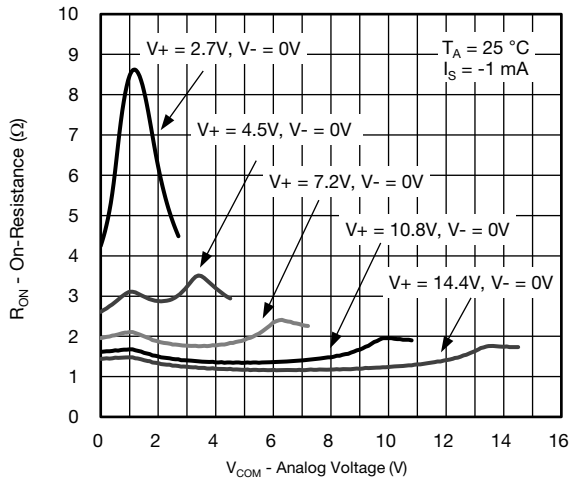
SPECIFICATIONS ^a Single Supply 3 V							
PARAMETER	SYMBOL	TEST CONDITIONS UNLESS OTHERWISE SPECIFIED V ₊ = 3 V, V ₋ = 0 V V _L = 3 V, V _{IN} = 2.4 V, 0.4 V ^f	TEMP. ^b	LIMITS -40 °C to +85 °C			UNIT
				MIN. ^d	TYP. ^c	MAX. ^d	
Analog Switch							
Analog Signal Range ^e	V _{ANALOG}		Full	0	-	3	V
On-Resistance	R _{ON}	V ₊ = 2.7 V, V ₋ = 0 V I _{NO} , I _{NC} = 5 mA, V _{COM} = 0.5, 2.2 V	Room	-	6	-	Ω
			Full	-	-	-	
Switch Off Leakage Current ^a	I _{NO(off)}	V ₊ = 3.3 V, V ₋ = 0 V V _{COM} = 0.3, 3 V, V _{NO} , V _{NC} = 3, 0.3 V	Room	-1	-	1	nA
	I _{NC(off)}		Full	-10	-	10	
	I _{COM(off)}		Room	-1	-	1	
			Full	-10	-	10	
Channel On Leakage Current ^a	I _{COM(on)}	V ₊ = 3.3 V, V ₋ = 0 V, V _{NO} , V _{NC} = V _{COM} = 0.3, 3 V	Room	-1	-	1	
			Full	-10	-	10	
Digital Control ^e							
Input Current	I _{INL} OR I _{INH}		Full	-1	0.005	1	μA
Dynamic Characteristics							
Turn-On Time	t _{ON}	R _L = 300 Ω, C _L = 35 pF V _{NO} , V _{NC} = 1.5 V, see fig. 2	Room	-	140	-	ns
			Full	-	-	193	
Turn-Off Time	t _{OFF}		Room	-	65	-	
			Full	-	-	89	
Break-Before-Make Time Delay	t _D	DG9426E only, V _{NO} , V _{NC} = 1.5 V R _L = 300 Ω, C _L = 35 pF	Room	5			
Charge Injection ^e	Q _{INJ}	V _g = 0 V, R _g = 0 Ω, C _L = 1 nF	Room	-	15	-	pC
Off Isolation ^e	OIRR	R _L = 50 Ω, C _L = 5 pF f = 1 MHz	Room	-	-56	-	dB
Channel-to-Channel Crosstalk ^e	X _{TALK}		Room	-	-80	-	
Source Off Capacitance ^e	C _{NO(off)}	f = 1 MHz	Room	-	53	-	pF
	C _{NC(off)}		Room	-	42	-	
Drain Off Capacitance ^e	C _{COM(off)}		Room	-	92	-	
Channel On Capacitance ^e	C _{COM(on)}		Room	-			

Notes

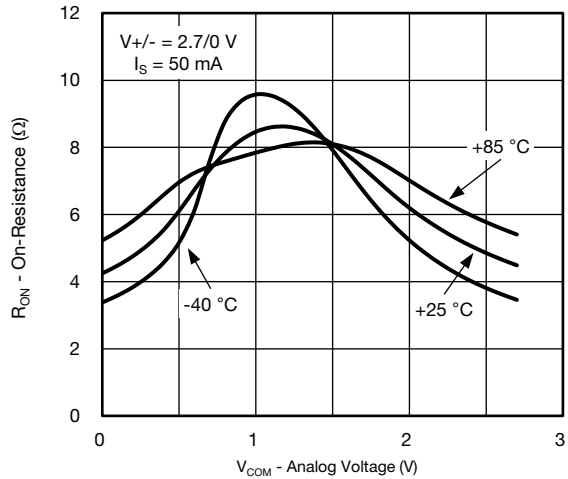
- a. Leakage parameters are guaranteed by worst case test conditions and not subject to production test.
- b. Room = 25 °C, Full = As determined by the operating temperature suffix.
- c. Typical values are for DESIGN AID ONLY, not guaranteed nor subject to production testing.
- d. The algebraic convention whereby the most negative value is a minimum and the most positive a maximum, is used in this datasheet.
- e. Guaranteed by design, not subject to production test.
- f. V_{IN} = Input voltage to perform proper function.



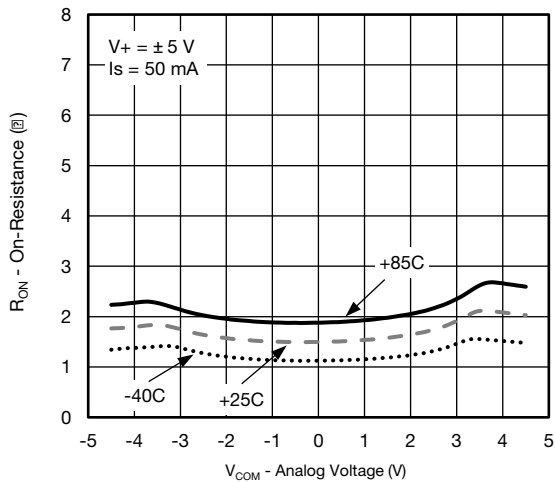
TYPICAL CHARACTERISTICS (25 °C, unless otherwise noted)



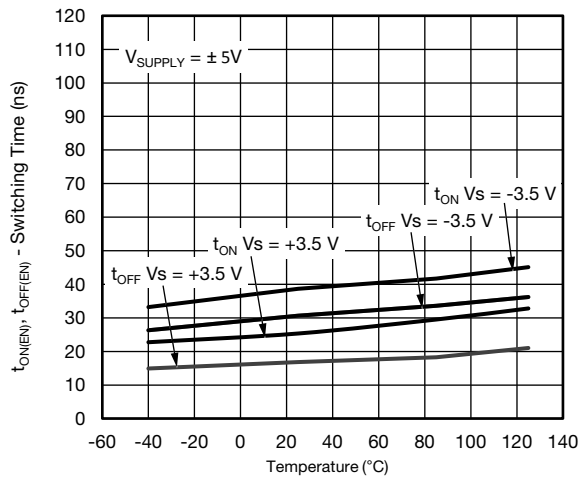
R_{ON} vs. V_{COM} and Supply Voltage



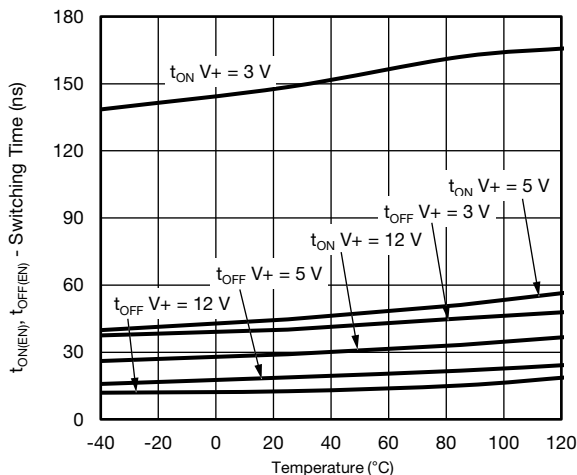
R_{ON} vs. Analog Voltage and Temperature



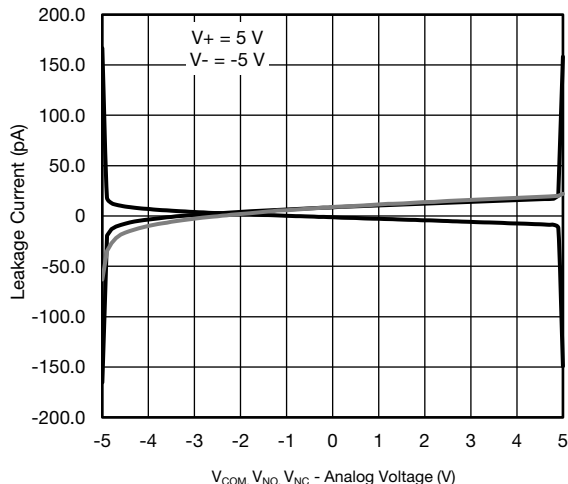
R_{ON} vs. Analog Voltage and Temperature



Switching Time vs. Temperature and Dual Supply Voltage



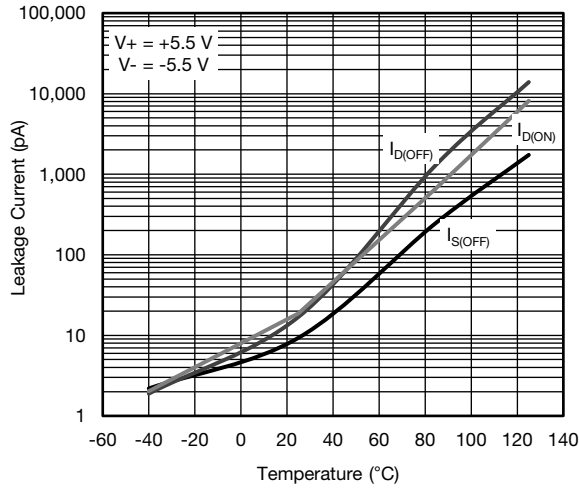
Switching Time vs. Temperature and Single Supply Voltage



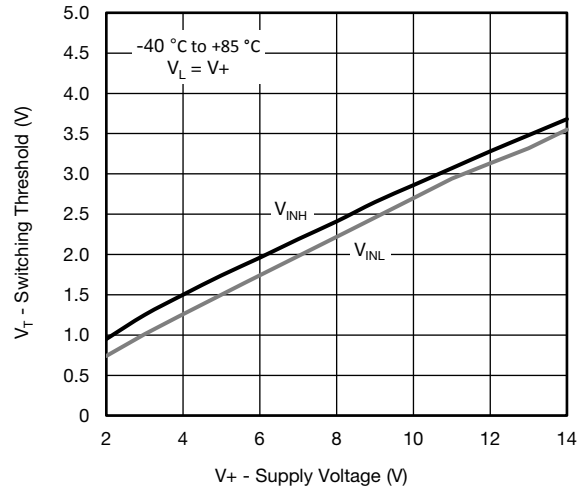
Leakage Current vs. Analog Voltage



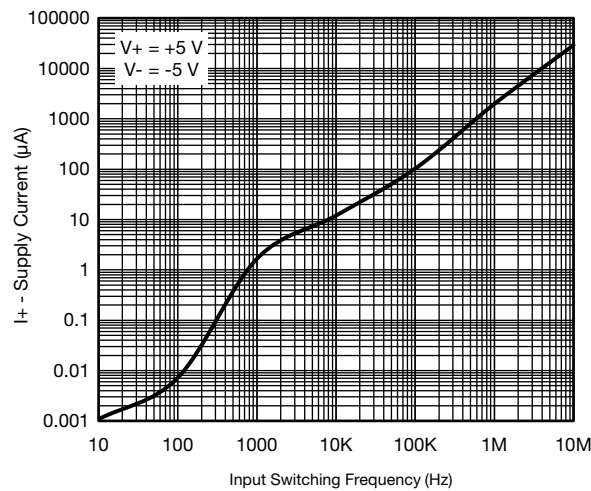
TYPICAL CHARACTERISTICS (25 °C, unless otherwise noted)



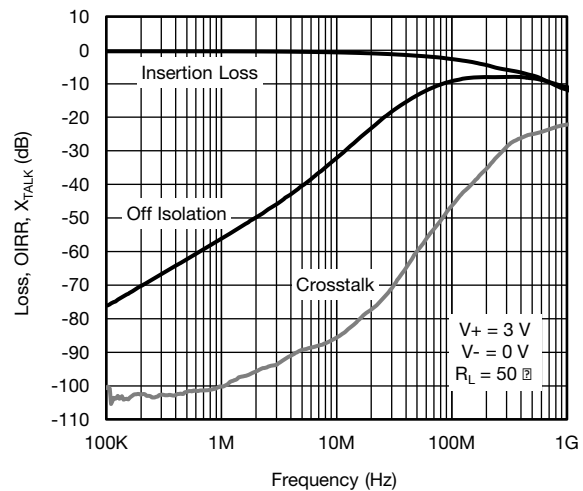
Leakage Current vs. Temperature



Switching Threshold vs. Supply Voltage



Switching Current vs. Input Switching Frequency



Insertion Loss, Off Isolation and Crosstalk vs. Frequency

SCHEMATIC DIAGRAM (typical channel)

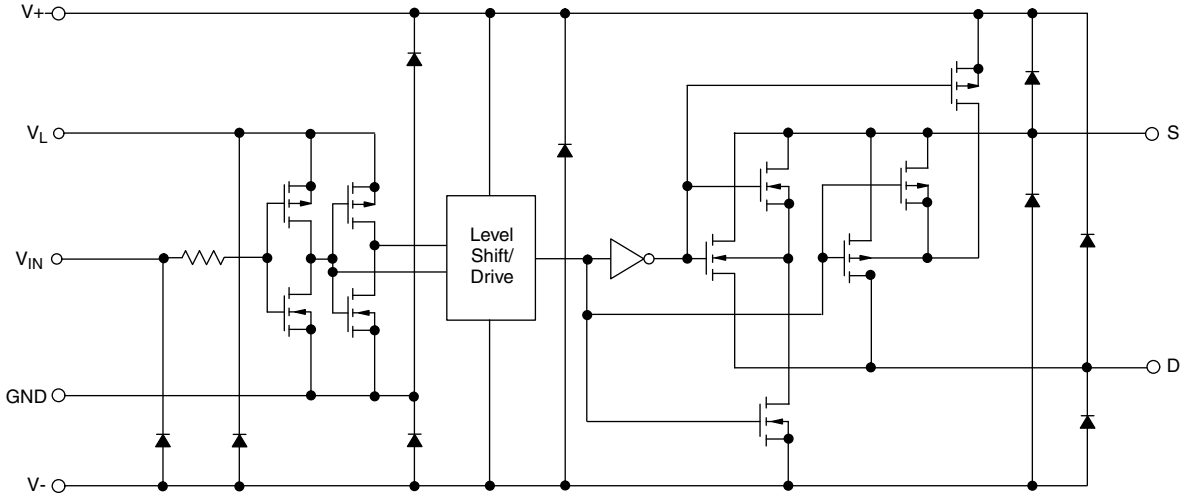
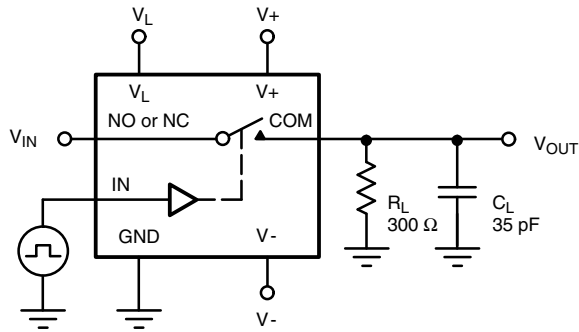


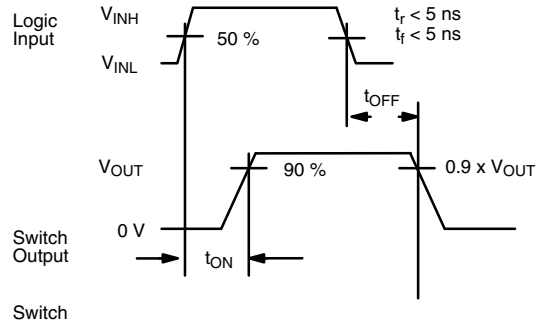
Fig. 1

TEST CIRCUITS



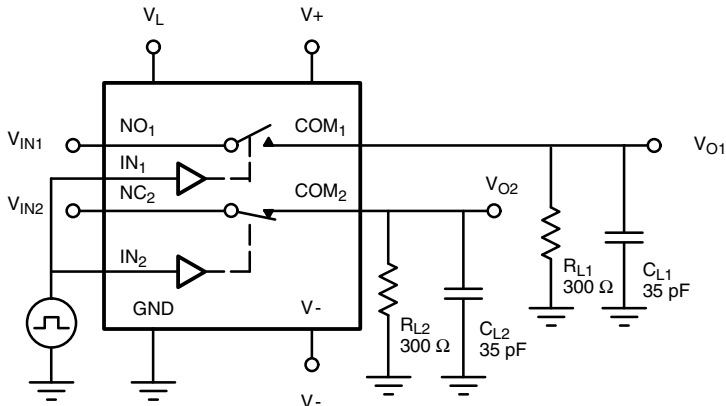
C_L (includes fixture and stray capacitance)

$$V_{OUT} = V_{IN} \frac{R_L}{R_L + r_{ON}}$$



Note: Logic input waveform is inverted for switches that have the opposite logic sense control

Fig. 2 - Switching Time



C_L (includes fixture and stray capacitance)

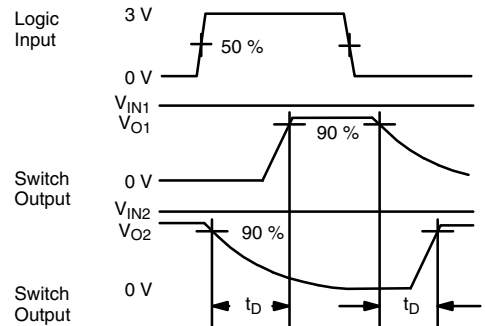


Fig. 3 - Break-Before-Make (DG9426E)

TEST CIRCUITS

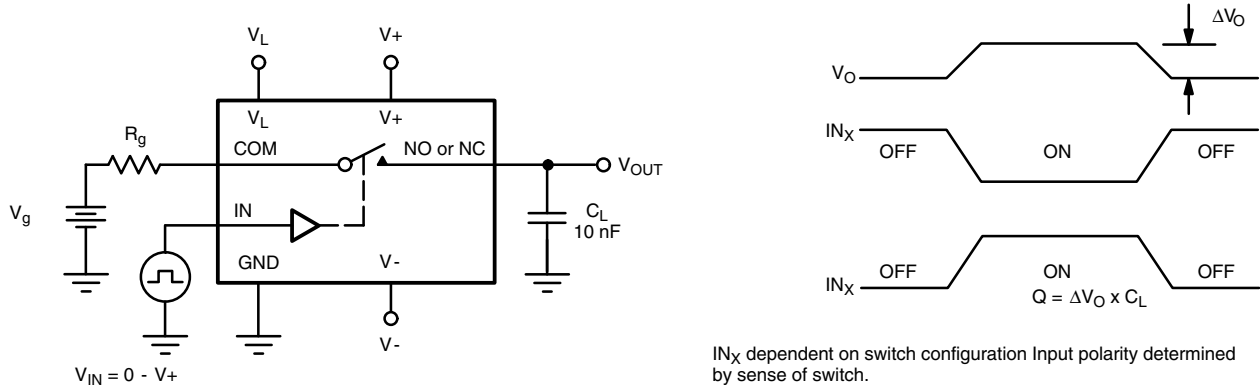


Fig. 4 - Charge Injection

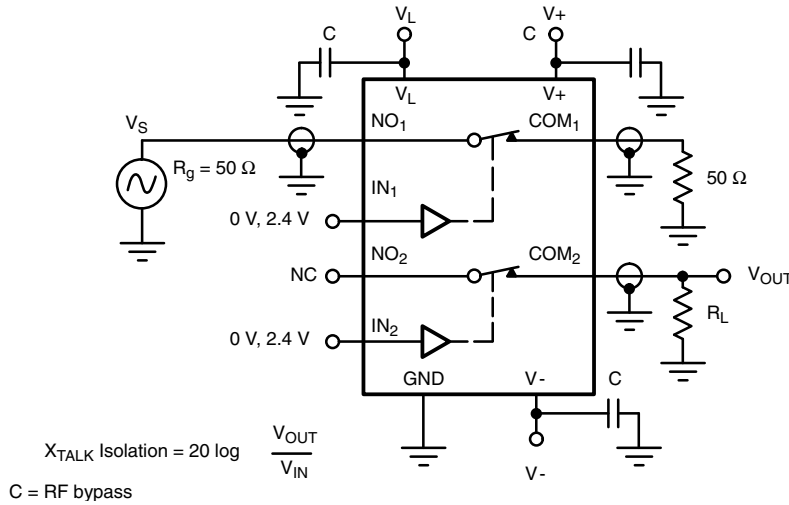


Fig. 5 - Crosstalk

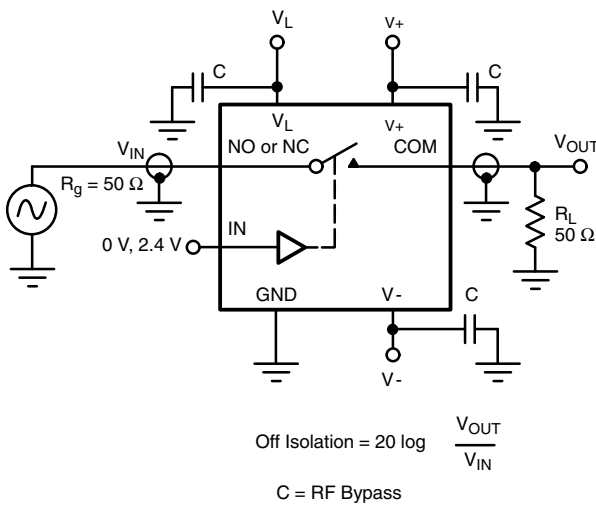


Fig. 6 - Off-Isolation

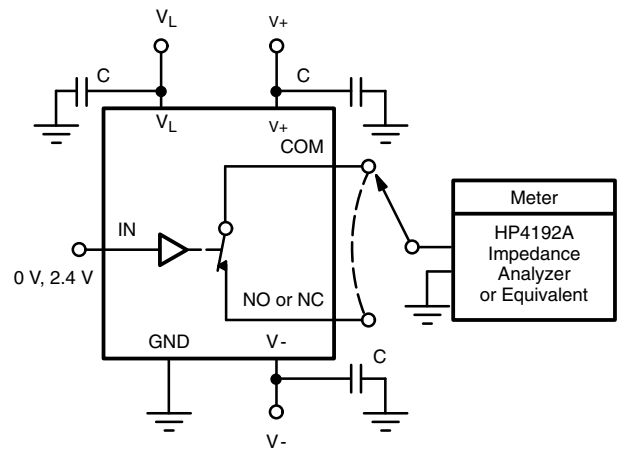
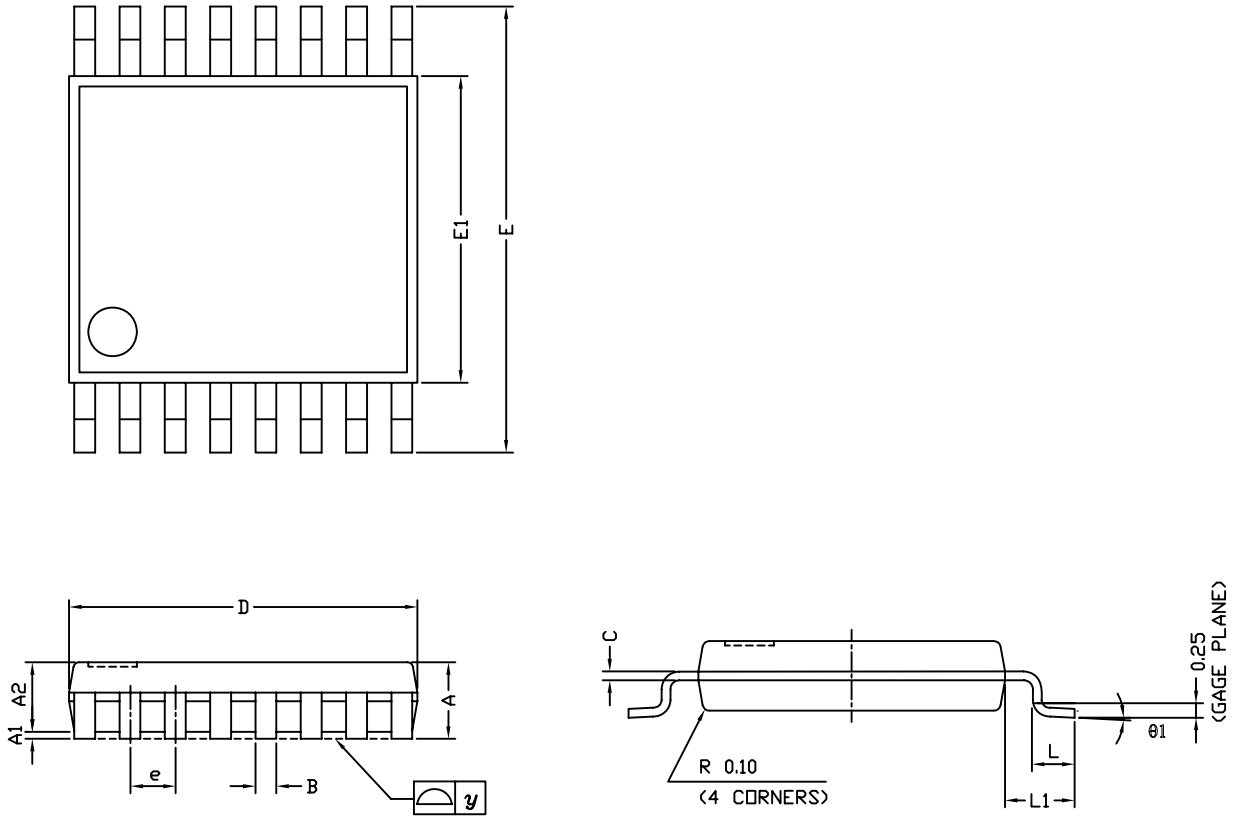


Fig. 7 - Source/Drain Capacitances

Vishay Siliconix maintains worldwide manufacturing capability. Products may be manufactured at one of several qualified locations. Reliability data for Silicon Technology and Package Reliability represent a composite of all qualified locations. For related documents such as package/tape drawings, part marking, and reliability data, see www.vishay.com/ppg?75770.

TSSOP: 16-LEAD

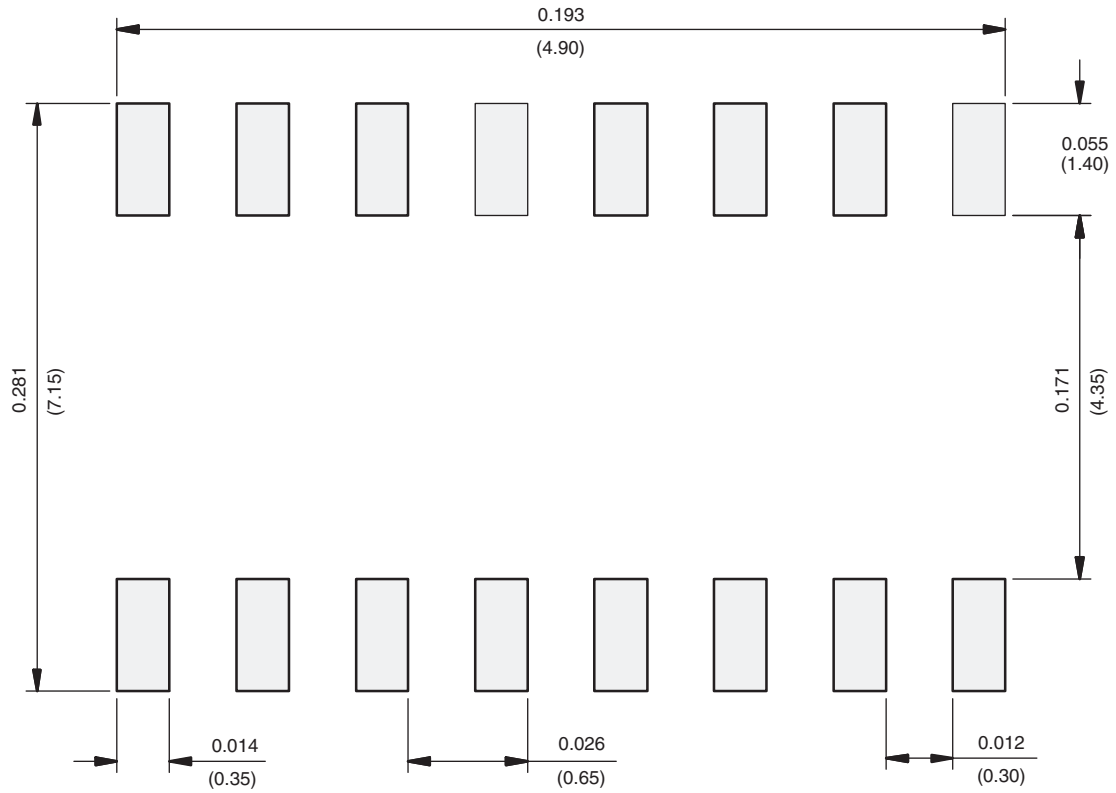


Symbols	DIMENSIONS IN MILLIMETERS		
	Min	Nom	Max
A	-	1.10	1.20
A1	0.05	0.10	0.15
A2	-	1.00	1.05
B	0.22	0.28	0.38
C	-	0.127	-
D	4.90	5.00	5.10
E	6.10	6.40	6.70
E1	4.30	4.40	4.50
e	-	0.65	-
L	0.50	0.60	0.70
L1	0.90	1.00	1.10
y	-	-	0.10
θ1	0°	3°	6°

ECN: S-61920-Rev. D, 23-Oct-06
 DWG: 5624



RECOMMENDED MINIMUM PAD FOR TSSOP-16



Recommended Minimum Pads
Dimensions in inches (mm)



Disclaimer

ALL PRODUCT, PRODUCT SPECIFICATIONS AND DATA ARE SUBJECT TO CHANGE WITHOUT NOTICE TO IMPROVE RELIABILITY, FUNCTION OR DESIGN OR OTHERWISE.

Vishay Intertechnology, Inc., its affiliates, agents, and employees, and all persons acting on its or their behalf (collectively, "Vishay"), disclaim any and all liability for any errors, inaccuracies or incompleteness contained in any datasheet or in any other disclosure relating to any product.

Vishay makes no warranty, representation or guarantee regarding the suitability of the products for any particular purpose or the continuing production of any product. To the maximum extent permitted by applicable law, Vishay disclaims (i) any and all liability arising out of the application or use of any product, (ii) any and all liability, including without limitation special, consequential or incidental damages, and (iii) any and all implied warranties, including warranties of fitness for particular purpose, non-infringement and merchantability.

Statements regarding the suitability of products for certain types of applications are based on Vishay's knowledge of typical requirements that are often placed on Vishay products in generic applications. Such statements are not binding statements about the suitability of products for a particular application. It is the customer's responsibility to validate that a particular product with the properties described in the product specification is suitable for use in a particular application. Parameters provided in datasheets and / or specifications may vary in different applications and performance may vary over time. All operating parameters, including typical parameters, must be validated for each customer application by the customer's technical experts. Product specifications do not expand or otherwise modify Vishay's terms and conditions of purchase, including but not limited to the warranty expressed therein.

Except as expressly indicated in writing, Vishay products are not designed for use in medical, life-saving, or life-sustaining applications or for any other application in which the failure of the Vishay product could result in personal injury or death. Customers using or selling Vishay products not expressly indicated for use in such applications do so at their own risk. Please contact authorized Vishay personnel to obtain written terms and conditions regarding products designed for such applications.

No license, express or implied, by estoppel or otherwise, to any intellectual property rights is granted by this document or by any conduct of Vishay. Product names and markings noted herein may be trademarks of their respective owners.