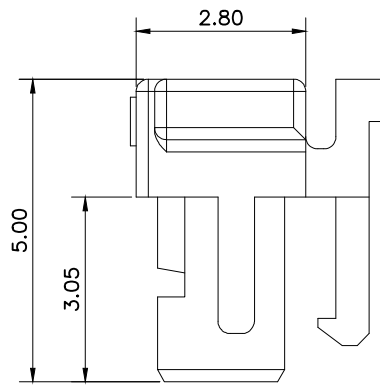
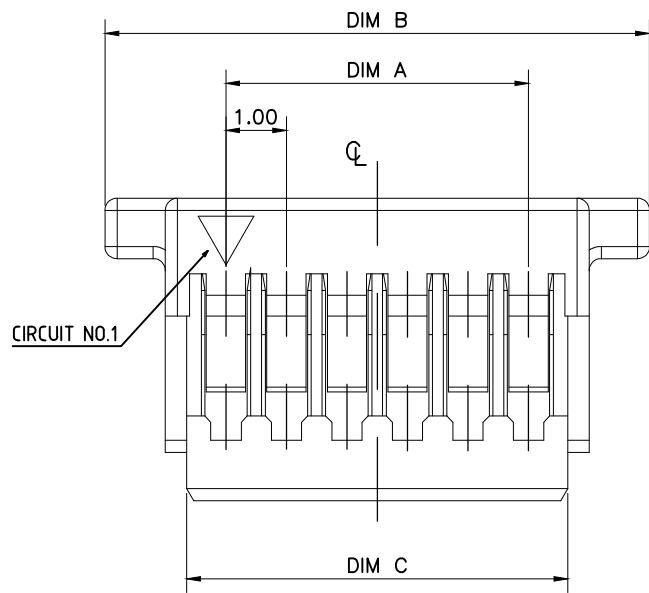
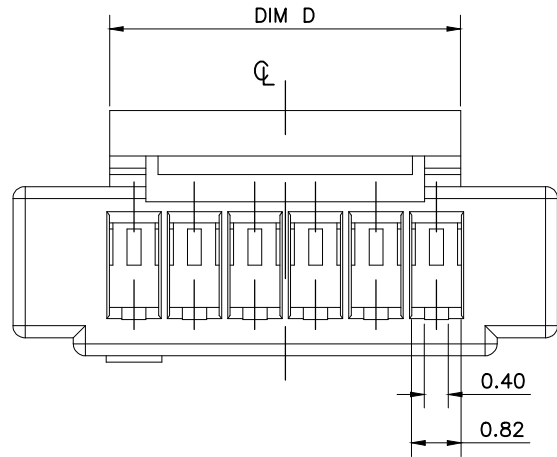


© - TE Connectivity. All Rights Reserved.

REVISIONS					
P	LTR	DESCRIPTION	DATE	DWN	APVD
	5	REVISED	10APR2020	J.J	W.H



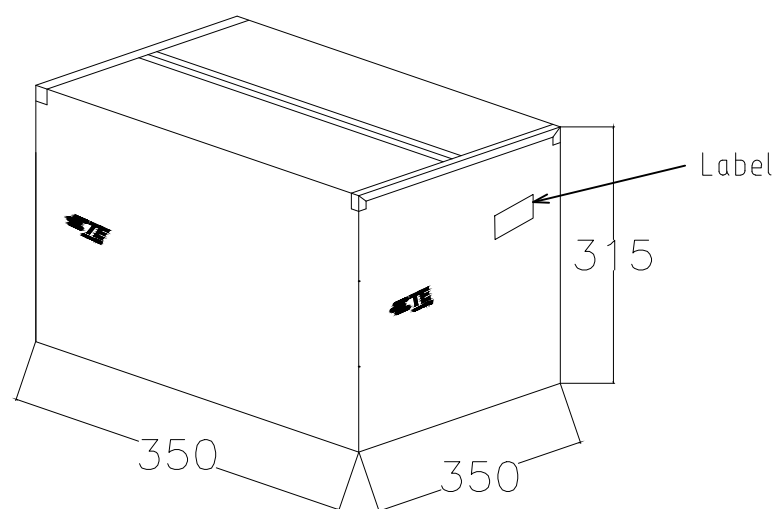
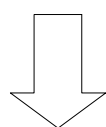
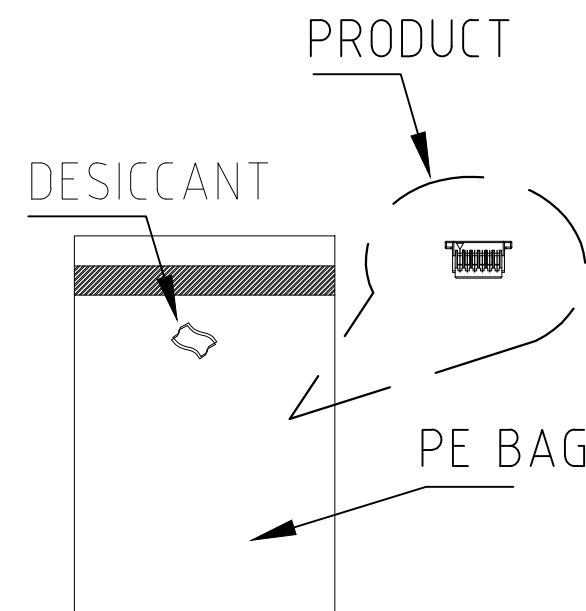
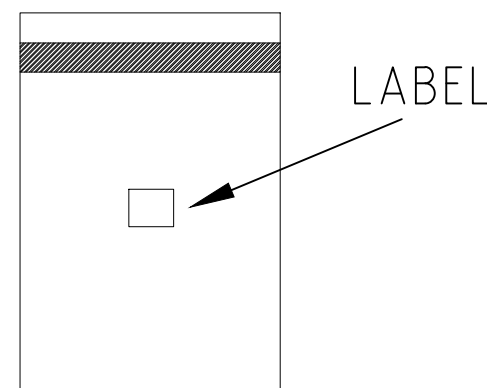
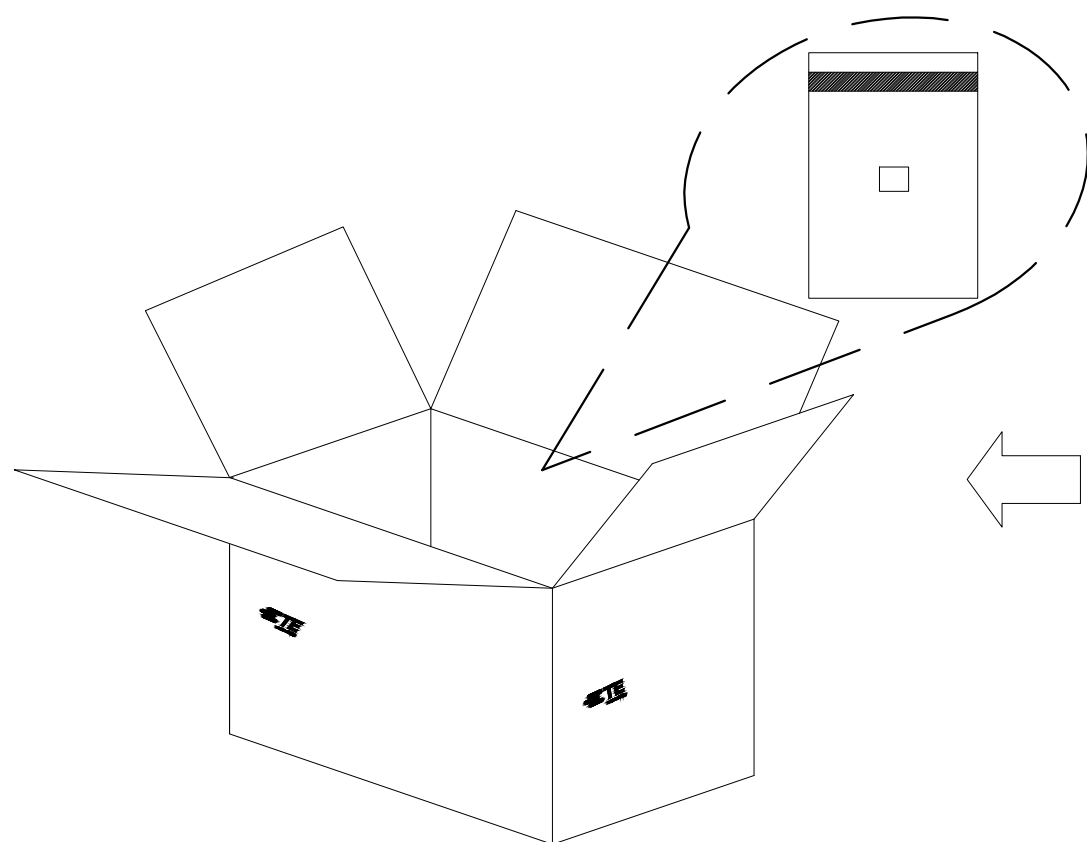
- NOTES:  
 1. MATERIAL: HALOGEN FREE PLASTIC, UL94V-0.  
 2. CABLE CONTACT: 2367199-1

5.8	15.4	18.0	14.0	15	3-2367198-5	1-2367198-5
	14.4	17.0	13.0	14	3-2367198-4	1-2367198-4
	13.4	16.0	12.0	13	3-2367198-3	1-2367198-3
	12.4	15.0	11.0	12	3-2367198-2	1-2367198-2
	11.4	14.0	10.0	11	3-2367198-1	1-2367198-1
	10.4	13.0	9.0	10	3-2367198-0	1-2367198-0
	9.4	12.0	8.0	9	2-2367198-9	2367198-9
	8.4	11.0	7.0	8	2-2367198-8	2367198-8
	7.4	10.0	6.0	7	2-2367198-7	2367198-7
6.4	9.0	5.0	6	2-2367198-6	2367198-6	
4.8	5.4	8.0	4.0	5	2-2367198-5	2367198-5
3.0	4.4	7.0	3.0	4	2-2367198-4	2367198-4
3.0	3.4	6.0	2.0	3	2-2367198-3	2367198-3
DIM.D	DIM.C	DIM,B	DIM.A	POS.NO	NATURAL	BLACK
						COLOR
						P/N

THIS DRAWING IS A CONTROLLED DOCUMENT.		DWN Tommy Qian 18DEC2019	<b>TE Connectivity</b>			
DIMENSIONS: mm		CHK Wenke He				
TOLERANCES UNLESS OTHERWISE SPECIFIED:		APVD Wenke He	1.0P WTB CABLE HOUSING WITH LATCH			
0 PLC ± 0.5 1 PLC ± 0.35 2 PLC ± 0.25 3 PLC ± 0.15 4 PLC ± - ANGLES ± 2°		PRODUCT SPEC 108-115169	RESTRICTED TO			
MATERIAL SEE NOTE		FINISH -	APPLICATION SPEC 114-115031	SIZE A3	CAGE CODE 00779	DRAWING NO C-2367198
CUSTOMER DRAWING			WEIGHT	SCALE N/A	SHEET 1 OF 2	REV 5


REVISIONS

P	LTR	DESCRIPTION	DATE	DWN	APVD
-	-	SEE SHEET 1	-	-	-



NOTES:  
PACKAGE FOR \*-2367198-\*

PART NUMBER	PCS/PEG	PCS/CARTON
2-2367198-3	2367198-3	5000
2-2367198-4	2367198-4	5000
2-2367198-5	2367198-5	4000
2-2367198-6	2367198-6	4000
2-2367198-7	2367198-7	3000
2-2367198-8	2367198-8	3000
2-2367198-9	2367198-9	3000
3-2367198-0	1-2367198-0	2000
3-2367198-1	1-2367198-1	2000
3-2367198-2	1-2367198-2	2000
3-2367198-3	1-2367198-3	2000
3-2367198-4	1-2367198-4	1500
3-2367198-5	1-2367198-5	1500

THIS DRAWING IS A CONTROLLED DOCUMENT.		DWN Tommy Qian 18DEC2019	 TE Connectivity	
DIMENSIONS: mm		CHK Wenke He		
TOLERANCES UNLESS OTHERWISE SPECIFIED:		APVD Wenke He	1.0P WT B CABLE HOUSING WITH LATCH	
0 PLC ± 0.5 1 PLC ± 0.35 2 PLC ± 0.25 3 PLC ± 0.15 4 PLC ± - ANGLES ± *		PRODUCT SPEC 108-115169	RESTRICTED TO	
MATERIAL SEE NOTE		FINISH -	APPLICATION SPEC 114-115031	SIZE A3
		WEIGHT	CAGE CODE 00779	DRAWING NO C-2367198
CUSTOMER DRAWING			SCALE N/A	SHEET 2 OF 2
			REV 5	