



Wi-Fi 6/ 6E TRIPLE BAND EMBEDDED ANTENNA

Part Numbers: 2118907-1

FEATURES & BENEFITS

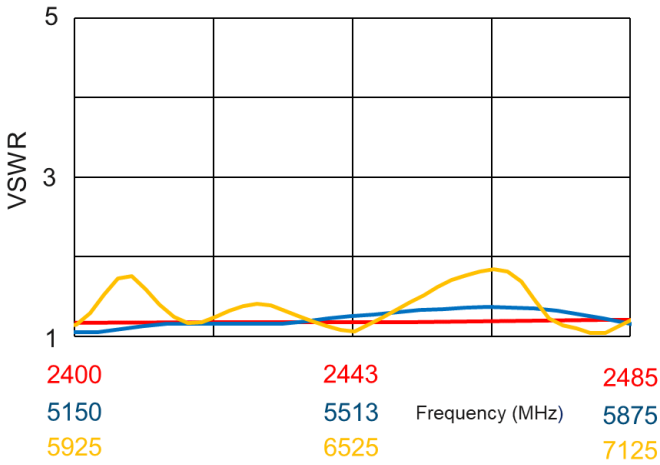
- Wi-Fi 6, also including WiFi 6E **new 6GHz** band, Bluetooth, ZigBee
- Flexible PCB antenna assembly
- Adhesive backing on the flexible PCB simplifies mounting within the device
- Global Frequency coverage
- Wide selection of micro-coaxial cable lengths

SPECIFICATIONS

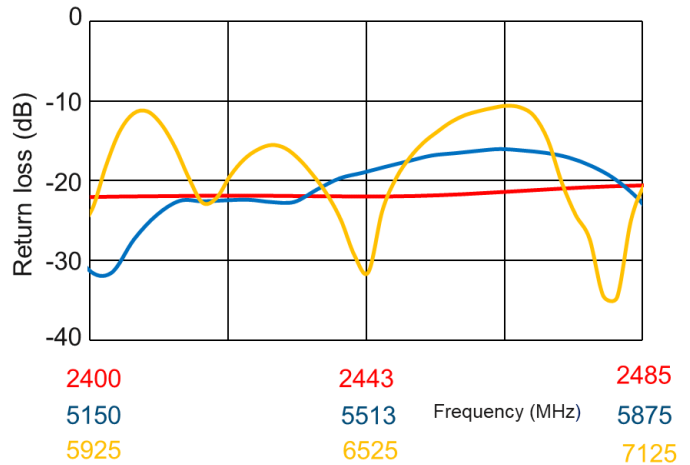
Frequency Range (MHz)	2400-2483.5	5150-5875	5925-7125
VSWR	< 1.5:1	< 2.0:1	< 2.0:1
Average Efficiency	65%	65%	70%
Peak Gain	2.9dBi	4.8dBi	5.3dBi
Average Gain	-1.9dBi	-1.9dBi	-1.6dBi
Power Handling	10 Watt cw		
Feed Point Impedance	50 ohms unbalanced		
Polarization	Linear		
Size	29.60 mm x 41.24 mm x 0.34 mm		
Weight	< 3.3 g		
Mounting	Adhesive Tape		
Mating Connector	MHF-type receptacle (TE PN 2337019-1)		
Cable	Coaxial Cable : 1.13mm Dia.		
Operating Temperature	-40 to +85°C		
Storage Temperature	-40 to +85°C		
Hazardous Materials	A certificate of conformance is available from the product page on TE website.		

RF DATA

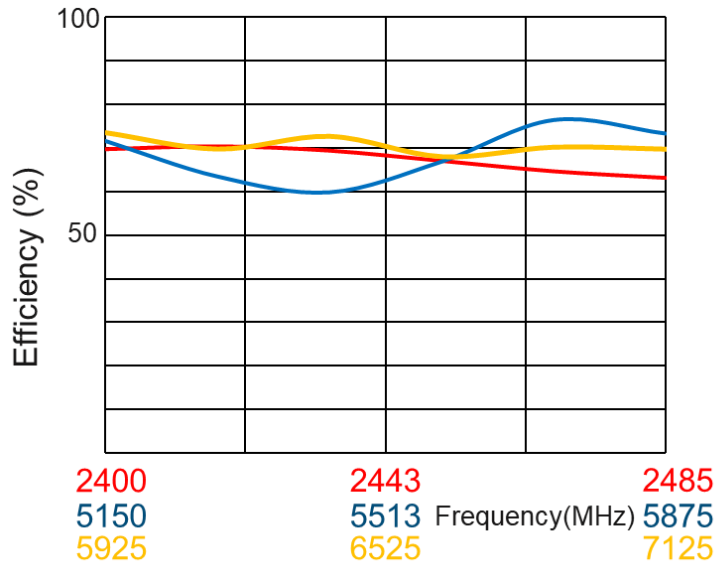
VSWR



Return Loss



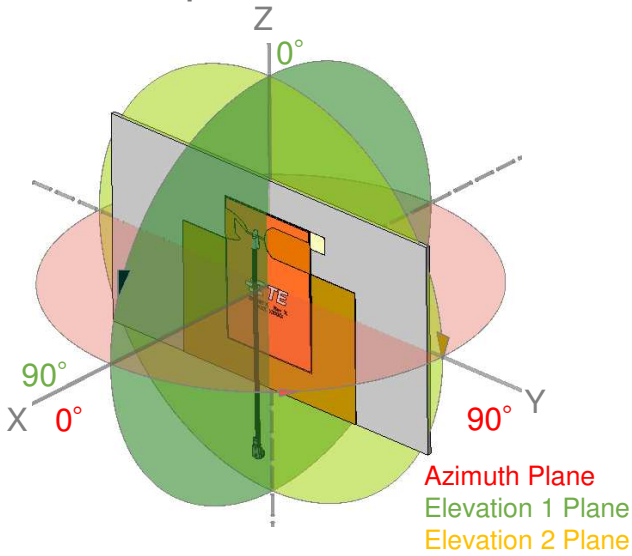
Efficiency



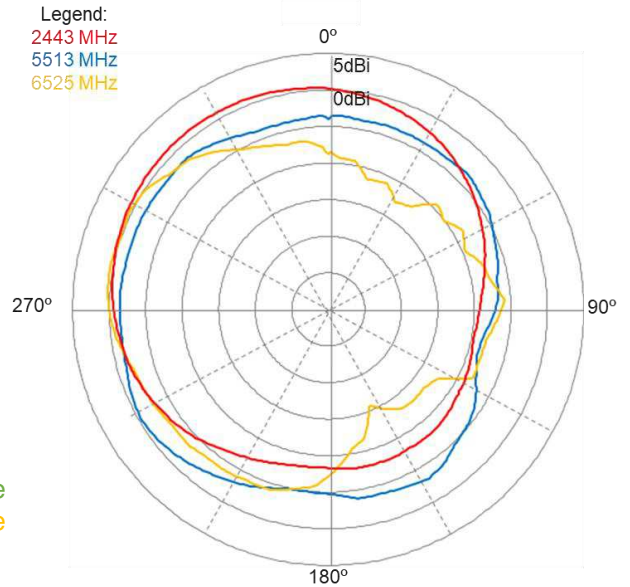
Data measured in free space and on plastic device enclosure

RADIATION PATTERN

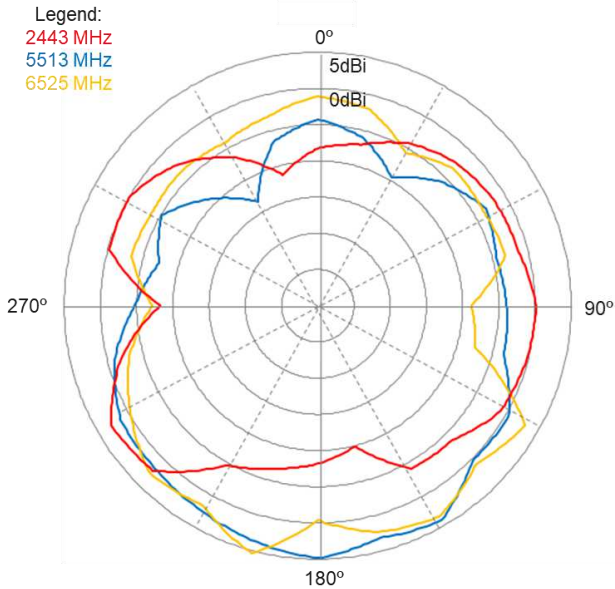
Test setup



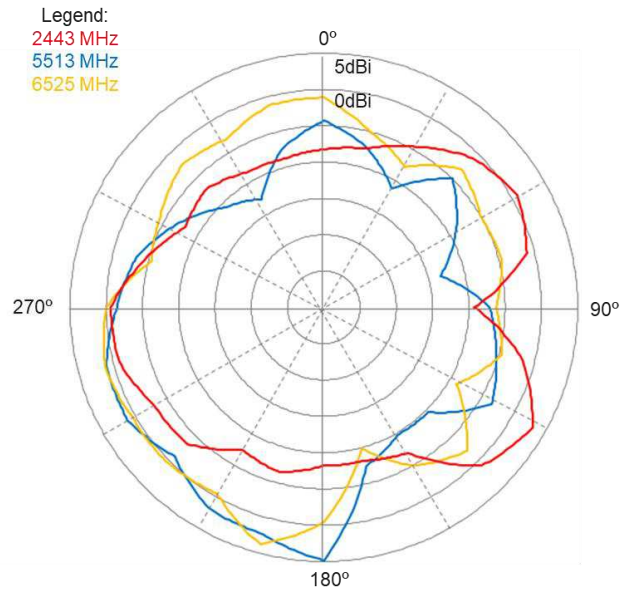
Azimuth



Elevation 1



Elevation 2

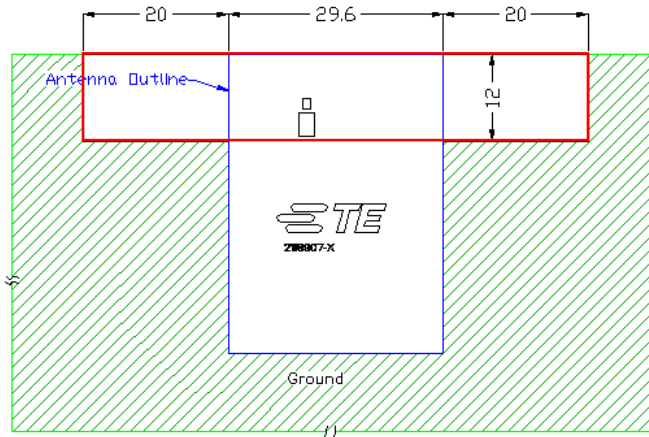



Data measured in free space and on plastic device enclosure

Wi-Fi 6/ 6E TRIPLE BAND EMBEDDED ANTENNA

Standard Antenna Solutions

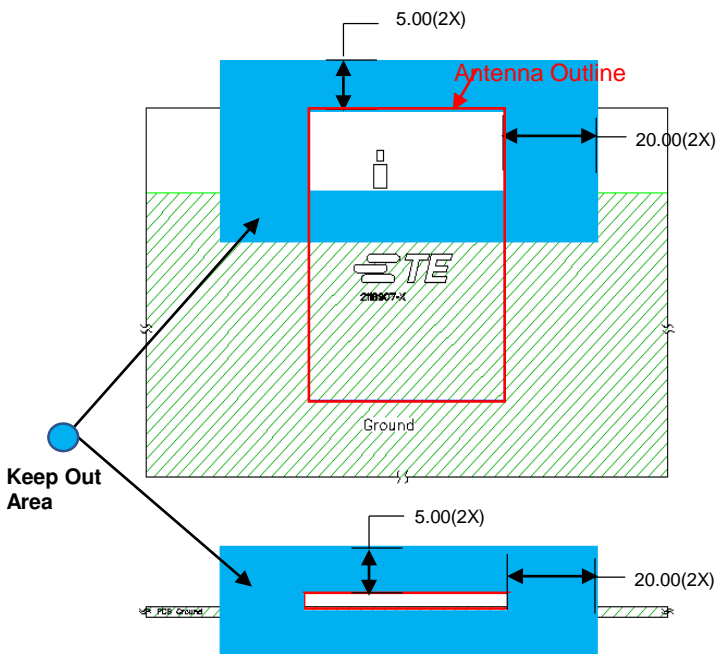
MOUNTING GUIDE



- NOTES: 1. No copper allowed in designated area on all PCB layers – 
2. For more information please call TE.

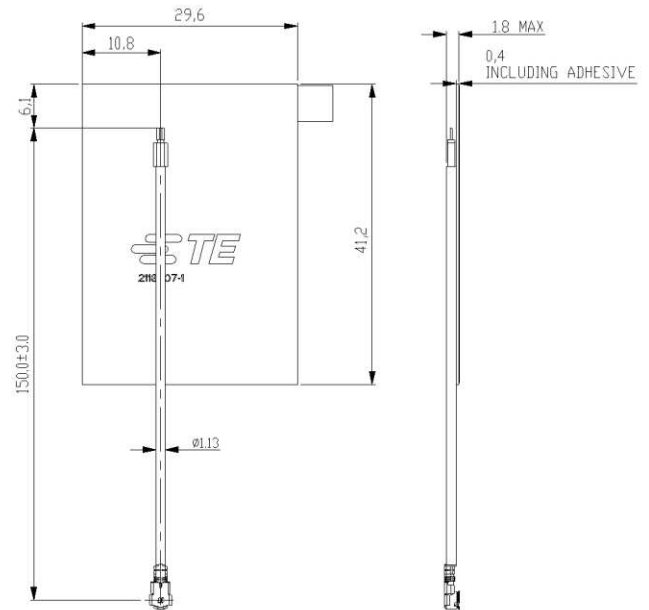
Dimensions: mm
Diagram is not to scale

KEEP OUT AREA



Dimensions: mm
Diagram is not to scale

DIMENSIONS




Dimensions: mm
Diagram is not to scale

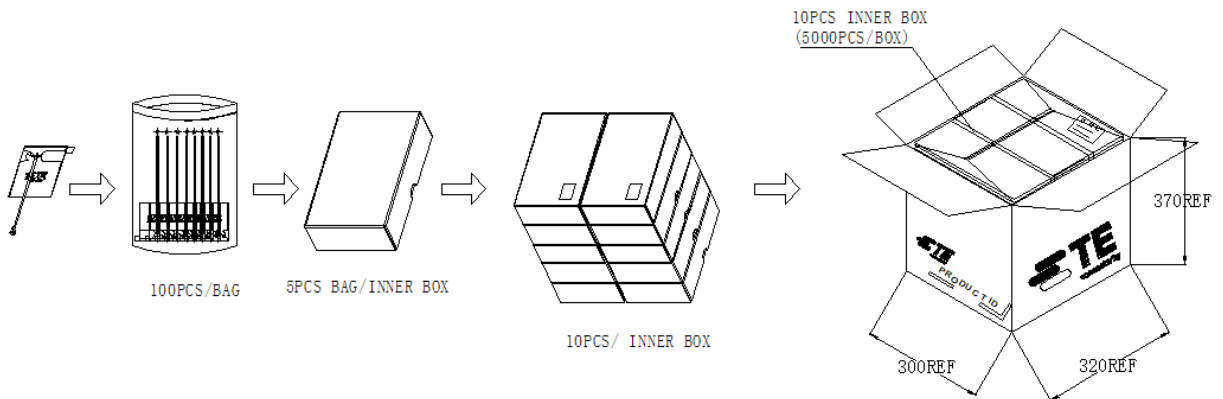
Wi-Fi 6/ 6E TRIPLE BAND EMBEDDED ANTENNA

Standard Antenna Solutions

MATING COMPONENTS

2118907-1	150.0	3.810	MHF-TYPE PLUG	RECEPTACLE (TE PN: 2337019-1)	
ANTENNA PART NUMBER	MM	INCH	CONNECTOR TYPE (ON CABLE)	PART NUMBER	IMAGE
	CABLE LENGTH			MATING COMPONENTS	

PACKAGING



TE TECHNICAL SUPPORT CENTER

- USA: +1 (800) 522-6752
- Canada: +1 (905) 475-6222
- Mexico: +52 (0) 55-1106-0800
- Latin/S. America: +54 (0) 11-4733-2200
- Germany: +49 (0) 6251-133-1999
- UK: +44 (0) 800-267666
- France: +33 (0) 1-3420-8686
- Netherlands: +31 (0) 73-6246-999
- China: +86 (0) 400-820-6015

For phone numbers in other countries, go to te.com/support-center

te.com

TE Connectivity, TE Connectivity (logo) are trademarks. All other logos, products and/or company names referred to herein might be trademarks of their respective owners.

The information given herein, including drawings, illustrations and schematics which are intended for illustration purposes only, is believed to be reliable. However, TE Connectivity makes no warranties as to its accuracy or completeness and disclaims any liability in connection with its use. TE Connectivity's obligations shall only be as set forth in TE Connectivity's Standard Terms and Conditions of Sale for this product and in no case will TE Connectivity be liable for any incidental, indirect or consequential damages arising out of the sale, resale, use or misuse of the product. Users of TE Connectivity products should make their own evaluation to determine the suitability of each such product for the specific application.

© 2020 TE Connectivity Ltd. family of companies All Rights Reserved.

05/2020