

1 2 3 4 5 6

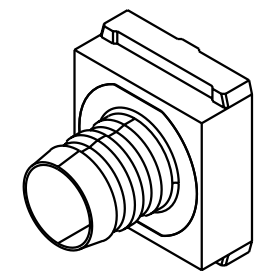
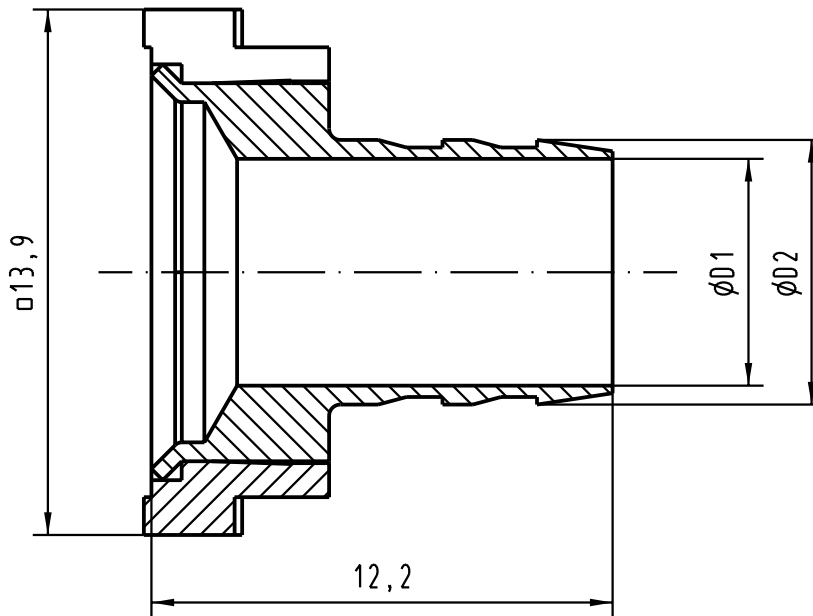
A

B

C

D

| | | |
|----------------|-----|------|
| 61 03 000 0072 | 9,0 | 10,0 |
| 61 03 000 0165 | 8,5 | 9,5 |
| 61 03 000 0071 | 8,0 | 9,0 |
| 61 03 000 0070 | 7,5 | 8,5 |
| 61 03 000 0069 | 7,0 | 8,0 |
| 61 03 000 0068 | 6,5 | 7,5 |
| 61 03 000 0067 | 6,0 | 7,0 |
| 61 03 000 0166 | 5,5 | 6,5 |
| 61 03 000 0066 | 5,0 | 6,0 |
| 61 03 000 0065 | 4,5 | 5,5 |
| 61 03 000 0064 | 4,0 | 5,0 |
| 61 03 000 0063 | 3,5 | 4,5 |
| 61 03 000 0062 | 3,0 | 4,0 |
| part-no. | ∅D1 | ∅D2 |



| | | | | | | | |
|-------|---|------|--|----------------|------|---|--|
| | All Dimensions in mm Original Size DIN A 4 | | Techn. Character. | | | Nicht tolerierte Maßel Free size tolerances | |
| | | | | Dat. | Name | Maßstab/Scale 5:1 | InduCom crimp flange to use with hoods for 9...37-pole D-Sub connectors |
| | | | Detail. | 14.06.04 Hage. | | | |
| | | | Insp. | 14.06.04 kfoe. | | | |
| | | | Stand. | | | | |
| 31997 | | | HARTING Electronics GmbH & Co. KG D-32339 ESPELKAMP | | | | TB 61 03 000 0zzz |
| Mod. | Dat. | Name | | | | | |