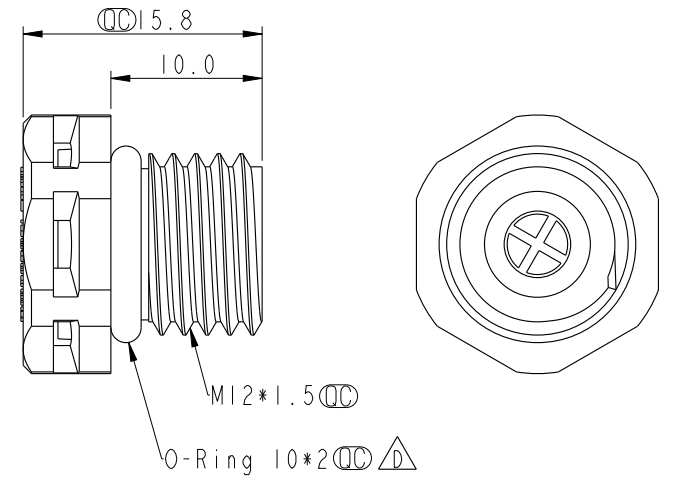
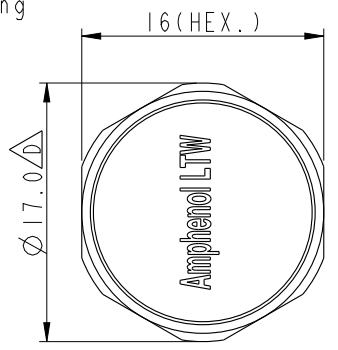
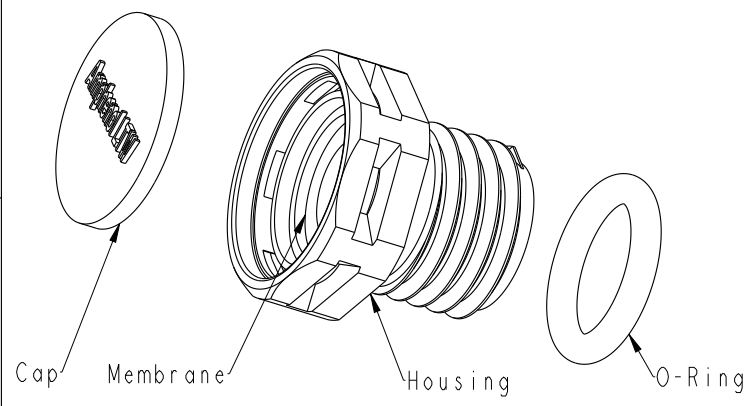


THIS DOCUMENT IS SUBJECT TO CHANGE WITHOUT NOTICE. IT IS CONFIDENTIAL AND A PROPERTY OF Amphenol LTW. DISCLOSURE TO THIRD PARTY HAS TO BE AUTHORIZED BY Amphenol LTW.

| REV. | ECN NO.        | DATE       | SIGN     | DESCRIPTION                                 |
|------|----------------|------------|----------|---|
| D    | LEN17C0606~621 | 2017/12/15 | Ethan    | Add O-Ring Dimensions And Modify Dimensions |
| E    | C180282        | 2018/11/01 | Xiaofeng | Drawings Change                             |
| F    | C210614        | 2021/04/13 | Xiaofeng | X3  |



Without Nut

| 成品料號 (Product no.) | 透氣量 ml/min@70mbar | 主體顏色 (Body Colour) | O-Ring Color | 疏油性 (Oleophobic) | Waterproof Rate |
|--------------------|-------------------|--------------------|--------------|------------------|-----------------|
| VENT-PSINGY-N8001  | >1000             | Gray               | Blue         | N                | IP68/IP69K      |
| VENT-PSINBK-N8001  | >1000             | Black              | Blue         | N                | IP68/IP69K      |
| VENT-PSINGY-O8001  | >550              | Gray               | Black        | Y                | IP68/IP69K      |
| VENT-PSINBK-O8001  | >550              | Black              | Black        | Y                | IP68/IP69K      |
| VENT-PSINGY-O8002  | >1000             | Gray               | Green        | Y                | IP68/IP69K      |
| VENT-PSINBK-O8002  | >1000             | Black              | Green        | Y                | IP68/IP69K      |
| VENT-PSINGY-N8002  | >3000             | Gray               | Red          | N                | IP68            |
| VENT-PSINBK-N8002  | >3000             | Black              | Red          | N                | IP68            |

With Nut

| 成品料號 (Product no.) | 透氣量 ml/min@70mbar | 主體顏色 (Body Colour) | O-Ring Color | 疏油性 (Oleophobic) | Waterproof Rate |
|--------------------|-------------------|--------------------|--------------|------------------|-----------------|
| VENT-PSIYGY-N8001  | >1000             | Gray               | Blue         | N                | IP68/IP69K      |
| VENT-PSIYBK-N8001  | >1000             | Black              | Blue         | N                | IP68/IP69K      |
| VENT-PSIYGY-O8001  | >550              | Gray               | Black        | Y                | IP68/IP69K      |
| VENT-PSIYBK-O8001  | >550              | Black              | Black        | Y                | IP68/IP69K      |
| VENT-PSIYGY-O8002  | >1000             | Gray               | Green        | Y                | IP68/IP69K      |
| VENT-PSIYBK-O8002  | >1000             | Black              | Green        | Y                | IP68/IP69K      |
| VENT-PSIYGY-N8002  | >3000             | Gray               | Red          | N                | IP68            |
| VENT-PSIYBK-N8002  | >3000             | Black              | Red          | N                | IP68            |

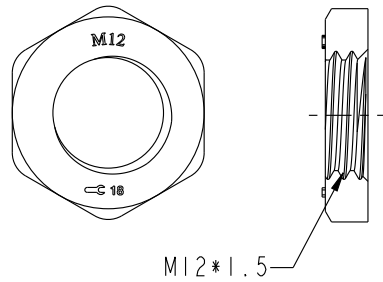
|           |       |
|-----------|-------|
| UNIT : mm |       |
| TOLERANCE |       |
| .X        | ±0.25 |
| .XX       | ±0.1  |
| .XXX      | ±0.05 |
| ANGLES    | ±1°   |

|                       |                |                    |  |
|-----------------------|----------------|--------------------|--|
| TITLE<br>M12*1.5 VENT |                |                    |  |
| SCALE<br>2:1          | SIZE<br>A4     | SHEET<br>1 OF 2    |  |
| REV.<br>F             | WC-REV.<br>A.7 | ☉: Inspection item |  |

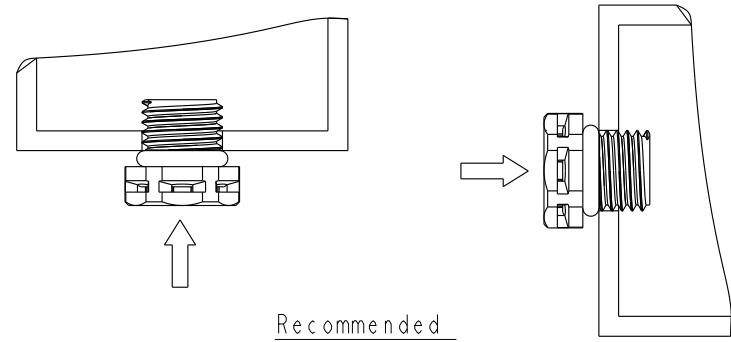
**Amphenol LTW**  
安費諾亮泰企業股份有限公司

|                              |                       |                    |
|------------------------------|-----------------------|--------------------|
| ITEM NO.                     | DRAWN BY<br>Xiaofeng  | DATE<br>2018/11/01 |
| DWG NO.<br>VENT-PSIXXX-XXXXX | CHECKED BY<br>Feng-li | DATE<br>2018/11/01 |
| CUSTOMER<br>ALTW             | APPROVED BY<br>Jerry  | DATE<br>2018/11/01 |

Screw Nut: Optional part  
 No.: APTP-ABKPA012-001  
 螺母作為選配件

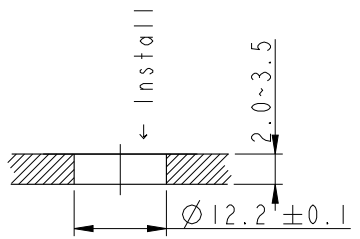


F



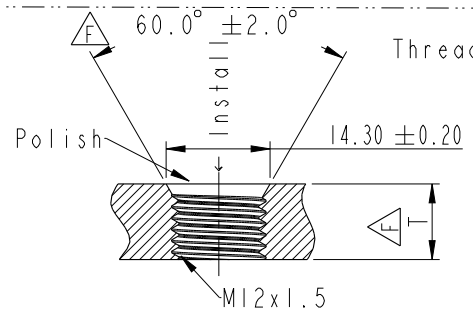
Recommended  
 installation orientation  
 建議安裝朝向

Through-hole



Recommended Panel Cut-Out  
 建議開孔尺寸

Threaded-hole



Recommended Panel Cut-Out  
 建議開孔尺寸

- Note:
- \*  $\varnothing$  Important Dimension.
  - \* Cap: Nylon+GF, 94V-0, UV Resistance
  - \* Membrane: ePTFE
  - \* Body: Nylon+GF, 94V-0, UV Resistance
  - \* O-Ring: Silicone, 94V-0
  - \* Recommended Torque: 6.0~8.0 Kgf.cm

E

|                 |                      |               |
|-----------------|----------------------|---------------|
| UNIT: mm        |                      |               |
| TOLERANCE       | .X $\pm 0.25$        | .XX $\pm 0.1$ |
| .XXX $\pm 0.05$ | ANGLES $\pm 1^\circ$ |               |

|                       |                |                               |
|-----------------------|----------------|-------------------------------|
| TITLE<br>M12*1.5 VENT |                |                               |
| SCALE<br>2:1          | SIZE<br>A4     | SHEET<br>2 OF 2               |
| REV.<br>F             | WC-REV.<br>A.7 | $\varnothing$ Inspection item |

**Amphenol LTW**  
 安費諾亮泰企業股份有限公司

|                             |                       |                    |
|-----------------------------|-----------------------|--------------------|
| ITEM NO                     | DRAWN BY<br>Xiaofeng  | DATE<br>2018/11/01 |
| DWG NO<br>VENT-PS1XXX-XXXXX | CHECKED BY<br>Feng-li | DATE<br>2018/11/01 |
| CUSTOMER<br>ALTW            | APPROVED BY<br>Jerry  | DATE<br>2018/11/01 |

THIS DOCUMENT IS SUBJECT TO CHANGE WITHOUT NOTICE. IT IS CONFIDENTIAL AND A PROPERTY OF Amphenol LTW. DISCLOSURE TO THIRD PARTY HAS TO BE AUTHORIZED BY Amphenol LTW.