



**Bernstein**

Bernstein AG  
Tieloser Weg 6  
D - 32457 Porta Westfalica

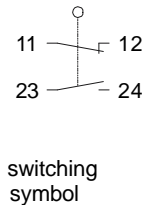
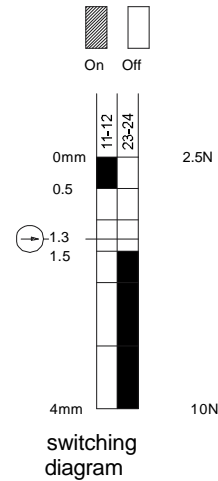
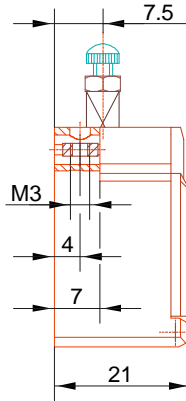
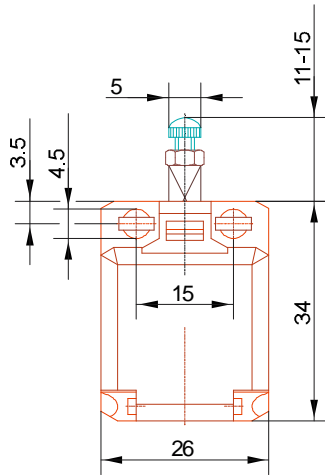
## Technical data sheet

**C2-U1Z St**

**600.8104.025**



Positive opening operation according to DIN EN 60947-5-1 IEC 947-5-1



Tolerance: operating point  $\pm 0.25\text{mm}$ ; actuating force  $\pm 10\%$

Schutzvermerk nach DIN 34 beachten  
Copyright reserved

29.11.99

### Mechanical features

Enclosure: PBT, glass fibre reinforced  
 Cover: PC, black  
 Actuator: Adjusting screw adjustable; thread M3 with a lock nut

Ambient air temperature:  $-30^{\circ}\text{C}$  up to  $+80^{\circ}\text{C}$   
 Contact type: 1 NC-contact, 1 NO-contact (Zb)

Mechanical life:  $3 \times 10^6$  switch operations  
 Switch frequency: max. 100/min  
 Mounting: from the top 2xM4, from the front 2xM3  
 Connection type: 4 screw connections (M3.5)  
 Conductor cross-section: single core  $0.5\text{-}1.5\text{mm}^2$  / litz wire with connector sleeve  $0.5\text{-}1.5\text{mm}^2$   
 Cable entry size: rectangle  $8.5 \times 3.5\text{mm}$   
 Weight: approx. 0,02kg

### Electrical features

Max. voltage: 250 V AC  
 Max. enduring current: 10 A  
 Max. inrush current: according to IEC 947-5-1  
 Utilization categorie: AC 15, A300 240V/3A, 120V/6A / DC 13, Q300 250V/0.27A, 125V/0.55A  
 Standards: according to EN 60947-1; EN 60947-5-1  
 Protection class: IP30 according to EN 60529; DIN VDE 0470 T1  
 CSA/UL: 10A 300V AC, A300  
 Short circuit protection: Fuse 6A gL

### Approach possibilities

The push bolt actuator is mainly intended to be actuated along it's axis.  
 Side actuation will considerably reduce switch life.

### Remarks

The moving parts should be oiled periodically.