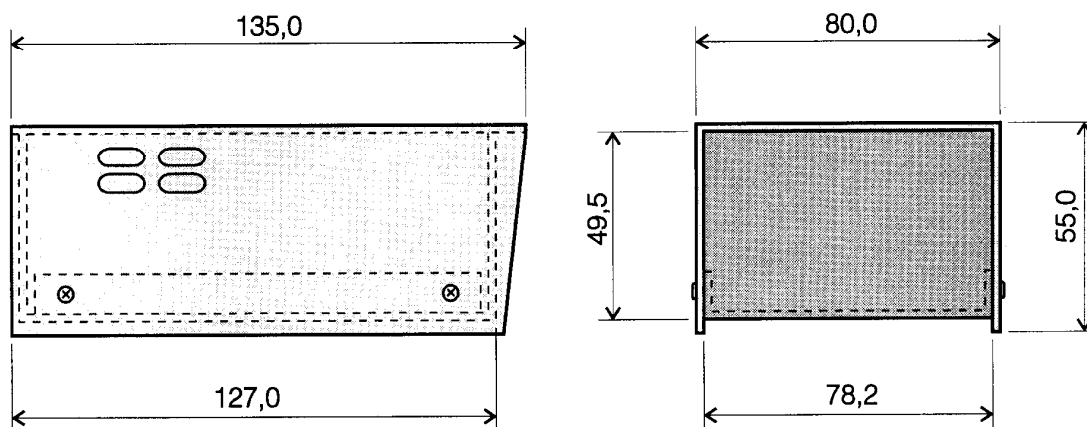
**INSTRUMENT CASE****PRODUCT SPECIFICATION**Sheet No. **PS 0712**

Date : 07.11.94

Issue No. 1

Sheet 1 of 1

Signature

Deltron Part No. **512-0900****Dimensions**

DIMENSIONS IN MILLIMETRES

Description

An adaptable range of instrument cases that provide an attractively styled housing for many purposes in the electronic instrumentation field, such as power supplies, controllers, amplifiers and meters etc.

They are of two-part, all steel construction, the cowl type hood covering reducing the glare from overhead lighting.

Finished in two-tone durable paint, the cases are of rugged construction making them suitable for all free standing uses. They also have side air vents as shown.

Features**MATERIAL**

COVER : Galvanised Mild Steel,
0,9mm thick,
light grey paint, textured

BASE : Galvanised Mild Steel,
1,2mm thick
dark grey paint, smooth

SCREWS : Mild Steel,
zinc plated