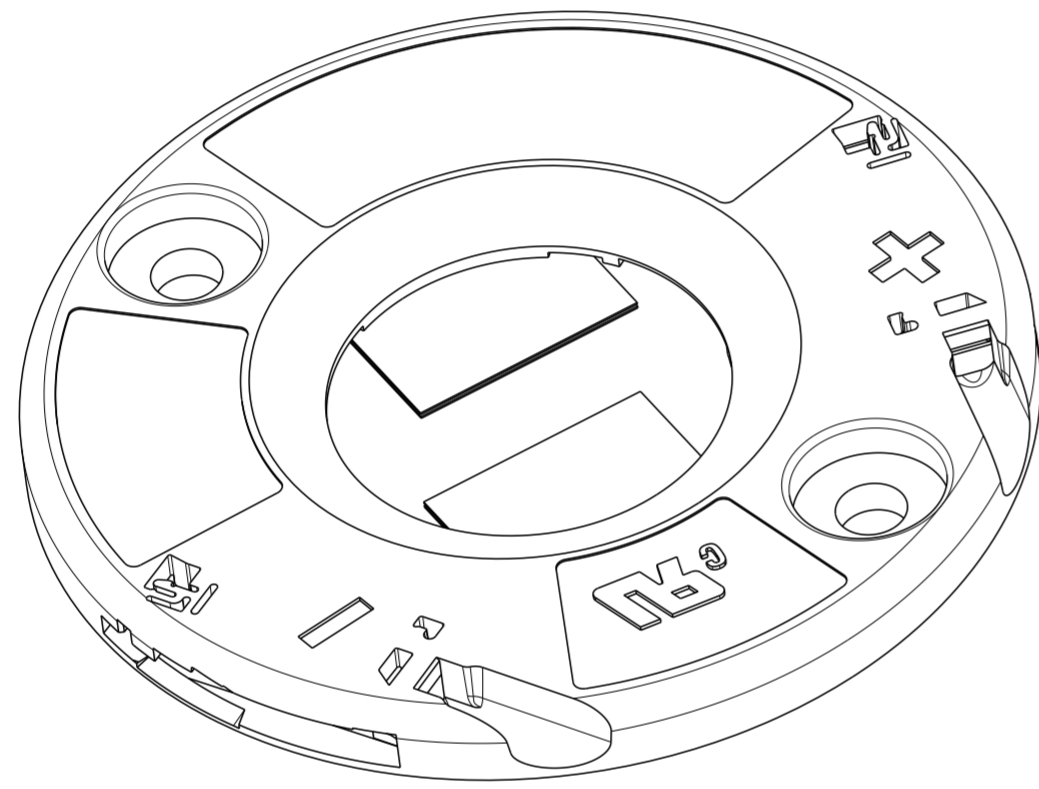


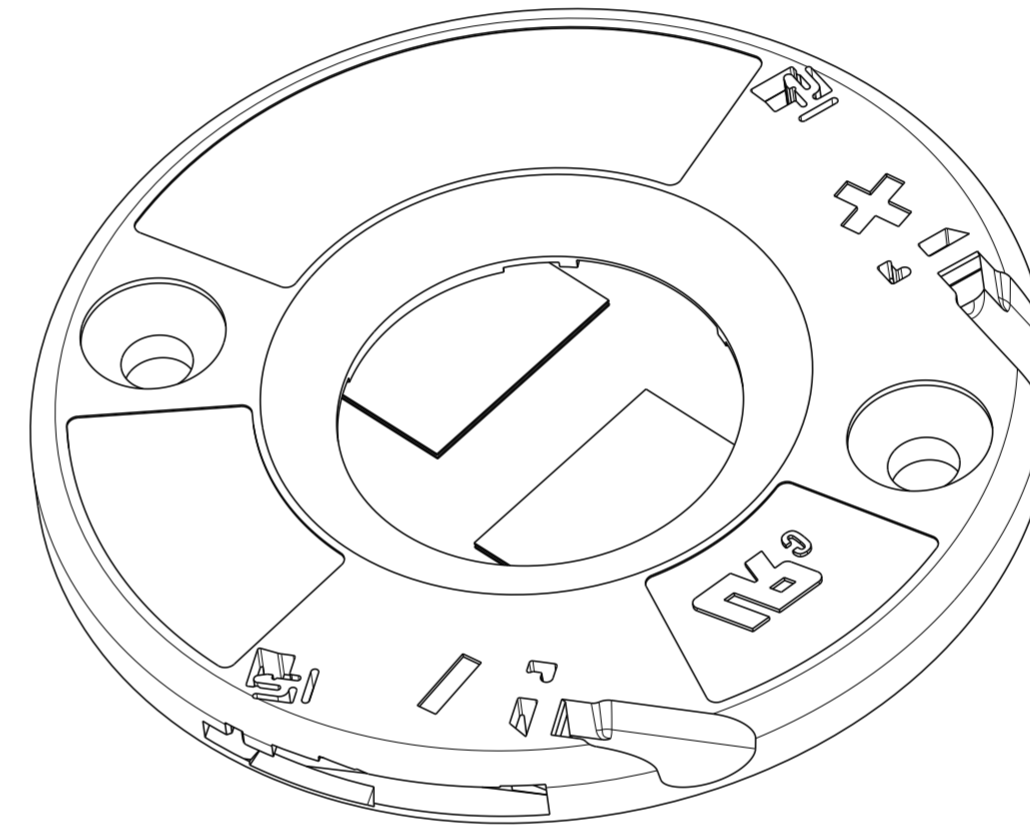
THIS DRAWING IS UNPUBLISHED. RELEASED FOR PUBLICATION 20  
 © COPYRIGHT 20 BY - ALL RIGHTS RESERVED.

REVISIONS				
P	LTR	DESCRIPTION	DATE	APVD
B		ECR-19-004750	13APR2019	SR JL
B1		ECR-19-013004	26AUG2019	SR JL
B2		ECR-20-000233	13JAN2020	SB JL
B3		ECR-20-000836	23JAN2020	SB JL

- 1 MATERIALS:  
 HOLDER: PBT ,COLOR: NATURAL;  
 CONTACTS: COPPER ALLOY, Au/Ni PLATING (LED INTERFACE)
2. FOR SOLID, FUSED AND STRANDED CONDUCTOR WIRE TYPES AWG 18 AND 20
3. WIRE STRIP LENGTH: 11-12mm
4. MAX. WIRE INSULATION OUTER DIA:  $\varnothing 2,3\text{mm}$
5. RECOMMENDED SCREW TORQUE: SEE APPLICATION SPECIFICATION 114-133107.
6. SCREWS TO BE USED: M3, #4-40
7. LED MATING ON 2 CORNERS WITH ADHESIVE TAPE 3M 9472LE 300LSE.
- 8 LAYOUTS ON SHEET 3
9. FOR COB-TO-HOLDER CROSS REFERENCE, REFER TO APPLICATION SPECIFICATION 114-32208



PAN HEAD  
SCALE 3:1



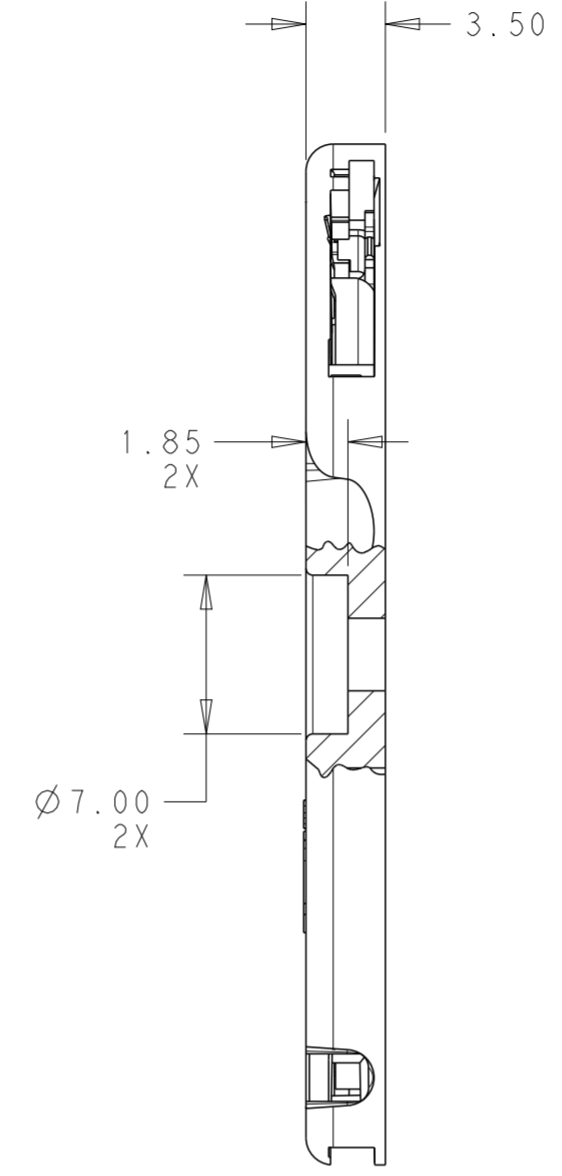
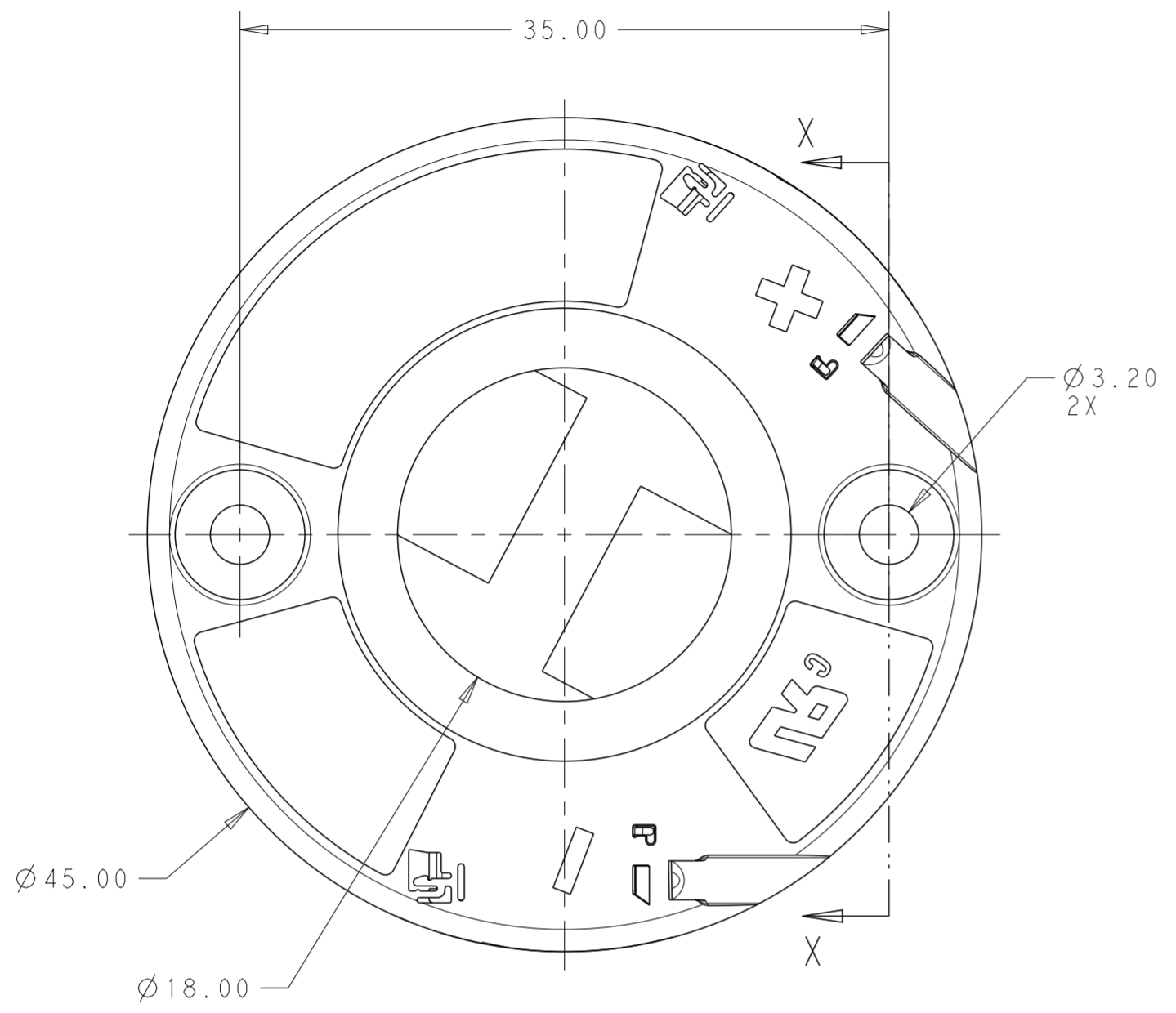
COUNTERSINK  
SCALE 3:1

A	PAN HEAD	4-2325811-2
C	COUNTERSINK	3-2325811-1
C	PAN HEAD	2-2325811-1
B	COUNTERSINK	1-2325811-3
B	PAN HEAD	2325811-3
A	COUNTERSINK	1-2325811-2
A	PAN HEAD	2325811-2
LED LAYOUT 8		DESCRIPTION PART NO.

THIS DRAWING IS A CONTROLLED DOCUMENT.		DWN	20DEC2017	STE		TE Connectivity	
DIMENSIONS:		CHK <td>C. DAILY <td colspan="2">NAME</td> <td colspan="2">LED HOLDER, 20x24</td> </td>	C. DAILY <td colspan="2">NAME</td> <td colspan="2">LED HOLDER, 20x24</td>	NAME		LED HOLDER, 20x24	
TOLERANCES UNLESS OTHERWISE SPECIFIED:		APVD <td>J. LATORRE <td colspan="2">PRODUCT SPEC</td> <td colspan="2">LUMAWISE Z45 LED</td> </td>	J. LATORRE <td colspan="2">PRODUCT SPEC</td> <td colspan="2">LUMAWISE Z45 LED</td>	PRODUCT SPEC		LUMAWISE Z45 LED	
mm		APVD <td>-</td> <td colspan="2">APPLICATION SPEC</td> <td colspan="2">-</td>	-	APPLICATION SPEC		-	
0 PLC ±		PRODUCT SPEC	108-133062	SIZE	CAGE CODE	DRAWING NO	RESTRICTED TO
1 PLC ±0.2		APPLICATION SPEC	114-133107	A2	00779	C-2325811	-
2 PLC ±0.13		WEIGHT	-	SCALE		SHEET 1 OF 4	
3 PLC ±		CUSTOMER DRAWING		2:1		REV B3	
4 PLC ±							
ANGLES ±2°							
FINISH							
MATERIAL							

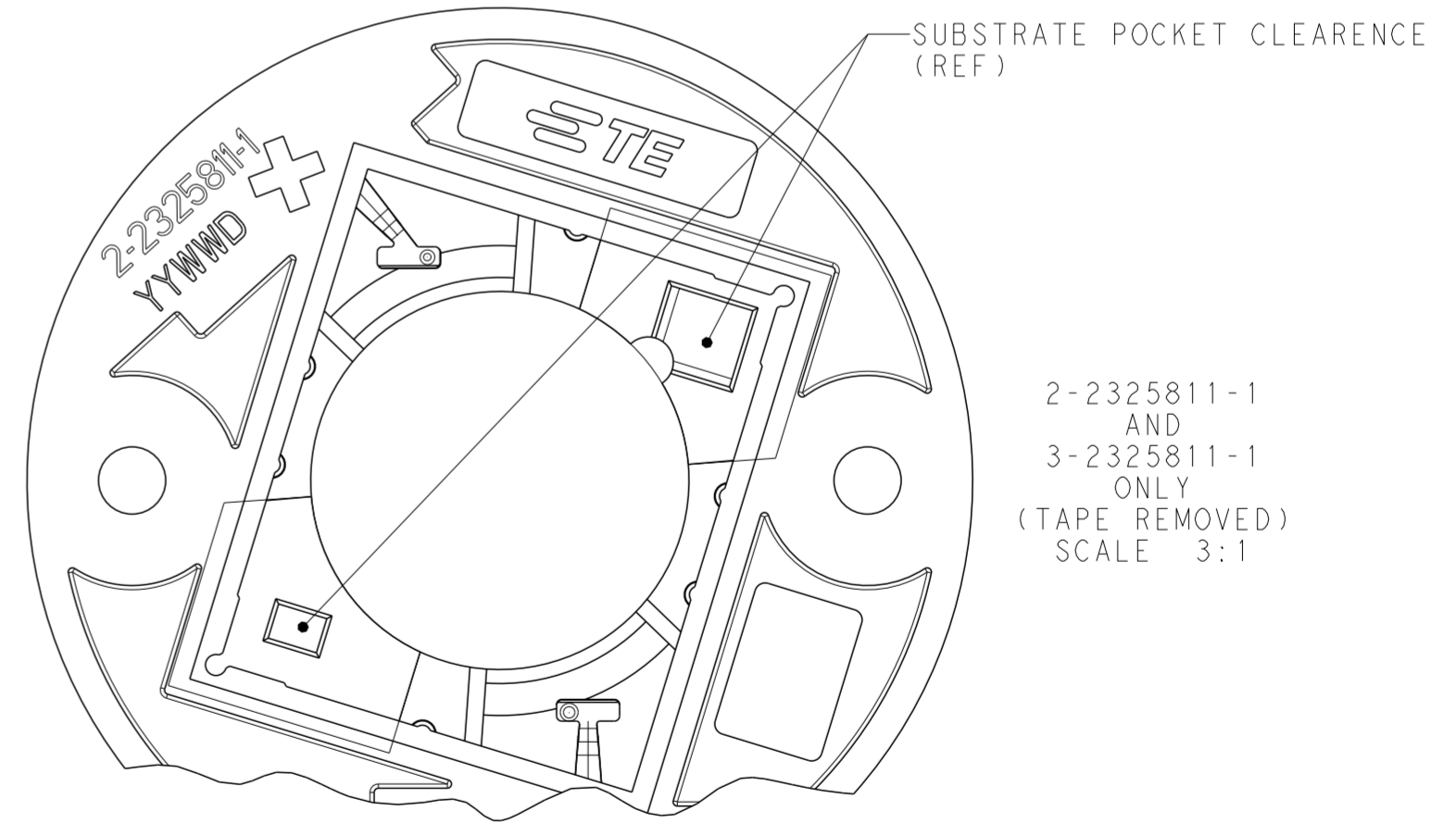
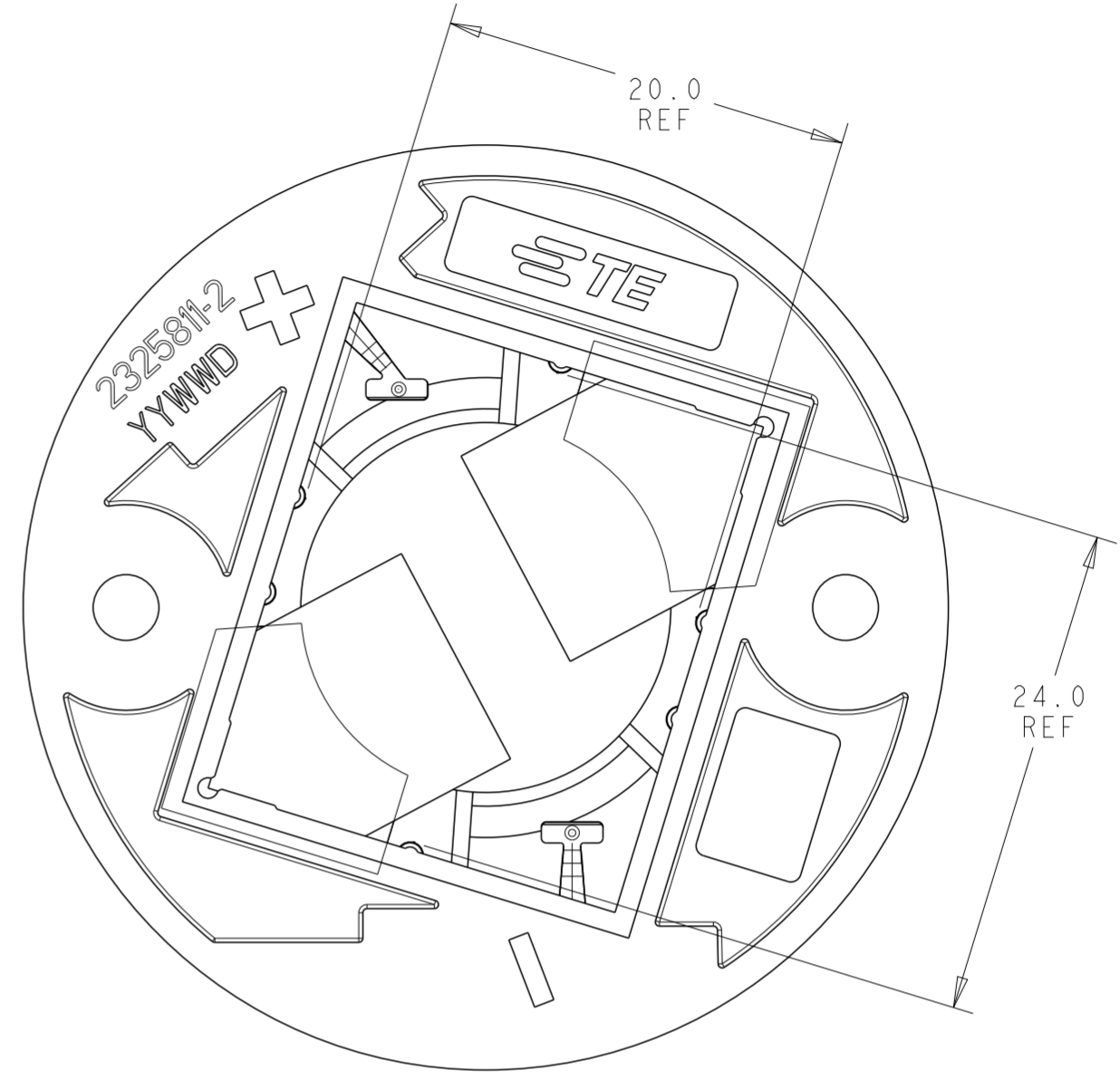
THIS DRAWING IS UNPUBLISHED. RELEASED FOR PUBLICATION 20  
 © COPYRIGHT 20 BY - ALL RIGHTS RESERVED.

REVISIONS				
P	LTR	DESCRIPTION	DATE	APVD
-	-	SEE SHEET 1	-	-

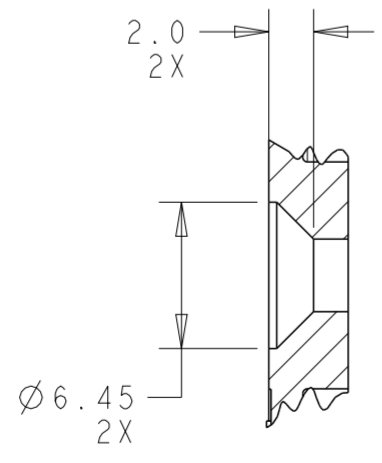


SECTION X - X

2325811-2 SHOWN  
SCALE 3:1



2-2325811-1  
AND  
3-2325811-1  
ONLY  
(TAPE REMOVED)  
SCALE 3:1

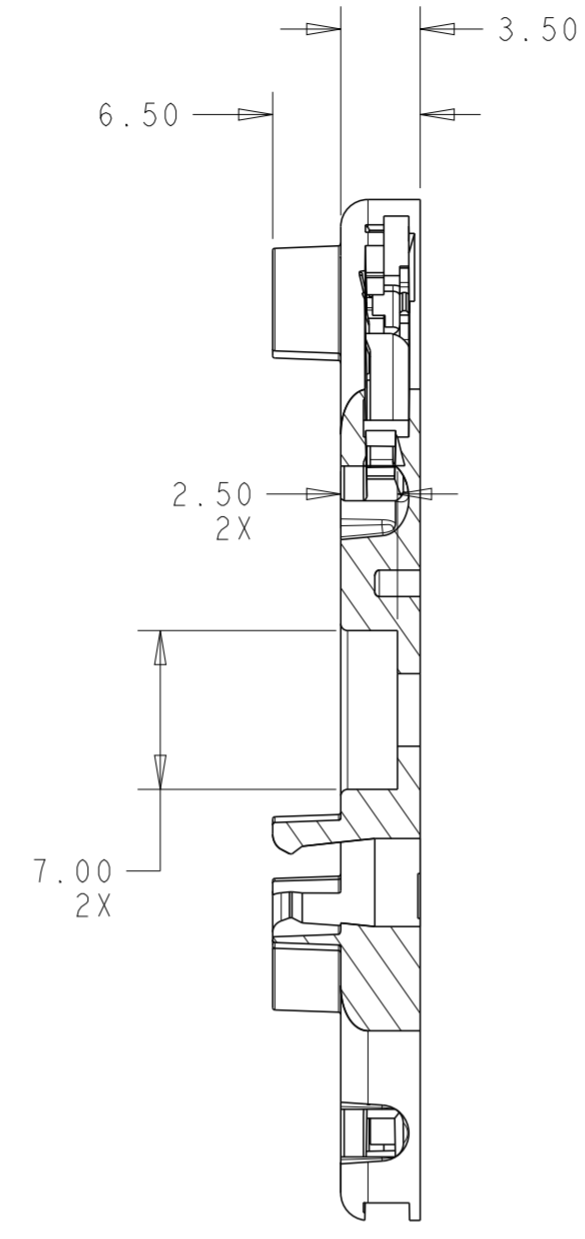
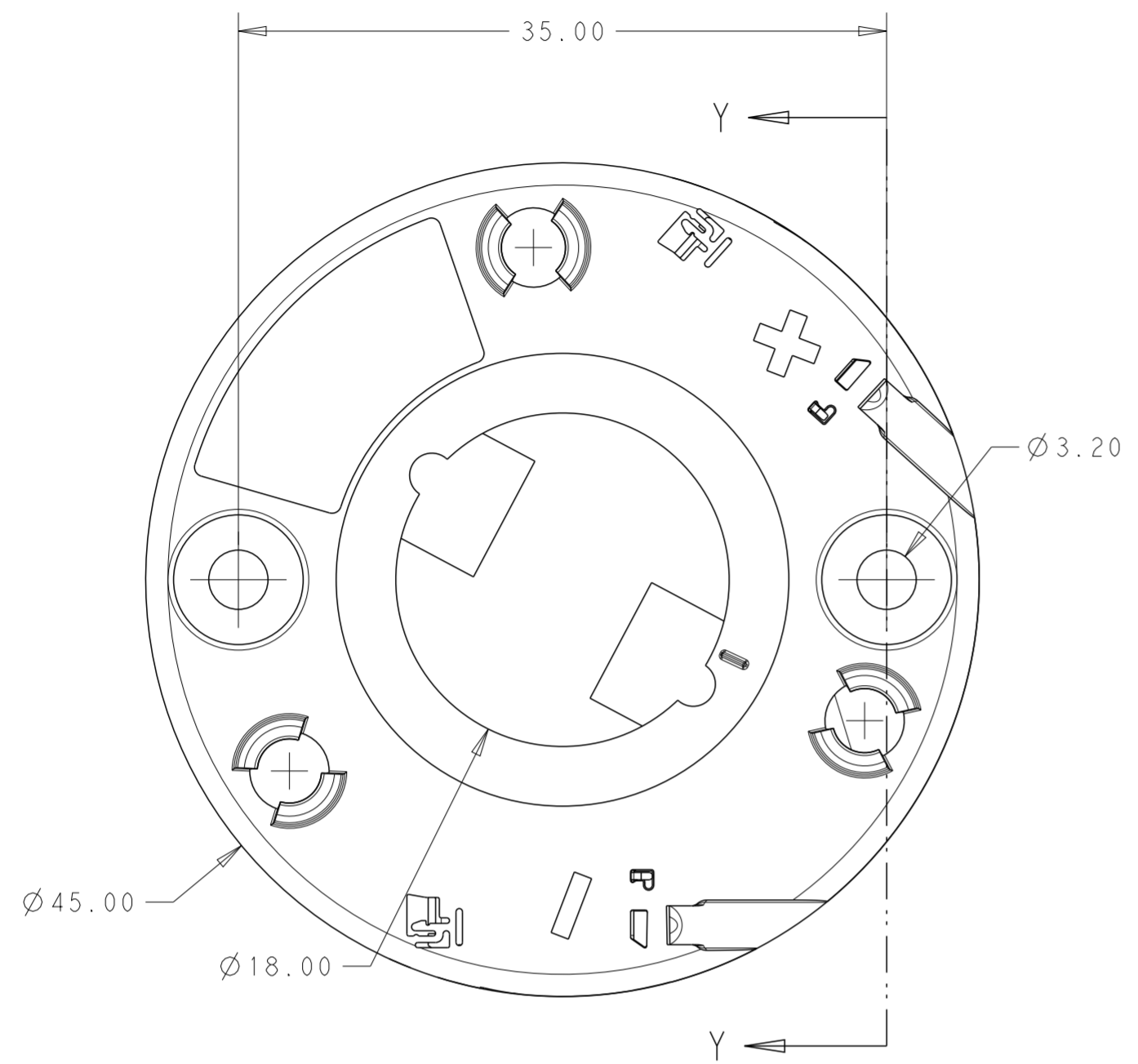


SECTION X - X  
1-2325811-2 SHOWN  
SCALE 3:1

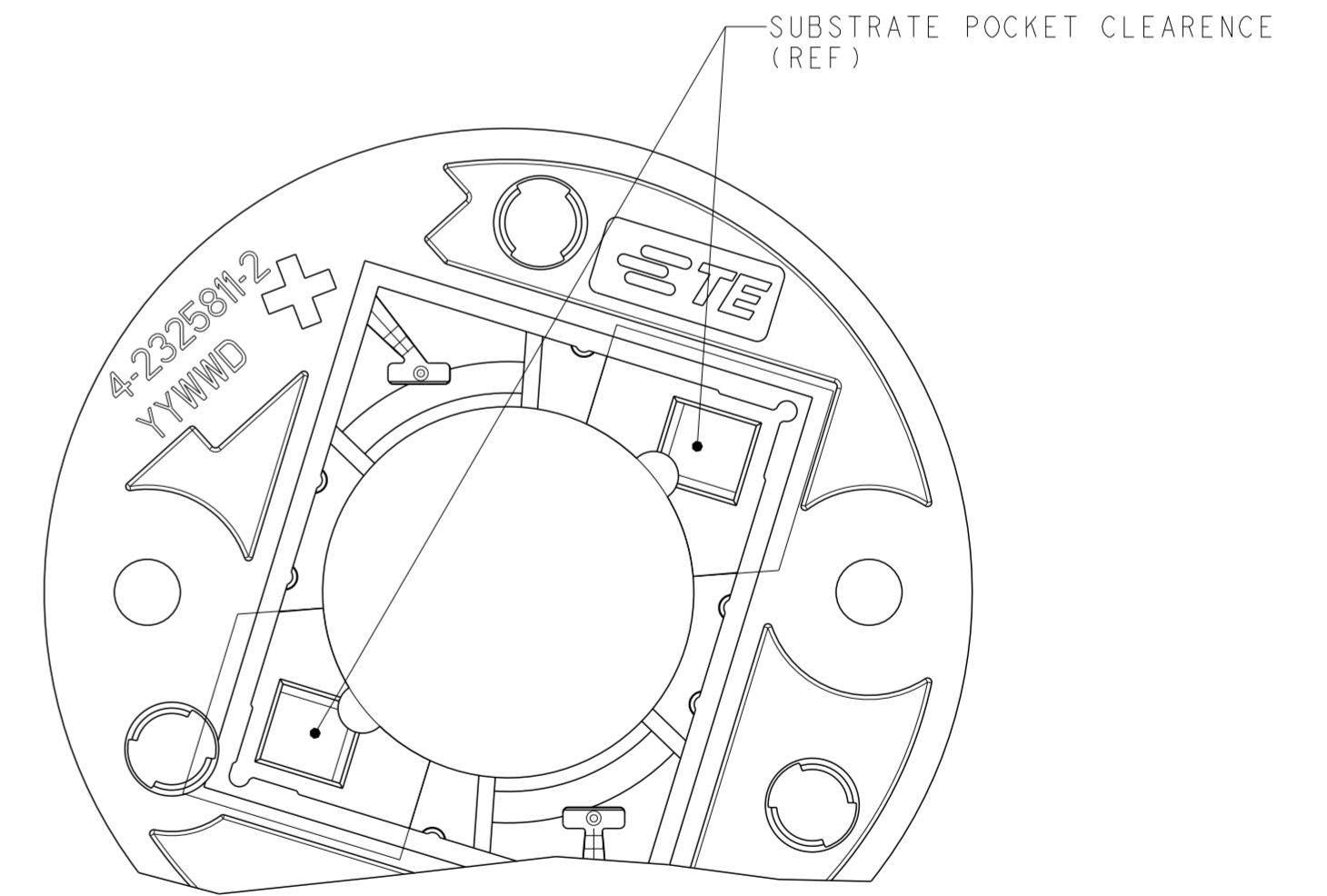
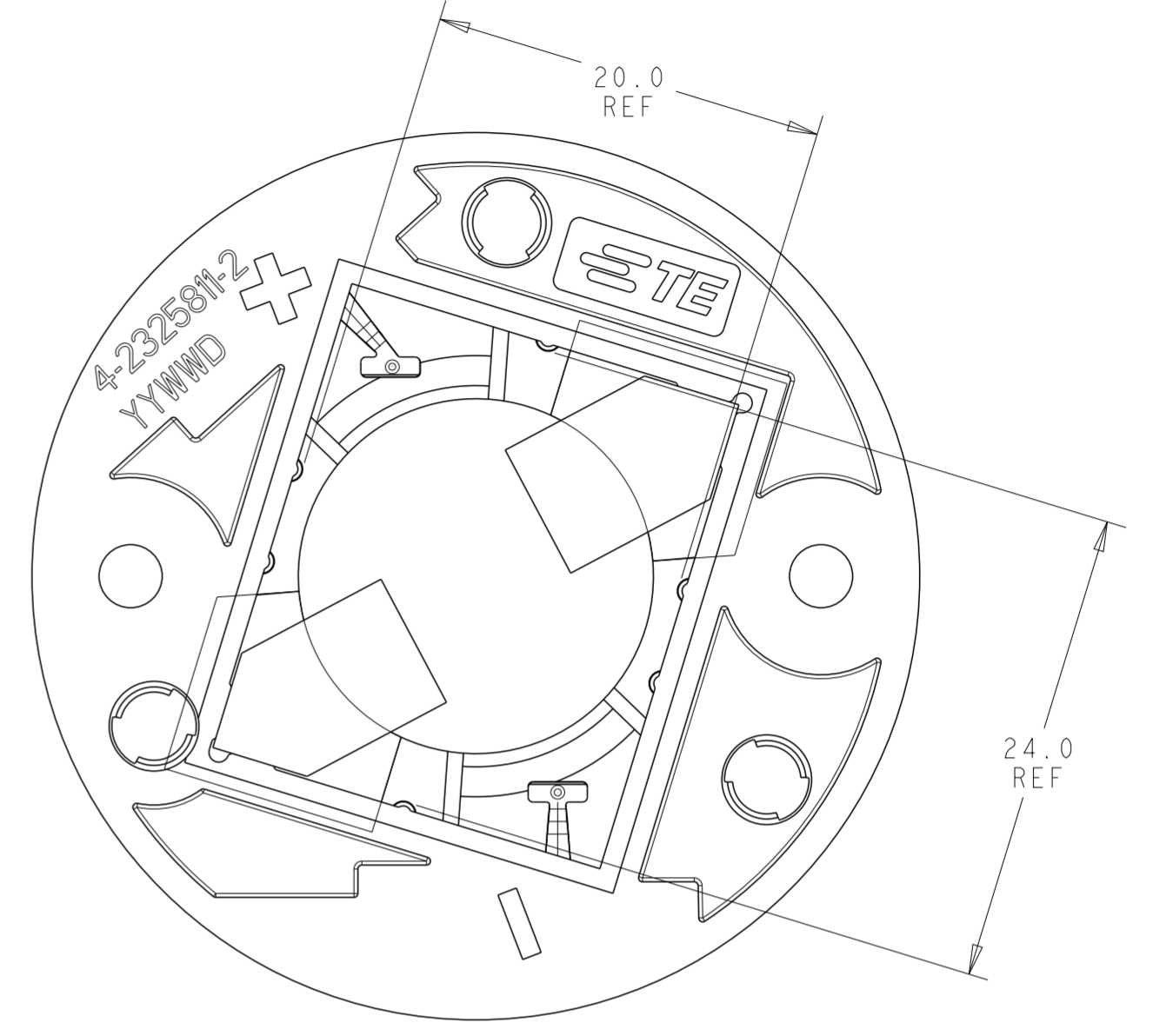
THIS DRAWING IS A CONTROLLED DOCUMENT.		DWN C. DAILY 20DEC2017	TE Connectivity	
		CHK J. LATORRE 20DEC2017		
DIMENSIONS: mm		APVD -	NAME LED HOLDER, 20x24 LUMAWISE Z45 LED	
TOLERANCES UNLESS OTHERWISE SPECIFIED: 0 PLC ± 1 PLC ±0.2 2 PLC ±0.13 3 PLC ± 4 PLC ± ANGLES ±2° FINISH		PRODUCT SPEC 108-133062	SIZE -	
MATERIAL -		APPLICATION SPEC 114-133107	CAGE CODE A200779	DRAWING NO C-2325811
		WEIGHT -	RESTRICTED TO -	
		CUSTOMER DRAWING	SCALE 2:1	SHEET 2 OF 4
			REV B3	


THIS DRAWING IS UNPUBLISHED. RELEASED FOR PUBLICATION 20  
 © COPYRIGHT 20 BY - ALL RIGHTS RESERVED.

REVISIONS					
P	LTR	DESCRIPTION	DATE	DWN	APVD
-	-	SEE SHEET 1	-	-	-



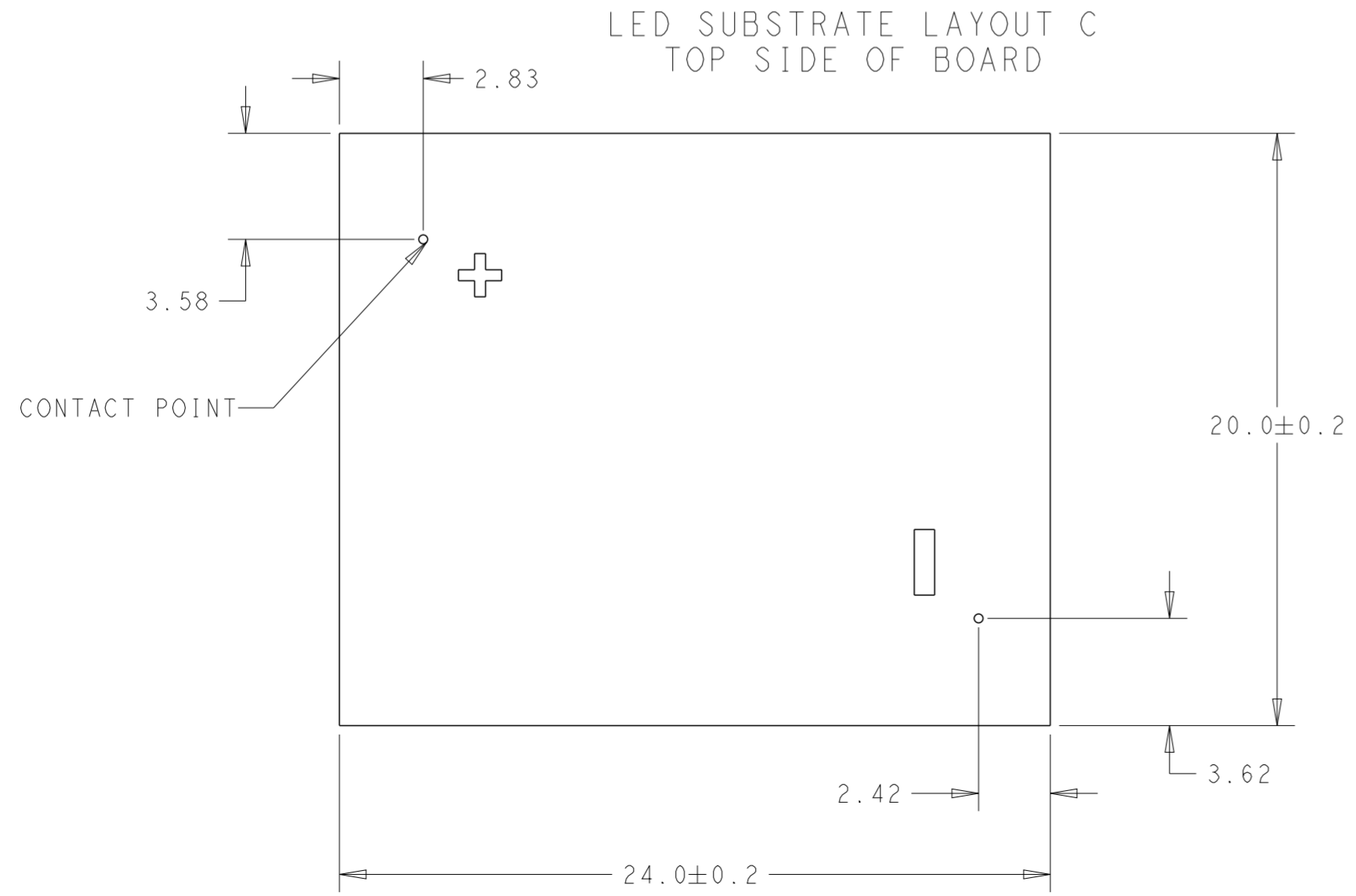
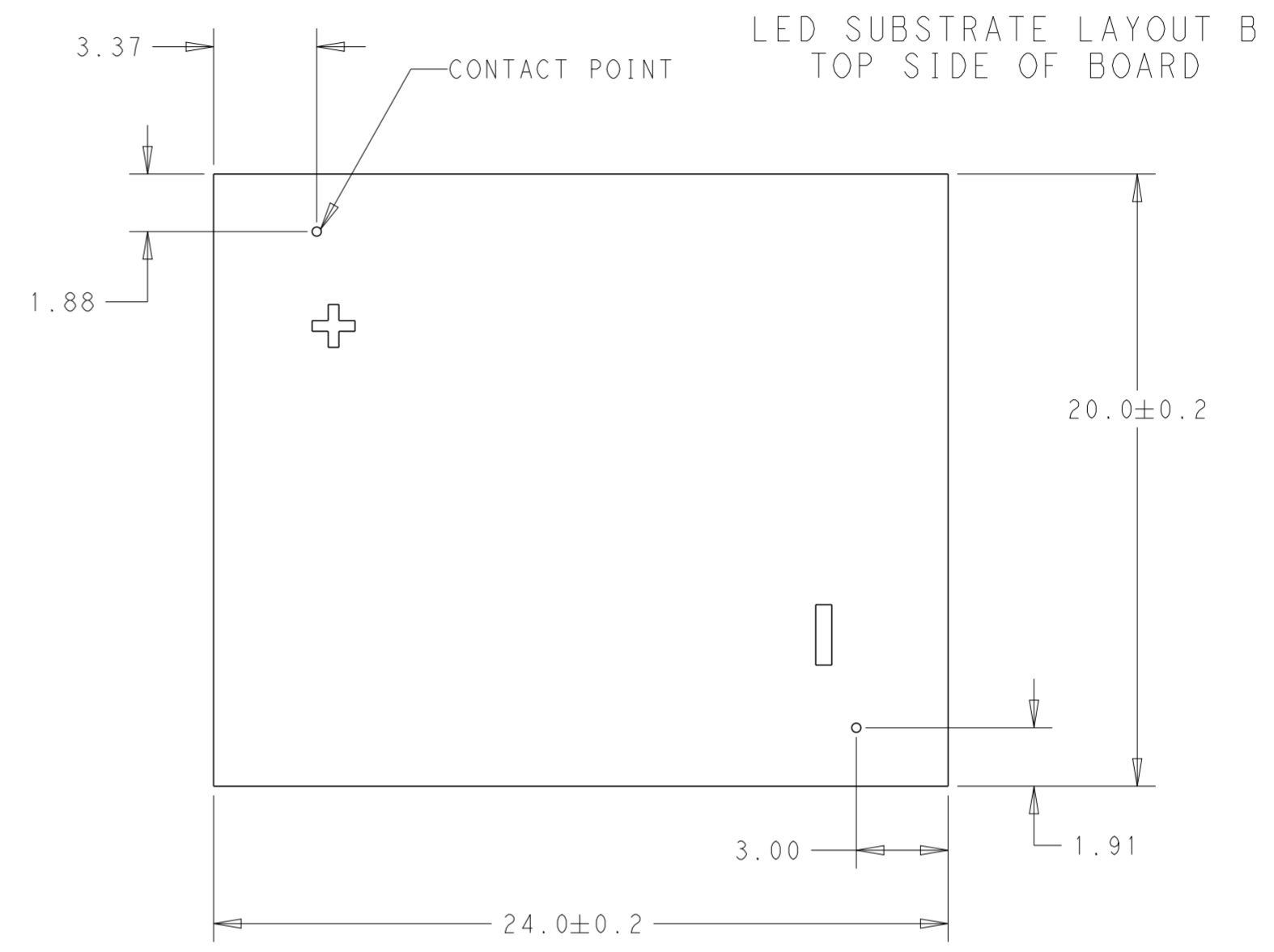
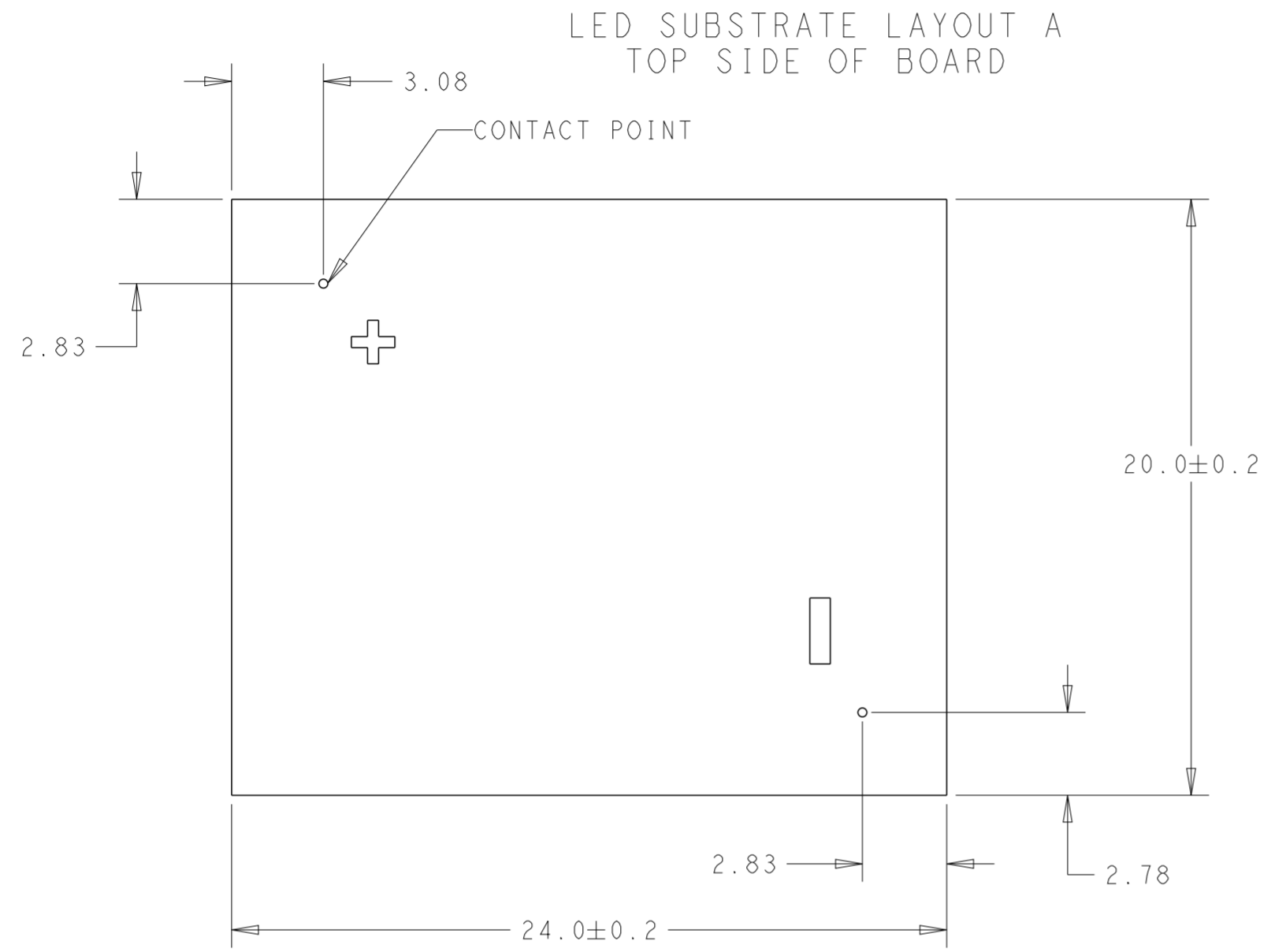
SECTION Y-Y  
 4-2325811-2 AS SHOWN



THIS DRAWING IS A CONTROLLED DOCUMENT.		DWN C. DAILY 20DEC2017	 TE Connectivity	
DIMENSIONS: mm		CHK J. LATORRE 20DEC2017		
TOLERANCES UNLESS OTHERWISE SPECIFIED:		APVD -	NAME LED HOLDER, 20x24 LUMAWISE Z45 LED	
0 PLC	±	PRODUCT SPEC 108-133062	SIZE A2	CAGE CODE 00779
1 PLC	±0.2	APPLICATION SPEC 114-133107	DRAWING NO C-2325811	RESTRICTED TO -
2 PLC	±0.13	WEIGHT -	SCALE 3:1	SHEET 3 OF 4
3 PLC	±	CUSTOMER DRAWING	REV B3	
4 PLC	±			
ANGLES	±2°			
FINISH	-			

THIS DRAWING IS UNPUBLISHED. RELEASED FOR PUBLICATION 20  
 © COPYRIGHT 20 BY - ALL RIGHTS RESERVED.

REVISIONS				
P	LTR	DESCRIPTION	DATE	APVD
-	-	SEE SHEET 1	-	-



THIS DRAWING IS A CONTROLLED DOCUMENT.		DWN C. DAILY 20DEC2017	<b>STE</b> TE Connectivity	
		CHK J. LATORRE 20DEC2017		
DIMENSIONS: mm		TOLERANCES UNLESS OTHERWISE SPECIFIED:		APVD -
		0 PLC ±	NAME LED HOLDER, 20x24 LUMAWISE Z45 LED	
		1 PLC ±0.2	PRODUCT SPEC 108-133062	
		2 PLC ±0.13	APPLICATION SPEC 114-133107	
		3 PLC ±	SIZE A200779	
MATERIAL -		4 PLC ±	ANGLE ±	DRAWING NO C-2325811
-		FINISH -	RESTRICTED TO -	SCALE 2:1 SHEET 4 OF 4 REV B3
-				CUSTOMER DRAWING