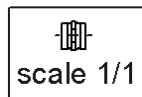
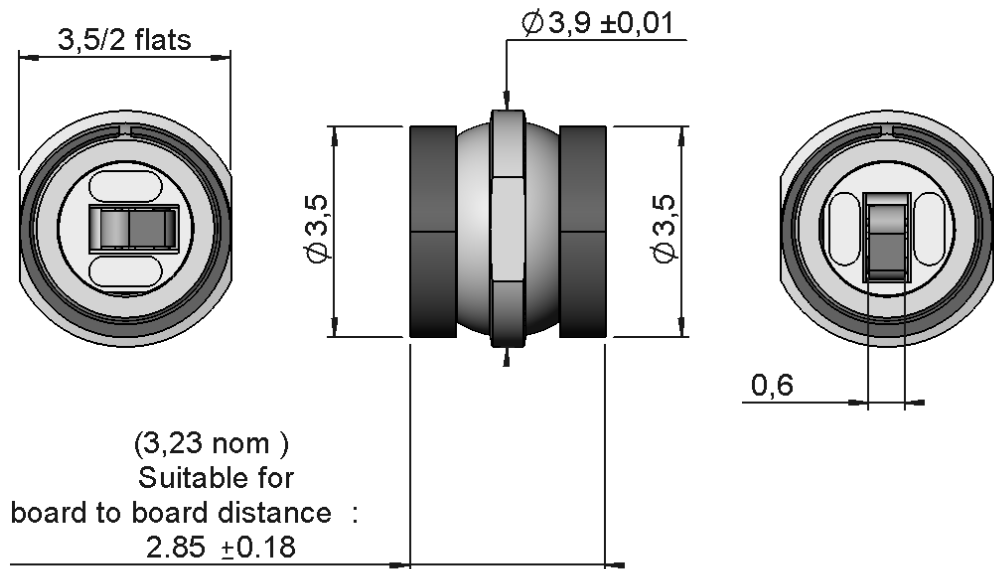
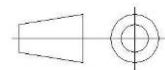


PAGE 1/3	ISSUE 29-10-18A	SERIES IMP	PART NUMBER R107803000
----------	-----------------	------------	-------------------------------



All dimensions are in mm. Tolerances according ISO 2768 m-H



COMPONENTS	MATERIALS	PLATING (μm)
Body	BRONZE	NPGR
Center contact	BERYLLIUM COPPER	GOLD 1.3 OVER NICKEL2
Outer contact		
Insulator	PEEK	
Gasket		
Others parts	BERYLLIUM COPPER	NPGR
-	-	-
-	-	-

PAGE 2/3	ISSUE 29-10-18A	SERIES IMP	PART NUMBER R107803000
----------	-----------------	------------	------------------------

PACKAGING

Standard	Unit	Other
100	Contact us	Contact us

ELECTRICAL CHARACTERISTICS

Impedance		50	Ω
Frequency		0-18	GHz
VSWR	* +	0,0000	x F(GHz) Maxi
Insertion loss		**	√F(GHz) dB Maxi
RF leakage	- (NA	- F(GHz)) dB Maxi
Voltage rating		225	Veff Maxi
Dielectric withstanding voltage		500	Veff mini
Insulation resistance		1000	MΩ mini

ENVIRONMENTAL

Operating temperature	-55/+125	°C
Hermetic seal	NA	Atm.cm3/s
Panel leakage	NA	

MECHANICAL CHARACTERISTICS

Center contact retention			
Axial force – Mating End		0.5	N mini
Axial force – Opposite end		0.5	N mini
Torque		NA	N.cm mini

SPECIFICATION

OTHER CHARACTERISTICS

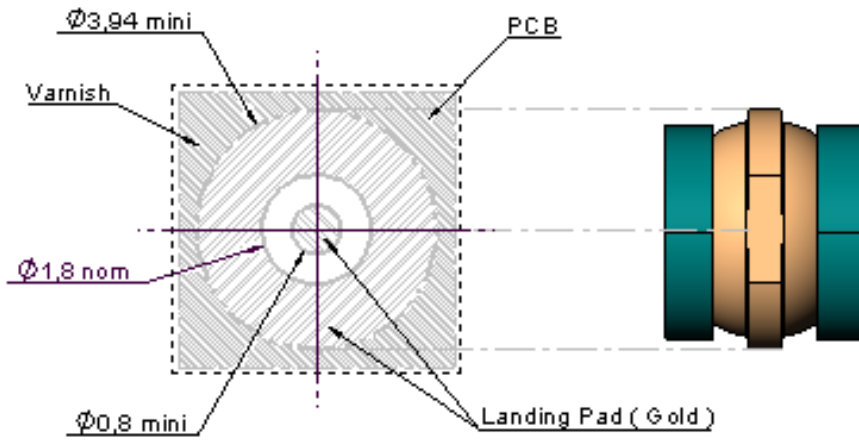
Recommended torque			
Mating		NA	N.cm
Panel nut		NA	N.cm

Assembly instruction:

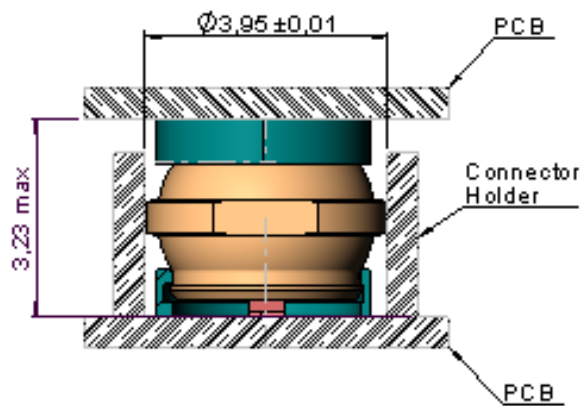
Mating life		50	Cycles mini
Nominal Weight (Add +15% for max weight)		0,1600	g

Others:
***VSWR: 1.3max DC-12GHz**
***VSWR: 1.55 max -->18GHz**
****0.25dB max at 18Ghz**

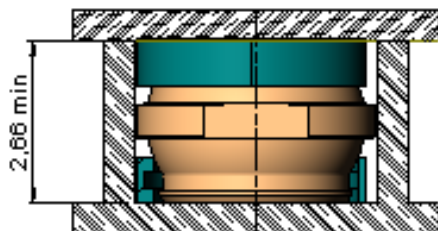
PAGE 3/3	ISSUE 29-10-18A	SERIES IMP	PART NUMBER R107803000
----------	-----------------	------------	------------------------



2 - UNCOMPRESSED



3 - COMPRESSED



Mouser Electronics

Authorized Distributor

Click to View Pricing, Inventory, Delivery & Lifecycle Information:

[Radial:](#)

[R107803000](#)