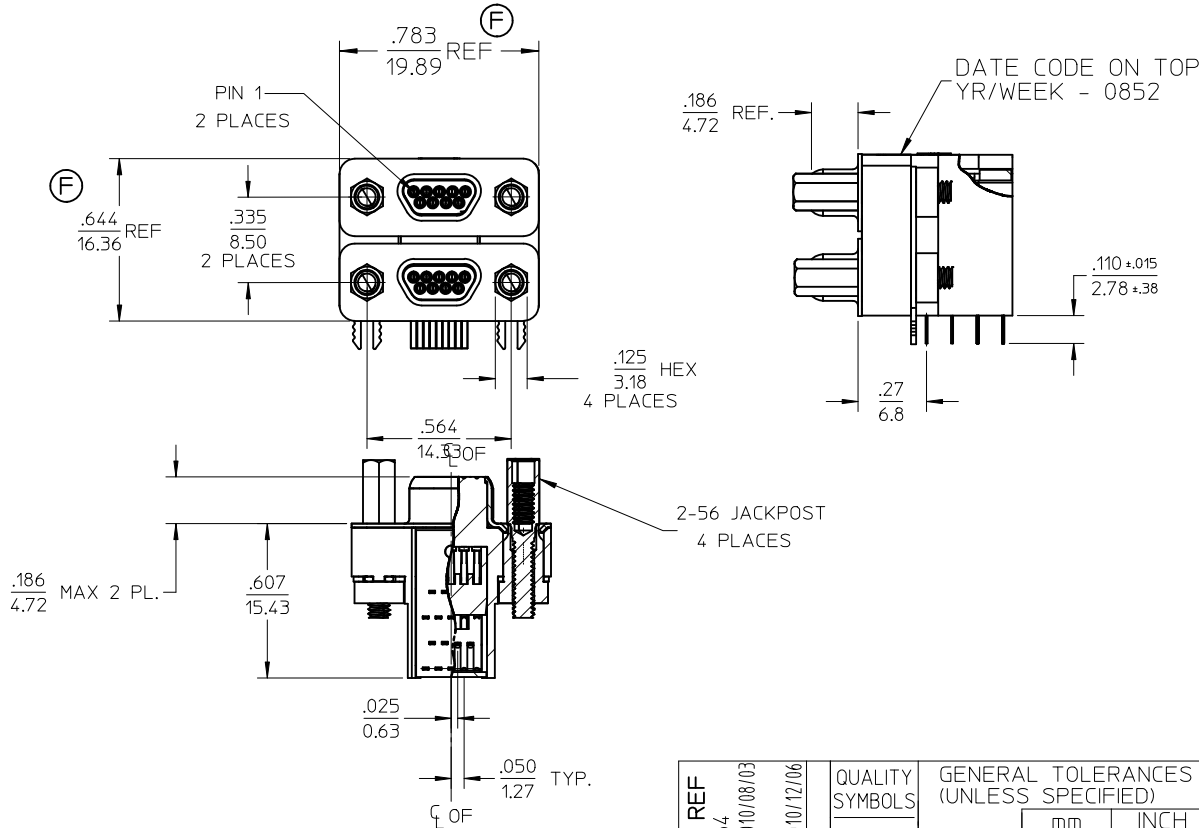
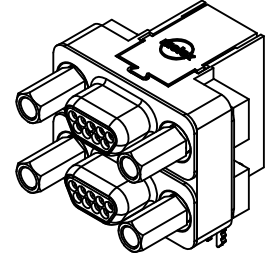
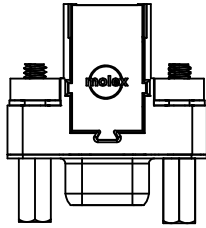


MATERIAL NO.	ENGINEERING NO.
836199003	83619-9003

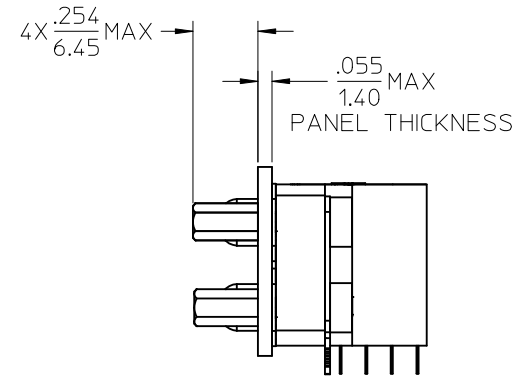
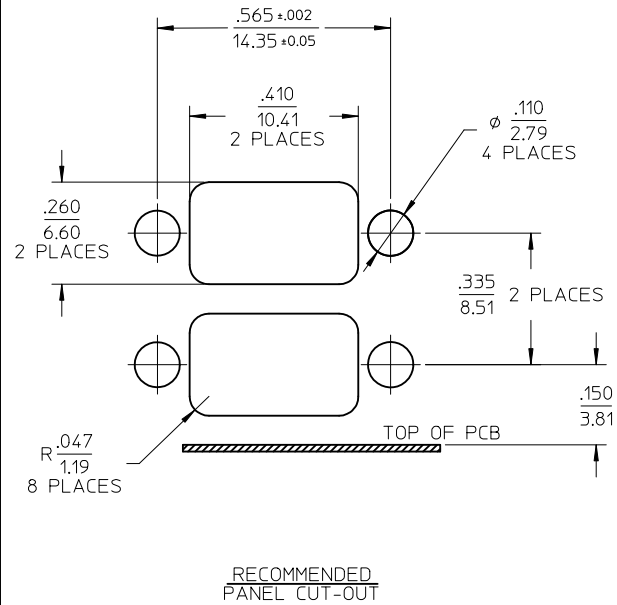
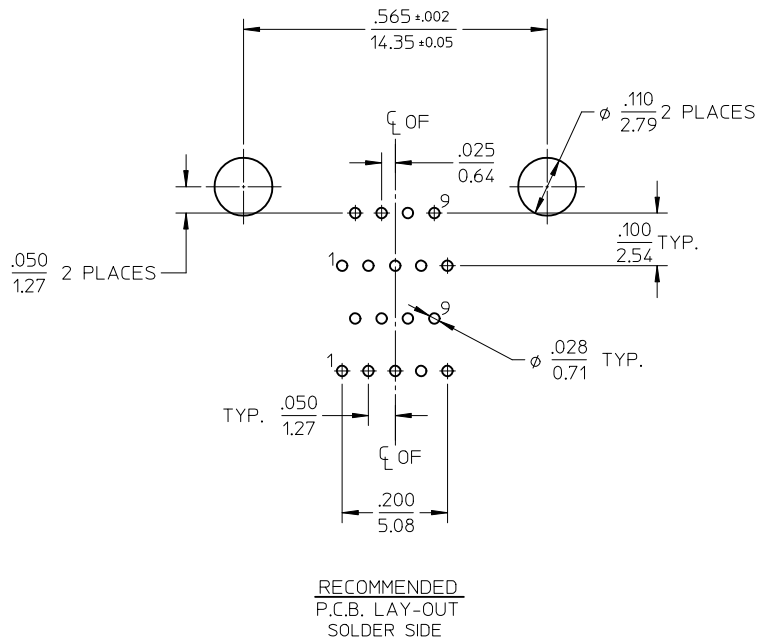


SALES DRAWING

- 4. RoHS COMPLIANT
 - 3. FOR PRODUCT SPEC SEE PS-83421-001
 - 2. SEE SHEET 2 OF 2 FOR P.C.B. LAYOUT AND PANEL CUT-OUT DIMENSIONS.
 - 1. MARKING: NONE.
- NOTES UNLESS OTHERWISE SPECIFIED

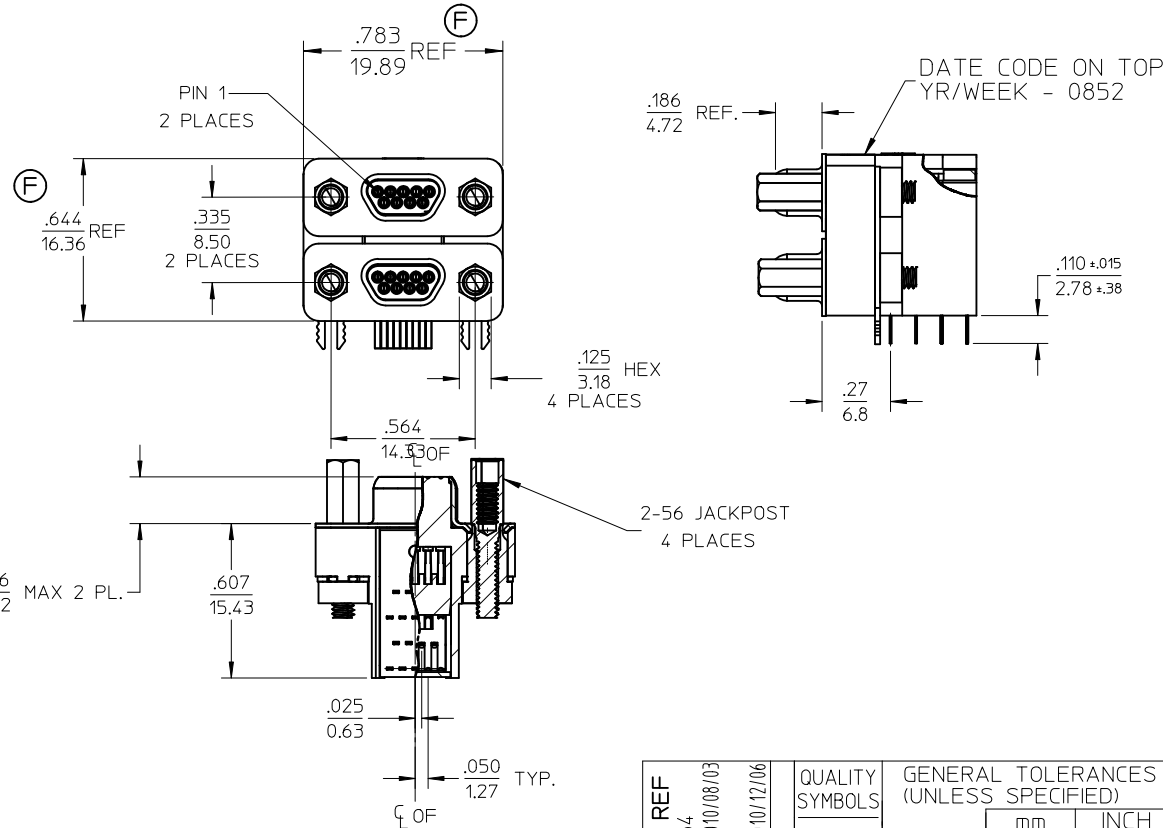
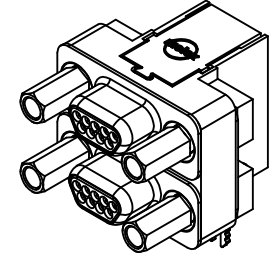
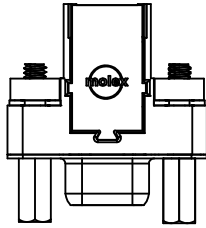
UPDATE DIM TO REF EC NO: WNA2011-0064 DRWN: BRUPERT 2010/08/03 CHYD: APPR: JFMURPHY 2010/12/06 REV	QUALITY SYMBOLS	GENERAL TOLERANCES (UNLESS SPECIFIED)	DIMENSION STYLE	SCALE	DESIGN UNITS	THIRD ANGLE PROJECTION	
	$\nabla=0$ $\sphericalangle=0$	mm INCH 4 PLACES ± --- ± --- 3 PLACES ± --- ± .005 2 PLACES ± 0.13 ± .01 1 PLACE ± 0.25 ± --- ANGULAR ± 1/2°	IN/MM	2:1	INCH		
			DRAWN BY: JLOMASTR DATE: 04/09/20 CHECKED BY: DATE: RDEROSS 04/09/27 APPROVED BY: DATE: JFMURPHY 2010/12/06	TITLE	DUAL CONN PLG RT ANG, COMM-D, SIZE 9		
		DRAFT WHERE APPLICABLE MUST REMAIN WITHIN DIMENSIONS	MATERIAL NO. SEE CHART SIZE: A3 THIS DRAWING CONTAINS INFORMATION THAT IS PROPRIETARY TO MOLEX INCORPORATED AND SHOULD NOT BE USED WITHOUT WRITTEN PERMISSION	MOLEX INCORPORATED DOCUMENT NO. SD-83619-008 SHEET NO. 1 OF 2			

10	9	8	7	6	5	4	3	2	1
MATERIAL NO.	ENGINEERING NO.								
836199003	83619-9003								



REDRAWN EC NO: WNA2011-0064 DRWN:BRUPERT 2010/08/03 CHKD: APPR: JFMURPHY 2010/12/06 REV DESCRIPTION	QUALITY SYMBOLS	GENERAL TOLERANCES (UNLESS SPECIFIED) <table border="1"> <thead> <tr> <th></th> <th>mm</th> <th>INCH</th> </tr> </thead> <tbody> <tr> <td>4 PLACES</td> <td>± ---</td> <td>± ---</td> </tr> <tr> <td>3 PLACES</td> <td>± ---</td> <td>± .005</td> </tr> <tr> <td>2 PLACES</td> <td>± 0.13</td> <td>± .01</td> </tr> <tr> <td>1 PLACE</td> <td>± 0.25</td> <td>± ---</td> </tr> </tbody> </table> ANGULAR ± 1/2°		mm	INCH	4 PLACES	± ---	± ---	3 PLACES	± ---	± .005	2 PLACES	± 0.13	± .01	1 PLACE	± 0.25	± ---	DIMENSION STYLE	SCALE	DESIGN UNITS	THIRD ANGLE PROJECTION
			mm	INCH																	
	4 PLACES		± ---	± ---																	
	3 PLACES		± ---	± .005																	
2 PLACES	± 0.13	± .01																			
1 PLACE	± 0.25	± ---																			
		IN/MM	2:1	INCH																	
		DRAWN BY	DATE	TITLE																	
		JLOMASTR	04/09/20	DUAL CONN PLG RT ANG,COMM-D,SIZE 9																	
		CHECKED BY	DATE	MATERIAL NO.																	
		RDEROSS	04/09/27	SD-83619-008																	
		APPROVED BY	DATE	SHEET NO.																	
		JFMURPHY	2010/12/06	2 OF 2																	
		MATERIAL NO.		DOCUMENT NO.																	
		SEE CHART		SD-83619-008																	
		DRAFT WHERE APPLICABLE MUST REMAIN WITHIN DIMENSIONS																			
		SIZE	THIS DRAWING CONTAINS INFORMATION THAT IS PROPRIETARY TO MOLEX INCORPORATED AND SHOULD NOT BE USED WITHOUT WRITTEN PERMISSION																		
		A3																			

MATERIAL NO.	ENGINEERING NO.
836199003	83619-9003

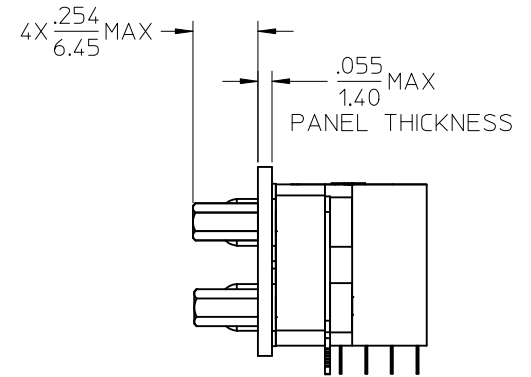
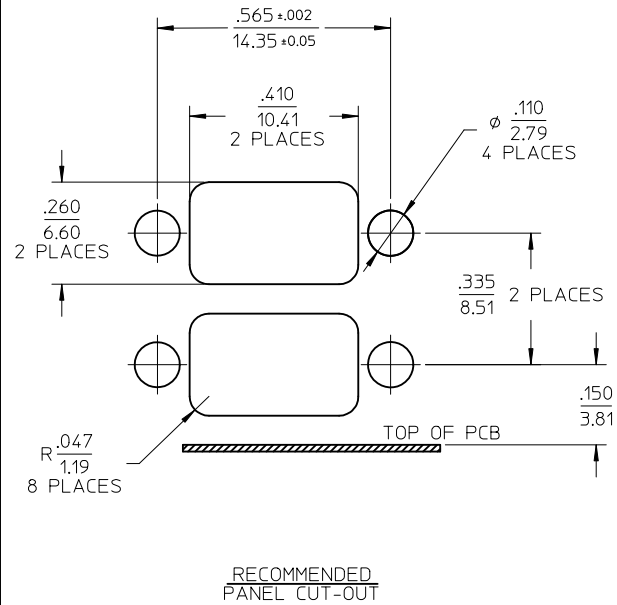
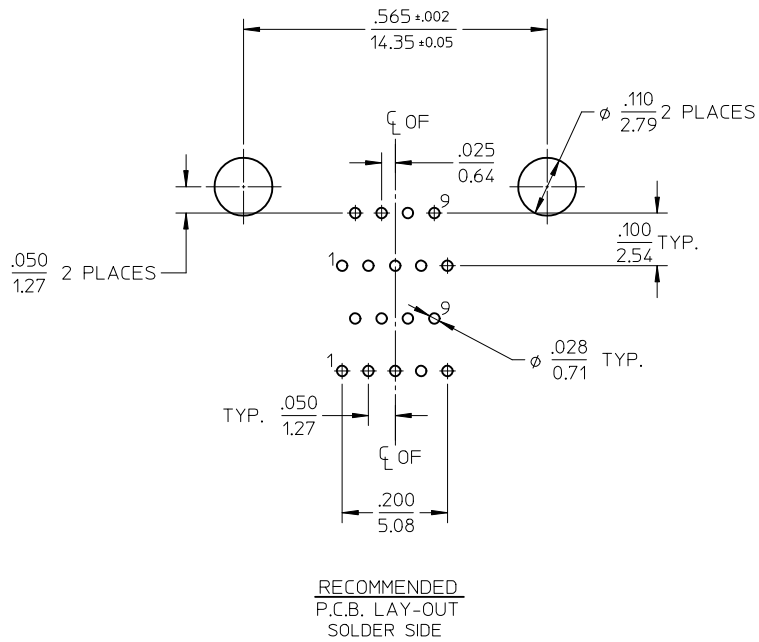


SALES DRAWING

- 4. RoHS COMPLIANT
 - 3. FOR PRODUCT SPEC SEE PS-83421-001
 - 2. SEE SHEET 2 OF 2 FOR P.C.B. LAYOUT AND PANEL CUT-OUT DIMENSIONS.
 - 1. MARKING: NONE.
- NOTES UNLESS OTHERWISE SPECIFIED

UPDATE DIM TO REF EC NO: WNA2011-0064 DRWN: BRUPERT 2010/08/03 CHKD: APPR: JFMURPHY 2010/12/06 REV	QUALITY SYMBOLS	GENERAL TOLERANCES (UNLESS SPECIFIED)		DIMENSION STYLE		SCALE	DESIGN UNITS	THIRD ANGLE PROJECTION	
	$\nabla=0$ $\sphericalangle=0$	mm	INCH	IN/MM		2:1	INCH		
		4 PLACES ± ---	± ---	DRAWN BY	DATE	TITLE			
		3 PLACES ± ---	± .005	JLOMASTR	04/09/20	DUAL CONN PLG RT ANG, COMM-D, SIZE 9			
	2 PLACES ± 0.13	± .01	CHECKED BY	DATE	MOLEX INCORPORATED				
	1 PLACE ± 0.25	± ---	RDEROSS	04/09/27	DOCUMENT NO.				
	ANGULAR ± 1/2°		APPROVED BY	DATE	SD-83619-008				
	DRAFT WHERE APPLICABLE MUST REMAIN WITHIN DIMENSIONS		JFMURPHY	2010/12/06	SHEET NO.				
			MATERIAL NO.	SEE CHART		1 OF 2			
			SIZE	THIS DRAWING CONTAINS INFORMATION THAT IS PROPRIETARY TO MOLEX INCORPORATED AND SHOULD NOT BE USED WITHOUT WRITTEN PERMISSION					

10	9	8	7	6	5	4	3	2	1
MATERIAL NO.	ENGINEERING NO.								
836199003	83619-9003								



REDRAWN EC NO: WNA2011-0064 DRWN:BRUPERT 2010/08/03 CHKD: APPR: JFMURPHY 2010/12/06 REV DESCRIPTION	QUALITY SYMBOLS	GENERAL TOLERANCES (UNLESS SPECIFIED) <table border="1"> <thead> <tr> <th></th> <th>mm</th> <th>INCH</th> </tr> </thead> <tbody> <tr> <td>4 PLACES</td> <td>± ---</td> <td>± ---</td> </tr> <tr> <td>3 PLACES</td> <td>± ---</td> <td>± .005</td> </tr> <tr> <td>2 PLACES</td> <td>± 0.13</td> <td>± .01</td> </tr> <tr> <td>1 PLACE</td> <td>± 0.25</td> <td>± ---</td> </tr> </tbody> </table> ANGULAR ± 1/2°		mm	INCH	4 PLACES	± ---	± ---	3 PLACES	± ---	± .005	2 PLACES	± 0.13	± .01	1 PLACE	± 0.25	± ---	DIMENSION STYLE	SCALE	DESIGN UNITS	THIRD ANGLE PROJECTION
			mm	INCH																	
	4 PLACES		± ---	± ---																	
	3 PLACES		± ---	± .005																	
2 PLACES	± 0.13	± .01																			
1 PLACE	± 0.25	± ---																			
		IN/MM	2:1	INCH																	
		DRAWN BY: JLOMASTR DATE: 04/09/20 CHECKED BY: RDEROSS DATE: 04/09/27 APPROVED BY: JFMURPHY DATE: 2010/12/06	TITLE	DUAL CONN PLG RT ANG, COMM-D, SIZE 9																	
		MATERIAL NO. SEE CHART	MOLEX INCORPORATED DOCUMENT NO. SD-83619-008	SHEET NO. 2 OF 2																	