

THIS DRAWING IS UNPUBLISHED.

RELEASED FOR PUBLICATION

-. -. .

LOC

DIST

REVISIONS

変更

© COPYRIGHT - By -

ALL RIGHTS RESERVED.

P

LTR

DESCRIPTION

DATE

DWN

APVD

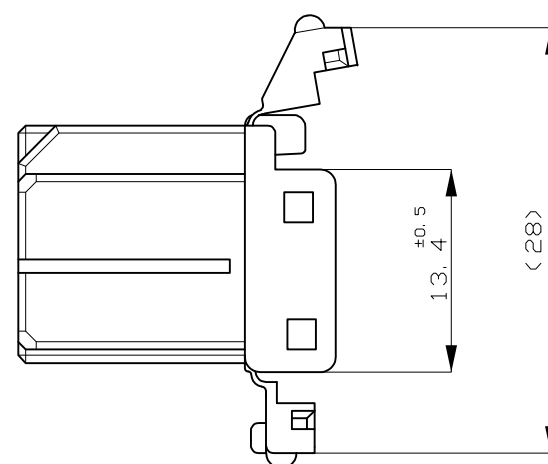
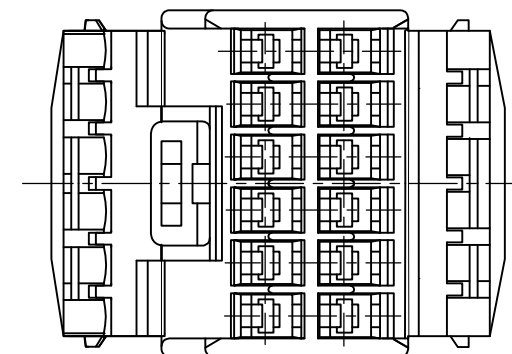
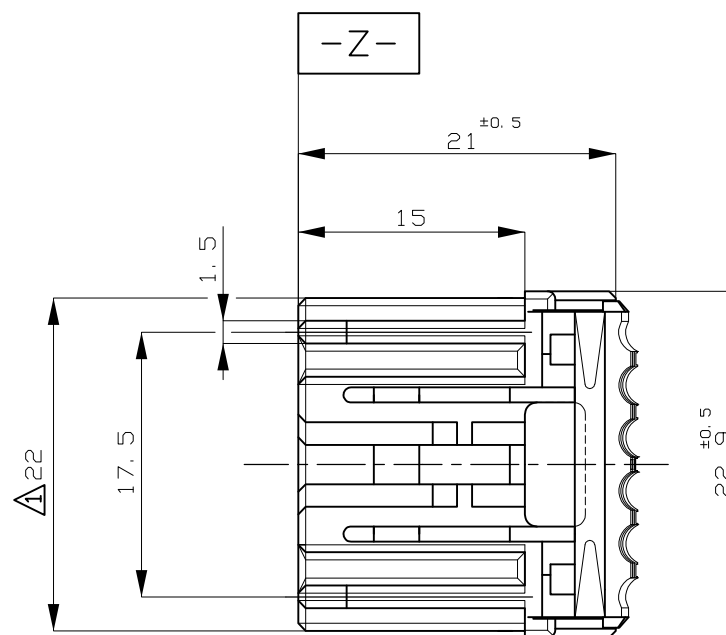
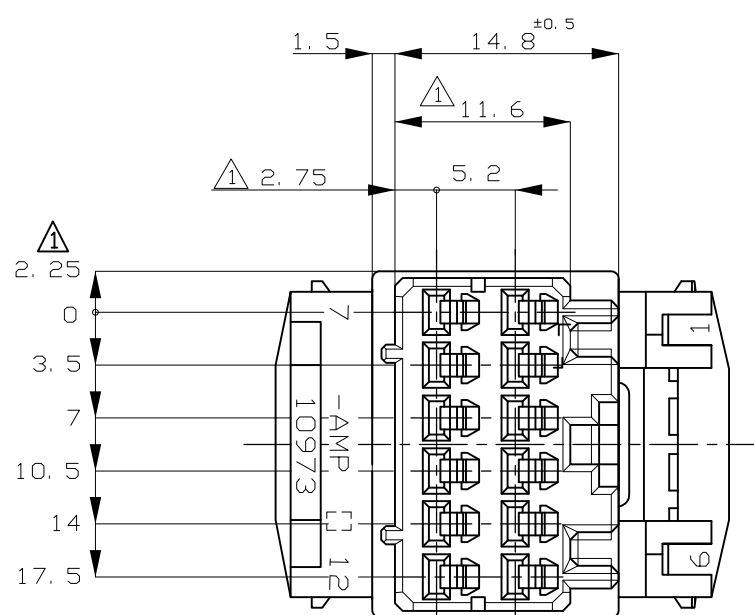
E3

REVISED PER ECO-11-005140

28MAR11

RK

HMR




NOTES;

- ① MUST BE KEPT BETWEEN [-Z-] AND 2mm
- 2 THE MATING CAP HSG. PART NUMBER; 175444, 175448
- 3 APPLIED CONTACT P/N 173630, 173631
- 4 APPLICABLE PRODUCT SPEC NO. 108-5280

注 :

- ① [-Z-]面より2mmの範囲で測定
- 2. 嵌合相手ハウジング型番 : 175444, 175448
- 3. 内装するリセプタクルコンタクト型番は173630, 173631
- 4. 適用製品規格番号 108-5280

OBSOLETE	淡灰 (LIGHT GRAY)	6-175442-6
	灰色 (GRAY)	175442-6
OBSOLETE	青 (BLUE)	175442-5
	白 (WHITE)	175442-1
	色 (COLOR)	PART NO

THIS DRAWING IS A CONTROLLED DOCUMENT.		DWN M.KADOSAKI 16JUN2005	 TE Connectivity	
DIMENSIONS: 単位: 耗 mm		CHK T.SHINOHARA 16JUN05		
TOLERANCES UNLESS OTHERWISE SPECIFIED: 一般公差		APVD K.BETSUI 16JUN05	NAME 名称 12Pos. PLUG HOUSING .040/.070 HYBRID I/O CONN. (POWER) 12極 プラグハウジング .040/.070 ハイブリッド I/O コネクタ (パワー用)	
0 < * ≤ 10 : ±0.2 10 < * ≤ 30 : ±0.25 30 < * ≤ 100 : ±0.3 ANGLES : ±3°		PRODUCT SPEC 製品規格	DRAWING NO 番号 A300779 C-175442	
MATERIAL 材料 PBT		FINISH 仕上	APPLICATION SPEC 取付適用規格	RESTRICTED TO —
		WEIGHT	SCALE 尺度 2:1	SHEET 1 OF 1
		CUSTOMER DRAWING	REV E3	