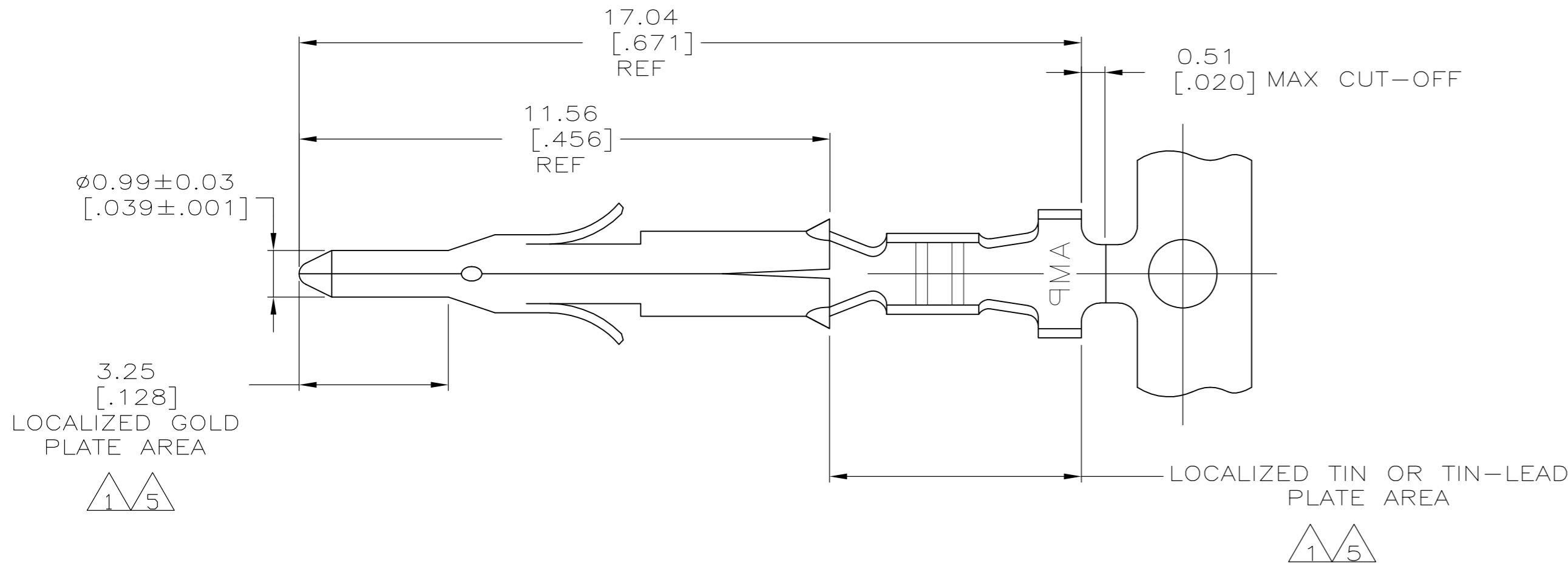
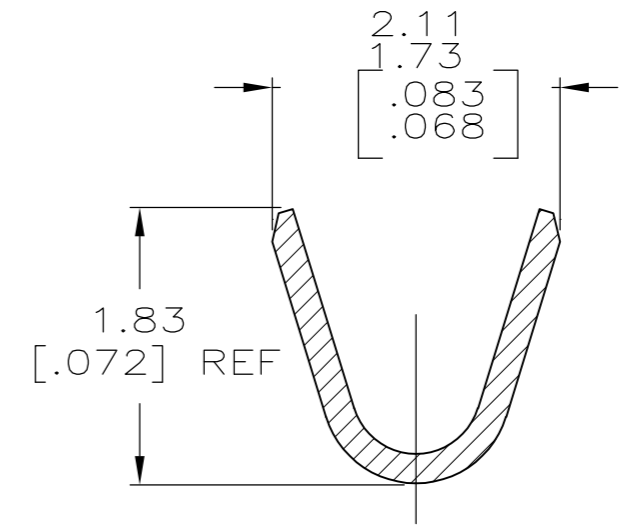
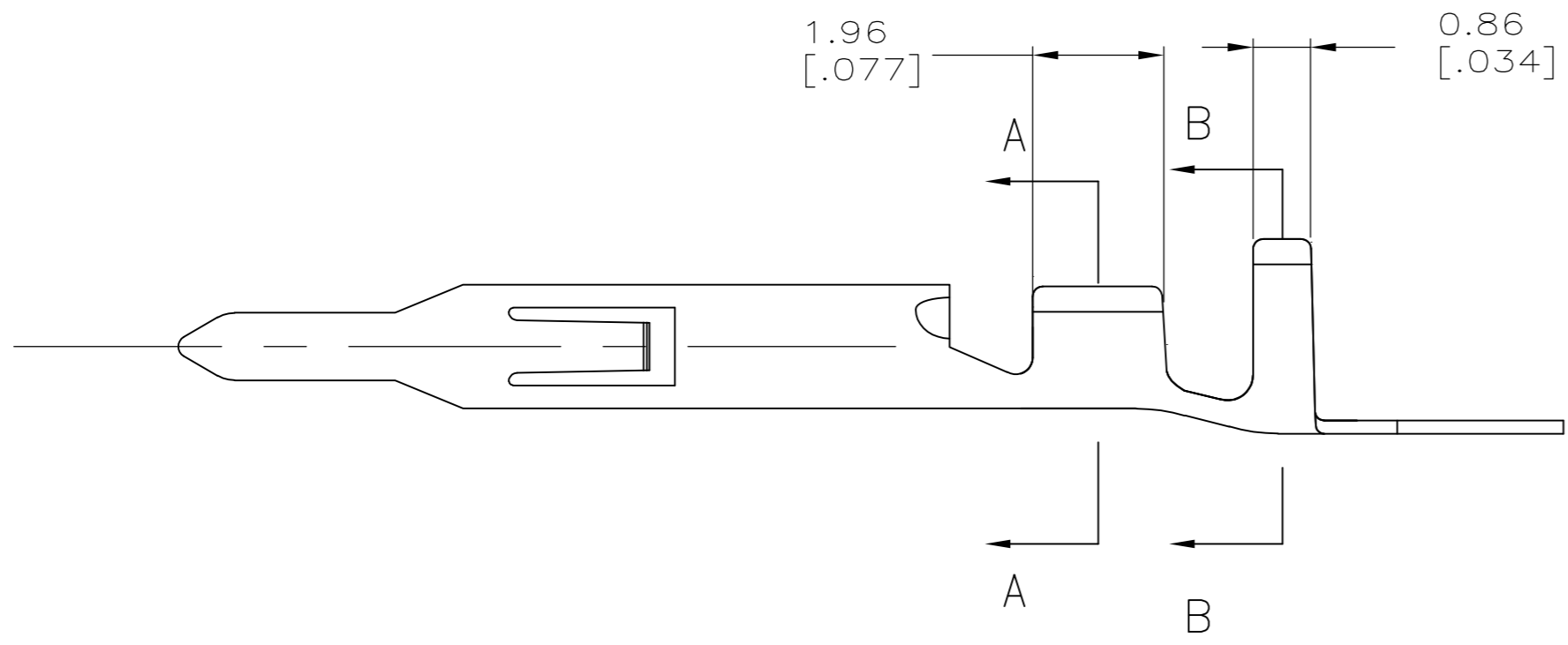


THIS DRAWING IS UNPUBLISHED. RELEASED FOR PUBLICATION
 © COPYRIGHT - By - ALL RIGHTS RESERVED.

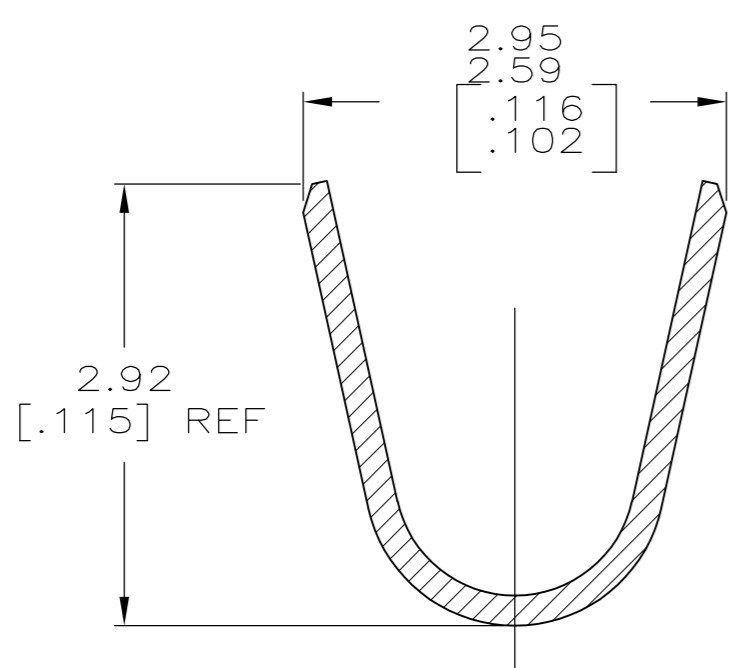
LOC		DIST		REVISIONS			
P	LTR	DESCRIPTION		DATE	DWN	APVD	
CM	00	M1	REVISED PER ECO-11-004820	11MAR11	RK	HMR	



- 1 0.00076 [.000030] MIN GOLD IN LOCALIZED GOLD PLATE AREA AND 0.00254 [.000100] MIN BRIGHT TIN-LEAD IN LOCALIZED TIN-LEAD PLATE AREA OVER 0.00130 [.000050] MIN NICKEL.
- 2 WIRE RANGE: 0.12 - 0.4mm² (26-22 AWG).
- 3 INSULATION RANGE: 1.20-1.75 [.047-.069] DIA.
- 4 DIMENSIONS IN BRACKETS ARE IN INCHES.
- 5 0.00076 [.000030] MIN GOLD IN LOCALIZED GOLD PLATE AREA AND 0.00254 [.000100] MIN BRIGHT TIN IN LOCALIZED TIN PLATE AREA OVER 0.00130 [.000050] MIN NICKEL.



SECTION A-A
 SCALE 20:1



SECTION B-B
 SCALE 20:1

5	0.20 [.008] BRASS	1-770901-0
1	0.20 [.008] BRASS	770901-3
PRE-TIN	0.20 [.008] BRASS	770901-1
FINISH	MATERIAL	PART NUMBER

THIS DRAWING IS A CONTROLLED DOCUMENT.		DWN S.HOOVER 05MAR03	STE TE Connectivity	
DIMENSIONS: mm [INCHES]		CHK C.JONES 05MAR03		
TOLERANCES UNLESS OTHERWISE SPECIFIED:		APVD C.JONES 05MAR03	NAME	
0 PLC ± -		PRODUCT SPEC	PIN	
1 PLC ± -		APPLICATION SPEC	MINI UNIVERSAL MATE-N-LOK(TM)	
2 PLC ± 0.13[.005]		WEIGHT -	SIZE A2	CAGE CODE 00779
3 PLC ± -		CUSTOMER DRAWING	DRAWING NO C=770901	RESTRICTED TO -
4 PLC ± -		SCALE 10:1	SHEET 1 OF 1	REV M1
ANGLES ± -				
FINISH -				