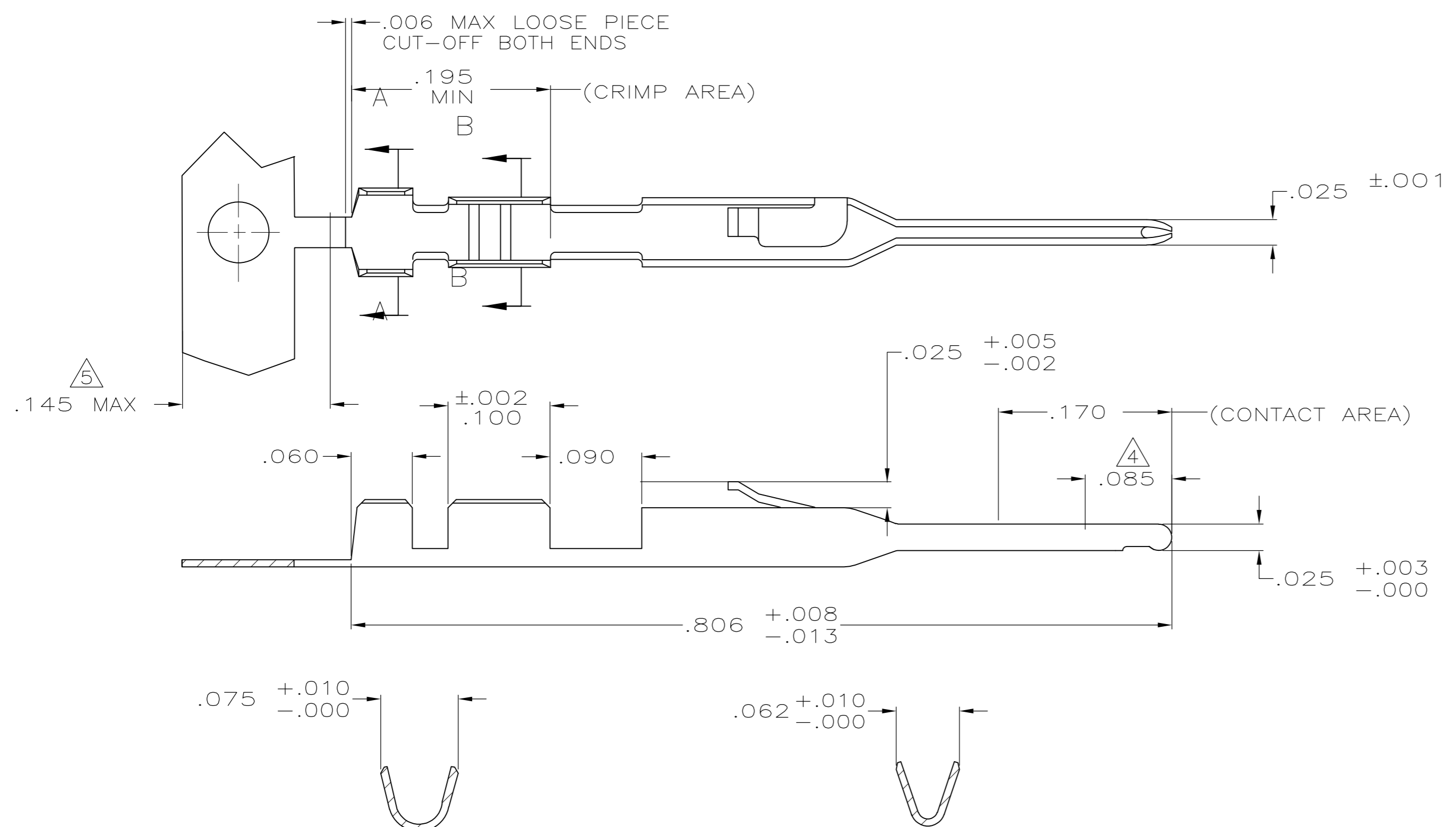


THIS DRAWING IS UNPUBLISHED. RELEASED FOR PUBLICATION
 © COPYRIGHT - By - ALL RIGHTS RESERVED.

| LOC | | DIST | | REVISIONS | | | |
|-----|-----|-------------|---------------------------|-----------|------|-----|--|
| P | LTR | DESCRIPTION | DATE | DWN | APVD | | |
| | | F1 | REVISED PER ECO-11-004587 | 11MAR11 | RK | HMR | |



SECTION A-A
 ROTATED 90° CW
 INSULATION RANGE .054 MAX

SECTION B-B
 ROTATED 90° CW
 WIRE RANGE #22-#26

- 1 .000100-.000200 BRIGHT TIN-LEAD OVER .000030 NICKEL ENTIRE CONTACT
- 2 .000015 GOLD IN CONTACT AREA, .000050-.000100 BRIGHT TIN-LEAD IN CRIMP AREA, ALL OVER .000030 NICKEL ENTIRE CONTACT
- 3 .000030 GOLD IN CONTACT AREA, .000050-.000100 BRIGHT TIN-LEAD IN CRIMP AREA, ALL OVER .000030 NICKEL ENTIRE CONTACT
- 4 POINT OF MEASUREMENT FOR PLATING THICKNESS
- 5 GOLD PLATING NOT REQUIRED IN THIS AREA
- 6 .000100-.000200 BRIGHT TIN OVER .000030 NICKEL ENTIRE CONTACT.
- 7 .000015 GOLD IN CONTACT AREA, .000050-.000100 BRIGHT TIN IN CRIMP AREA, ALL OVER .000030 NICKEL ENTIRE CONTACT.
- 8 .000030 GOLD IN CONTACT AREA, .000050-.000100 BRIGHT TIN IN CRIMP AREA, ALL OVER .000030 NICKEL ENTIRE CONTACT.
- 9 .000100-.000200 MATTE TIN OVER .000030 NICKEL ENTIRE CONTACT.
- 10 .000015 GOLD IN CONTACT AREA, .000050-.000100 MATTE TIN IN CRIMP AREA, ALL OVER .000030 NICKEL ENTIRE CONTACT.
- 11 .000030 GOLD IN CONTACT AREA, .000050-.000100 MATTE TIN IN CRIMP AREA, ALL OVER .000030 NICKEL ENTIRE CONTACT.

| | | |
|--------|-------------------------|-------------|
| 11 | 5-104505-7 | 5-104505-6 |
| 10 | 5-104505-5 | 5-104505-4 |
| 9 | 5-104505-3 | 5-104505-2 |
| 8 | 1-104505-3 | 1-104505-2 |
| 7 | 1-104505-1 | 1-104505-0 |
| 6 | 104505-9 | 104505-8 |
| 3 | 104505-7 | 104505-6 |
| 2 | 104505-5 | 104505-4 |
| 1 | 104505-3 | 104505-2 |
| FINISH | LOOSE PIECE PART NUMBER | PART NUMBER |

THIS DRAWING IS A CONTROLLED DOCUMENT.

| | | |
|------------------|-----------|----------|
| DWN | D KEITZER | 12-14-88 |
| CHK | S. SHUEY | 12-15-88 |
| APVD | C.SINISI | 12-16-88 |
| PRODUCT SPEC | - | |
| APPLICATION SPEC | - | |
| WEIGHT | - | - |
| CUSTOMER DRAWING | - | |

TE TE Connectivity

PIN CONTACT, AMPMODU, MTE

| | | | | | | | |
|-------|------|-----------|--------|------------|----------|---------------|---|
| SIZE | A2 | CAGE CODE | 00779 | DRAWING NO | C-104505 | RESTRICTED TO | - |
| SCALE | 10:1 | SHEET | 1 of 1 | REV | F1 | | |