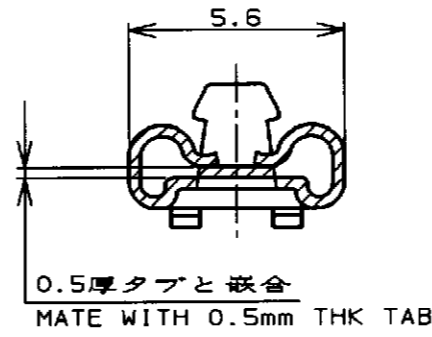
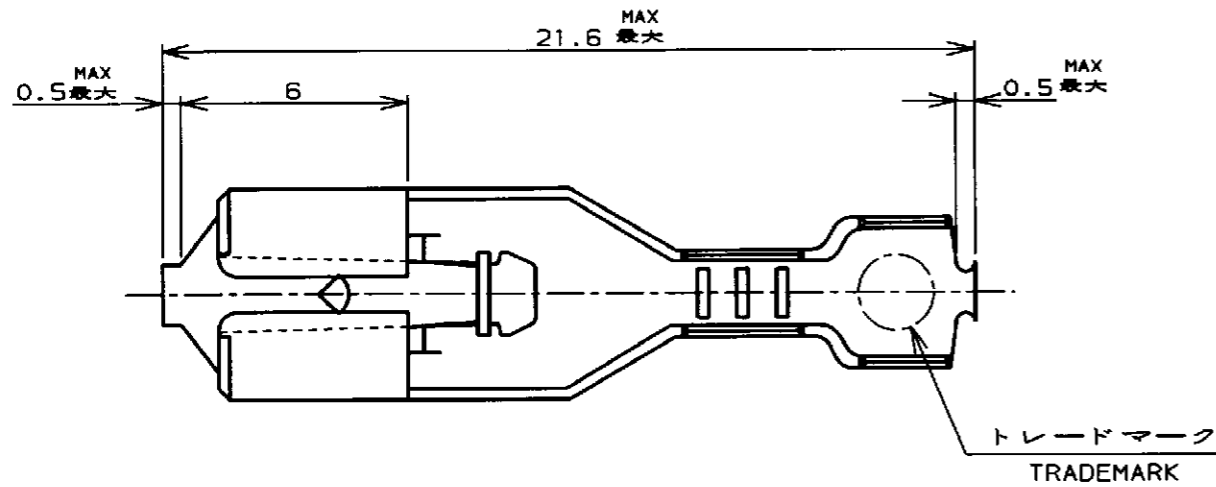


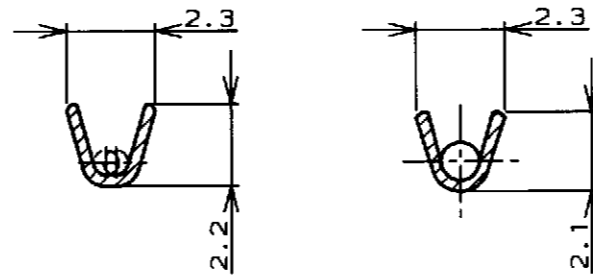
LOC J DIST

REVISIONS

P	LTR	DESCRIPTION	DATE	DWN	APVD
H2		REVISED PER ECO-11-005030	22MAR11	RK	HMR

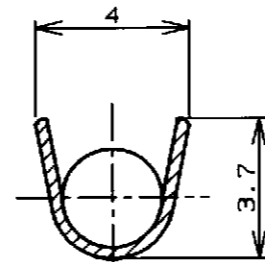
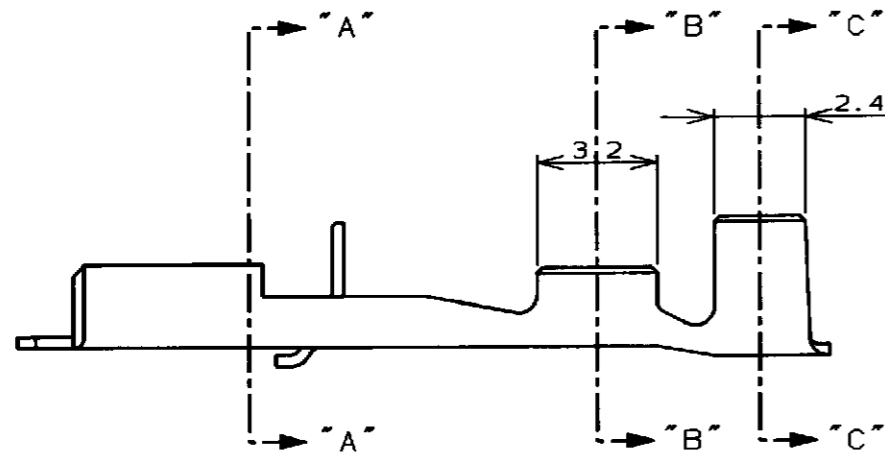


断面 "A"- "A" SECTION "A"- "A"



TYPE "B" TYPE "A"

断面 "B"- "B" SECTION "B"- "B"



断面 "C"- "C" SECTION "C"- "C"

注;
1. 適用ハウジング型番
172074, 172075, 173974

NOTES;
1. APPLICABLE HOUSING P/N
172074, 172075, 173974

2. OBSOLETE PARTS: OBSOLETE CIS STREAMLINING
PER D.RENAUD/D.SINISI

2. OBSOLETE

ばら状端子型番 LOOSE PIECE P/N	ワイヤバレルタイプ WIRE BARREL TYPE	材料 MATERIAL	型番 STRIP FORM P/N
---	A	錫めつき済りん青銅0.3t PRE-TIN PHOS BRO 0.3t THK	170324-5
170330-2	A	ニッケルめつき仕上りん青銅0.3t PHOS BRO 0.3t THK NICKEL PL	170324-2
---	B		↑ 170324-4
170330-1	A	錫めつき済黄銅0.3t PRE-TIN BRASS 0.3t THK	170324-1

WIRE RANGE 適合電線断面積 0.22~0.53mm ²	AWG#24-#20	INSULATION DIA 被覆外径 1.5~2.7φmm
---	------------	--------------------------------------

DIMENSIONS. 単位: 純 mm 		TOLERANCES UNLESS OTHERWISE SPECIFIED 一般公差 ANGLE. ±3°		DWN 4.AUG.98 CHK M. Shiro 4.AUG.98 APVD M. Shiro 4.AUG.98 PRODUCT SPEC 108-5126 APPLICATION SPEC 114-5041 WEIGHT ---		STE TE Connectivity NAME "187" SERIES POSITIVE LOCK (MARK II) REC. "187" シリーズ ポジティブ ロック (マーク II) リセブタクル	
MATERIAL 材料 SEE TABLE 表参照		FINISH 仕上 SEE TABLE 表参照		SIZE A3 CAGE CODE 00779 DRAWING NO. 170324 RESTRICTED TO ---		SCALE 5-1 SHEET 1 OF 1 REV H2	

CUSTOMER DRAWING