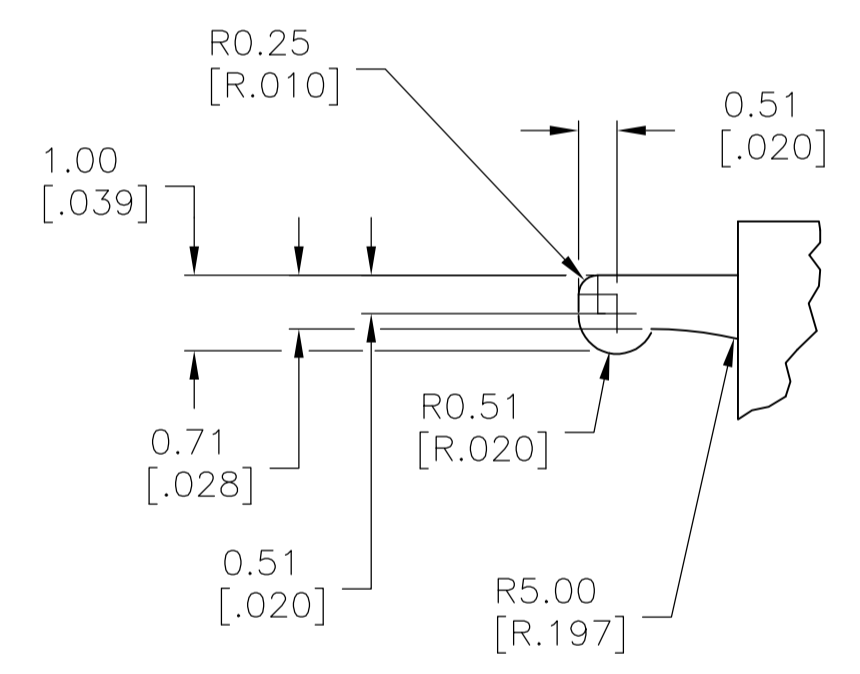
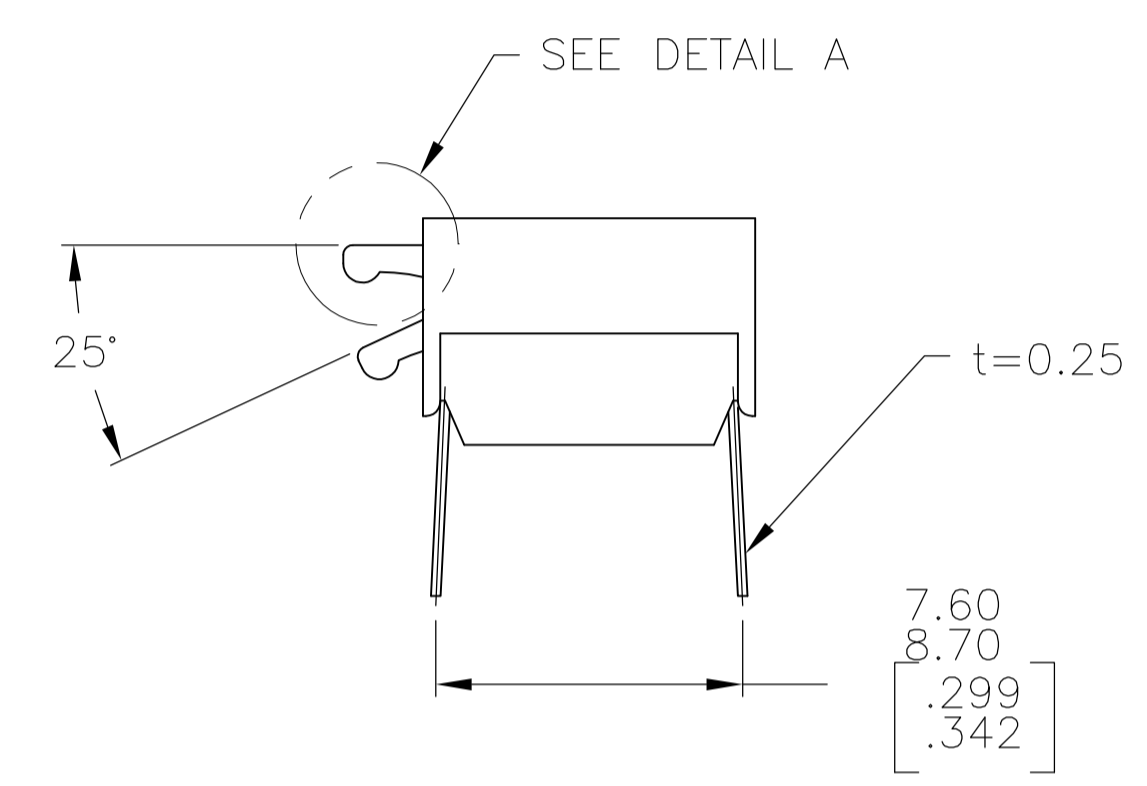
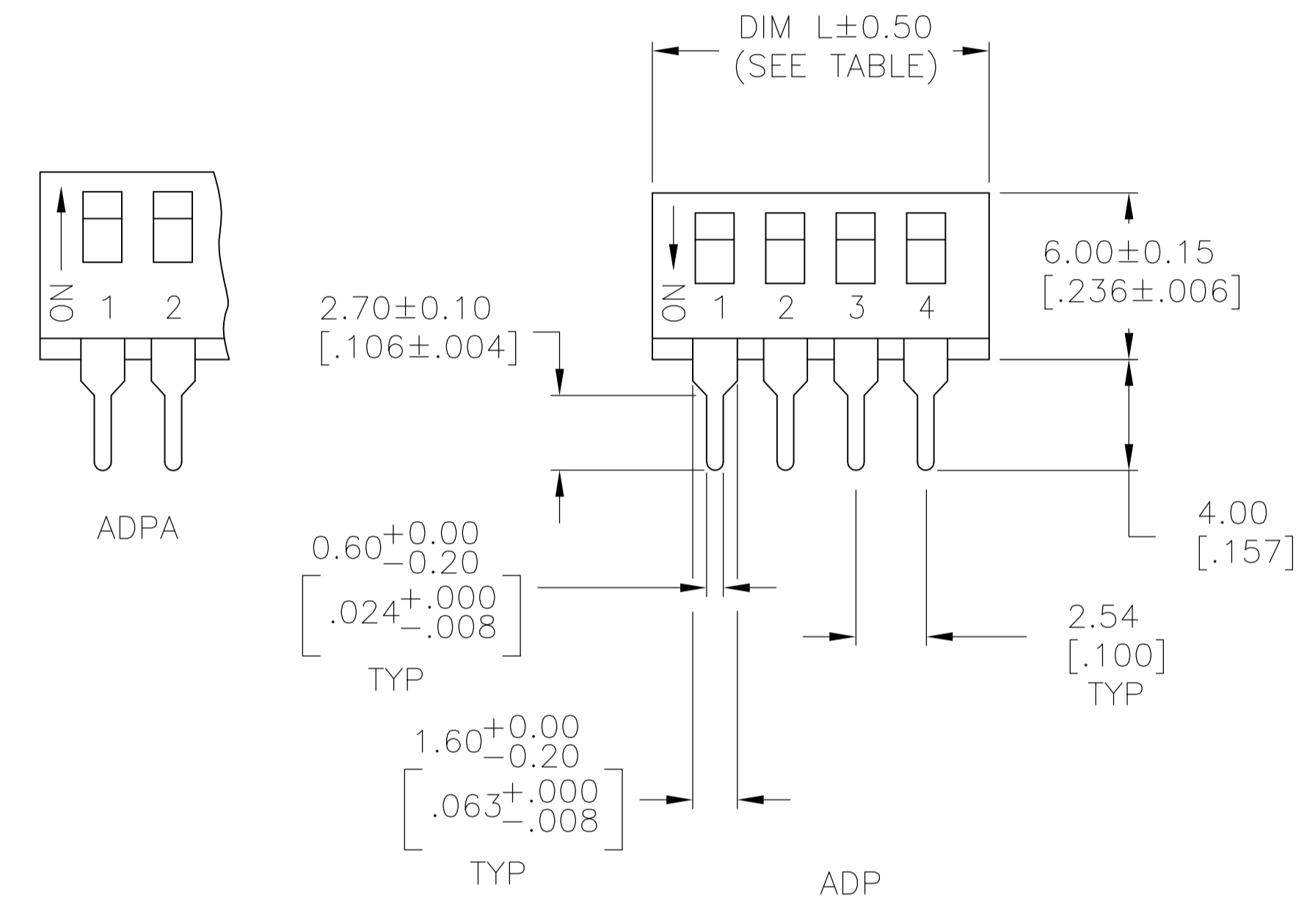


REVISED PER		ECO-08-025166	13OCT08	HMR	MS
DATE	BY	DESCRIPTION	DATE	BY	APPROV
D2	REVISOR	ECO-08-025166	13OCT08	HMR	MS
D3	REVISOR	ECO-10-000443	18JAN10	KK	HMR



RECOMMENDED HOLE LAYOUT



DETAIL A
SCALE: 10:1

SPECIFICATIONS:

MATERIAL:
 CASE: PPS 94V-0, BLACK
 COVER: PPS 94V-0, BLACK
 ACTUATOR: NYLON PA6T 94V-0, WHITE
 MOVING CONTACT: COPPER ALLOY, GOLD OVER NICKEL PLATE.
 FIXED CONTACT/TERMINAL: COPPER ALLOY, GOLD OVER NICKEL PLATE.

ELECTRICAL:
 CONTACT RATING: MAX RATING (SWITCHING) 100 MILLIAMPS @ 24V DC,
 MIN (SWITCHING) 0.10 MICROAMPS @1 MILLIVOLT,
 MAX (NON-SWITCHING) 1 AMP @ 5V DC INITIAL
 CONTACT RESISTANCE: 50 MILLIOHMS MAX.
 INSULATION RESISTANCE: 100 MEGOHMS MIN. @ 100 VDC.
 DIELECTRIC STRENGTH: 500 VAC. LIFE EXPECTANCY: 1000 CYCLES MIN.

MECHANICAL:
 ACTUATION FORCE: 800g MAX.

ENVIRONMENTAL:
 OPERATING TEMPERATURE: -22°F TO +185°F (-30°C TO +85°C).
 STORAGE TEMPERATURE: -49°F TO +212°F (-45°C TO +100°C).
 SOLDER HEAT RESISTANCE TO 265±3°C FOR 8±2 SECONDS.
 SOLDERABILITY PER JIS C 0050 & JIS C 0053

- CONTACT PRESSURE: 280,000 PSI.
 - CLEANING: AQUEOUS SOLUTION OR SOLVENT.
 - PACKAGING OPTIONS- CLEAR TUBES OR TAPE AND REEL PER EIA-481 SWITCH SUPPLIED IN THE "OFF" POSITION UNLESS "ON" IS SPECIFIED IN THE ALCO PART NUMBER (SEE PART NUMBER TABLE FOR ALL OPTIONS)
 - TOP & FRONT SURFACES TO BE CLEARLY MARKED AS SHOWN.
 - SWITCHES TO BE BLACK WITH WHITE ACTUATORS AND MARKINGS.
 - ALL MATERIAL AND FINISHES SHALL COMPLY WITH EU DIRECTIVE 2002/95/EC OF 27JAN2003 (ROHS)
- △ OBSOLETE PARTS: OBSOLETE CIS STREAMLINING PER D.RENAUD/D.SINISI

SEE SHEET 2 FOR SURFACE MOUNT OPTIONS AND DIMENSIONS.

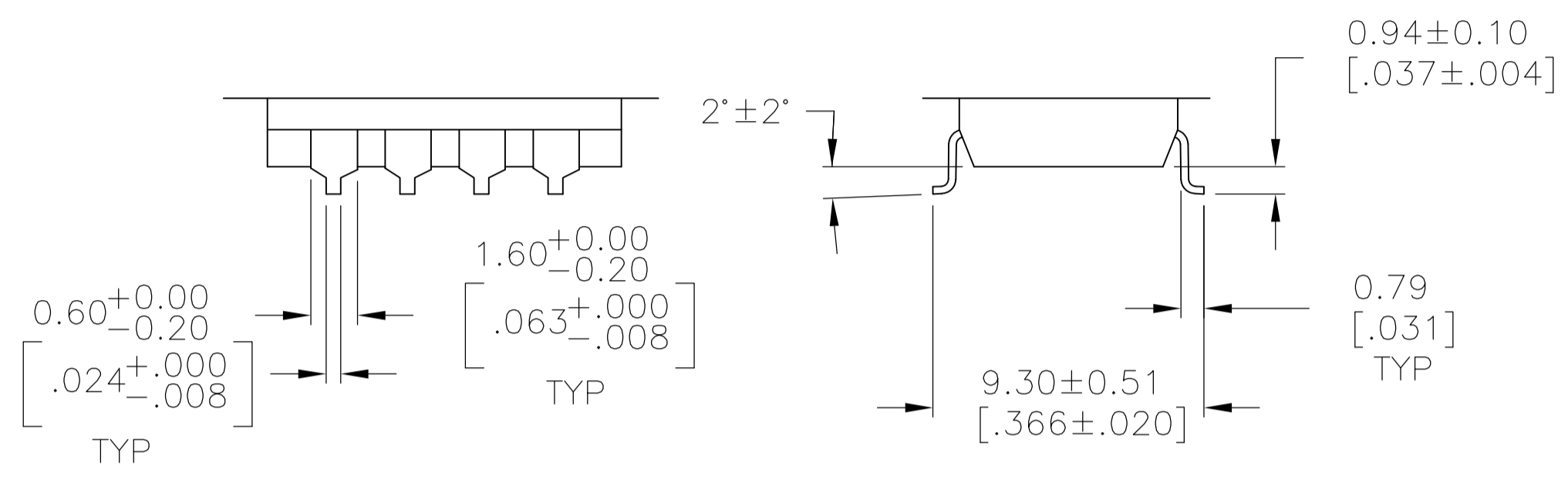
DESCRIPTION	QTY	PRICE	UNIT PRICE	DESCRIPTION	QTY	PRICE	UNIT PRICE
TUBE	10	27.38	[1.078]	ADPA10SA04	6-1571999-4		
TUBE	10	27.38	[1.078]	ADPA10S04	6-1571999-3		
TUBE	10	27.38	[1.078]	ADPA1004	6-1571999-2		
TUBE	9	24.84	[.978]	ADPA09SA04	6-1571999-1		
TUBE	9	24.84	[.978]	ADPA09S04	6-1571999-0		
TUBE	9	24.84	[.978]	ADPA0904	5-1571999-9		
TUBE	8	22.30	[.878]	ADPA08SA04	5-1571999-8		
TUBE	8	22.30	[.878]	ADPA08S04	5-1571999-7		
TUBE	8	22.30	[.878]	ADPA0804	5-1571999-6		
TUBE	7	19.76	[.778]	ADPA07SA04	5-1571999-5		
TUBE	7	19.76	[.778]	ADPA07S04	5-1571999-4		
TUBE	7	19.76	[.778]	ADPA0704	5-1571999-3		
TUBE	6	17.22	[.678]	ADPA06SA04	5-1571999-2		
TUBE	6	17.22	[.678]	ADPA06S04	5-1571999-1		
TUBE	6	17.22	[.678]	ADPA0604	5-1571999-0		
TUBE	5	14.68	[.578]	ADPA05SA04	4-1571999-9		
TUBE	5	14.68	[.578]	ADPA05S04	4-1571999-8		
TUBE	5	14.68	[.578]	ADPA0504	4-1571999-7		
TUBE	4	12.14	[.478]	ADPA04SA04	4-1571999-6		
TUBE	4	12.14	[.478]	ADPA04S04	4-1571999-5		
TUBE	4	12.14	[.478]	ADPA0404	4-1571999-4		
TUBE	2	7.06	[.278]	ADPA02SA04	4-1571999-3		
TUBE	2	7.06	[.278]	ADPA02S04	4-1571999-2		
TUBE	2	7.06	[.278]	ADPA0204	4-1571999-1		
OBSOLETE	TAPE & REEL SWITCH ON	10	27.38 [1.078]	ADP10STRON04	4-1571999-0		
△ OBSOLETE	TAPE & REEL	10	27.38 [1.078]	ADP10STR04	3-1571999-9		
△ OBSOLETE	TUBE	10	27.38 [1.078]	ADP10SA04	3-1571999-8		
△ OBSOLETE	TUBE	10	27.38 [1.078]	ADP10S04	3-1571999-7		
△ OBSOLETE	TUBE	10	27.38 [1.078]	ADP1004	3-1571999-6		
OBSOLETE	TAPE & REEL SWITCH ON	9	24.84 [.978]	ADP09STRON04	3-1571999-5		
△ OBSOLETE	TAPE & REEL	9	24.84 [.978]	ADP09STR04	3-1571999-4		
△ OBSOLETE	TUBE	9	24.84 [.978]	ADP09SA04	3-1571999-3		
△ OBSOLETE	TUBE	9	24.84 [.978]	ADP09S04	3-1571999-2		
△ OBSOLETE	TUBE	9	24.84 [.978]	ADP0904	3-1571999-1		
OBSOLETE	TAPE & REEL SWITCH ON	8	22.30 [.878]	ADP08STRON04	3-1571999-0		
△ OBSOLETE	TAPE & REEL	8	22.30 [.878]	ADP08STR04	2-1571999-9		
△ OBSOLETE	TUBE	8	22.30 [.878]	ADP08SA04	2-1571999-8		
△ OBSOLETE	TUBE	8	22.30 [.878]	ADP08S04	2-1571999-7		
△ OBSOLETE	TUBE	8	22.30 [.878]	ADP0804	2-1571999-6		
OBSOLETE	TAPE & REEL SWITCH ON	7	19.76 [.778]	ADP07STRON04	2-1571999-5		
△ OBSOLETE	TAPE & REEL	7	19.76 [.778]	ADP07STR04	2-1571999-4		
△ OBSOLETE	TUBE	7	19.76 [.778]	ADP07SA04	2-1571999-3		
△ OBSOLETE	TUBE	7	19.76 [.778]	ADP07S04	2-1571999-2		
△ OBSOLETE	TUBE	7	19.76 [.778]	ADP0704	2-1571999-1		
OBSOLETE	TAPE & REEL SWITCH ON	6	17.22 [.678]	ADP06STRON04	2-1571999-0		
△ OBSOLETE	TAPE & REEL	6	17.22 [.678]	ADP06STR04	1-1571999-9		
△ OBSOLETE	TUBE	6	17.22 [.678]	ADP06SA04	1-1571999-8		
△ OBSOLETE	TUBE	6	17.22 [.678]	ADP06S04	1-1571999-7		
△ OBSOLETE	TUBE	6	17.22 [.678]	ADP0604	1-1571999-6		
OBSOLETE	TAPE & REEL SWITCH ON	5	14.68 [.578]	ADP05STRON04	1-1571999-5		
△ OBSOLETE	TAPE & REEL	5	14.68 [.578]	ADP05STR04	1-1571999-4		
△ OBSOLETE	TUBE	5	14.68 [.578]	ADP05SA04	1-1571999-3		
△ OBSOLETE	TUBE	5	14.68 [.578]	ADP05S04	1-1571999-2		
△ OBSOLETE	TUBE	5	14.68 [.578]	ADP0504	1-1571999-1		
OBSOLETE	TAPE & REEL SWITCH ON	4	12.14 [.478]	ADP04STRON04	1-1571999-0		
△ OBSOLETE	TAPE & REEL	4	12.14 [.478]	ADP04STR04	1571999-9		
△ OBSOLETE	TUBE	4	12.14 [.478]	ADP04SA04	1571999-8		
△ OBSOLETE	TUBE	4	12.14 [.478]	ADP04S04	1571999-7		
△ OBSOLETE	TUBE	4	12.14 [.478]	ADP0404	1571999-6		
OBSOLETE	TAPE & REEL SWITCH ON	2	7.00 [.276]	ADP02STRON04	1571999-5		
△ OBSOLETE	TAPE & REEL	2	7.00±0.50 [.276±.020]	ADP02STR04	1571999-4		
△ OBSOLETE	TUBE	2	7.00±0.50 [.276±.020]	ADP02SA04	1571999-3		
△ OBSOLETE	TUBE	2	7.00±0.50 [.276±.020]	ADP02S04	1571999-2		
△ OBSOLETE	TUBE	2	7.00±0.50 [.276±.020]	ADP0204	1571999-1		
PACKAGING	Pole	Dim L	Old T&B P/N	TE P/N			

THIS DRAWING IS A CONTROLLED DOCUMENT.

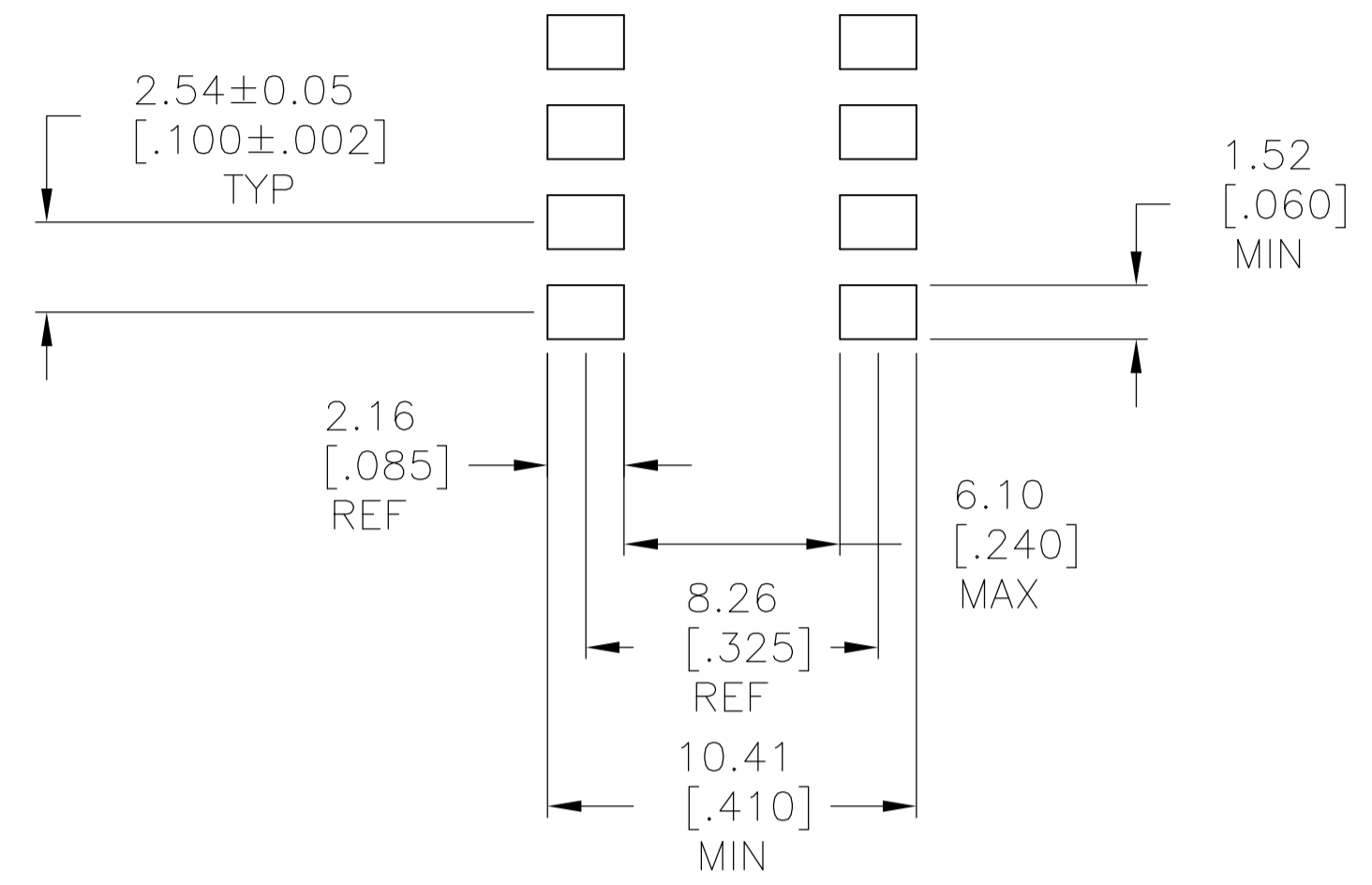
DIMENSIONS: mm [INCHES]	TOLERANCES UNLESS OTHERWISE SPECIFIED:	DIN M. BINNER 14FEB05	APVD M. SARVER 15FEB05	NAME
0 PLC ± -	1 PLC ± -	2 PLC ± -	3 PLC ± 0.12(0.31)	4 PLC ± -
ANGLES ± 1°				
MATERIAL	FINISH	SIZE	CAGE CODE	DRAWING NO
		WEIGHT	A1 00779	1571999
CUSTOMER DRAWING		SCALE	1:1	SHEET 1 OF 2

RESTRICTED TO REV D3

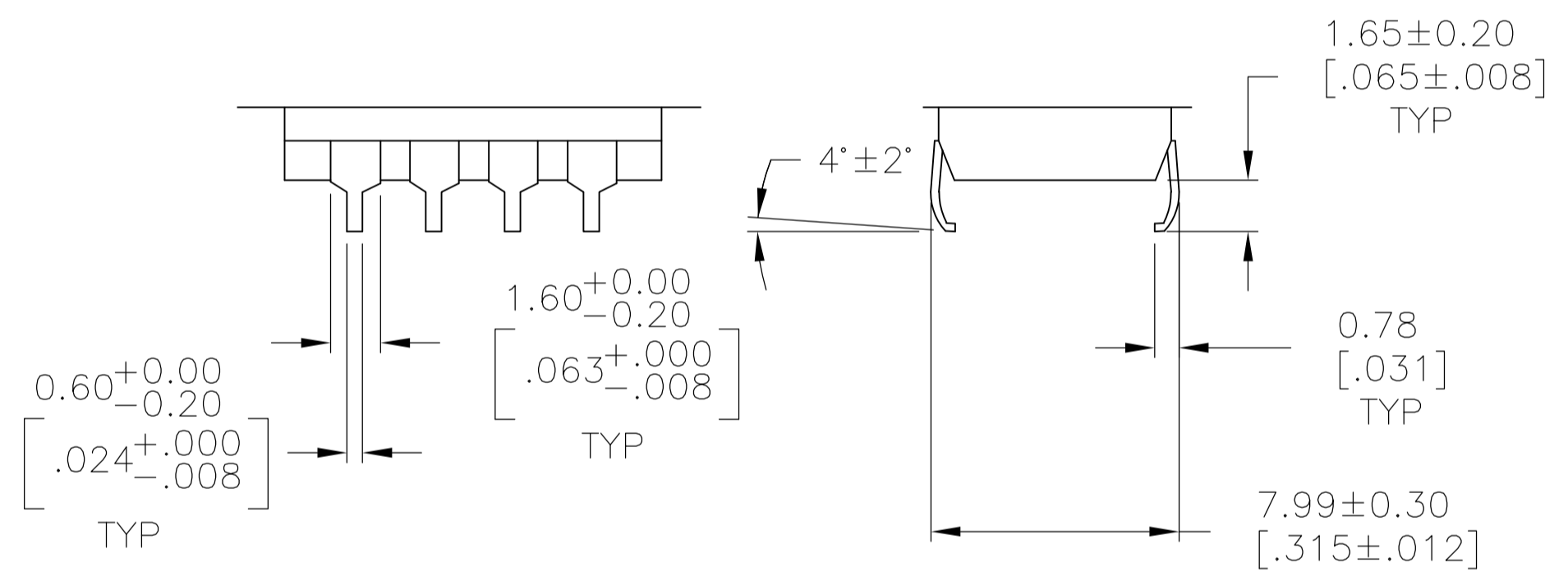
LOC		DIST		REVISIONS			
P	LTR	DESCRIPTION	DATE	DN	APVD		
-	-	SEE SHEET 1	-	-	-	-	-



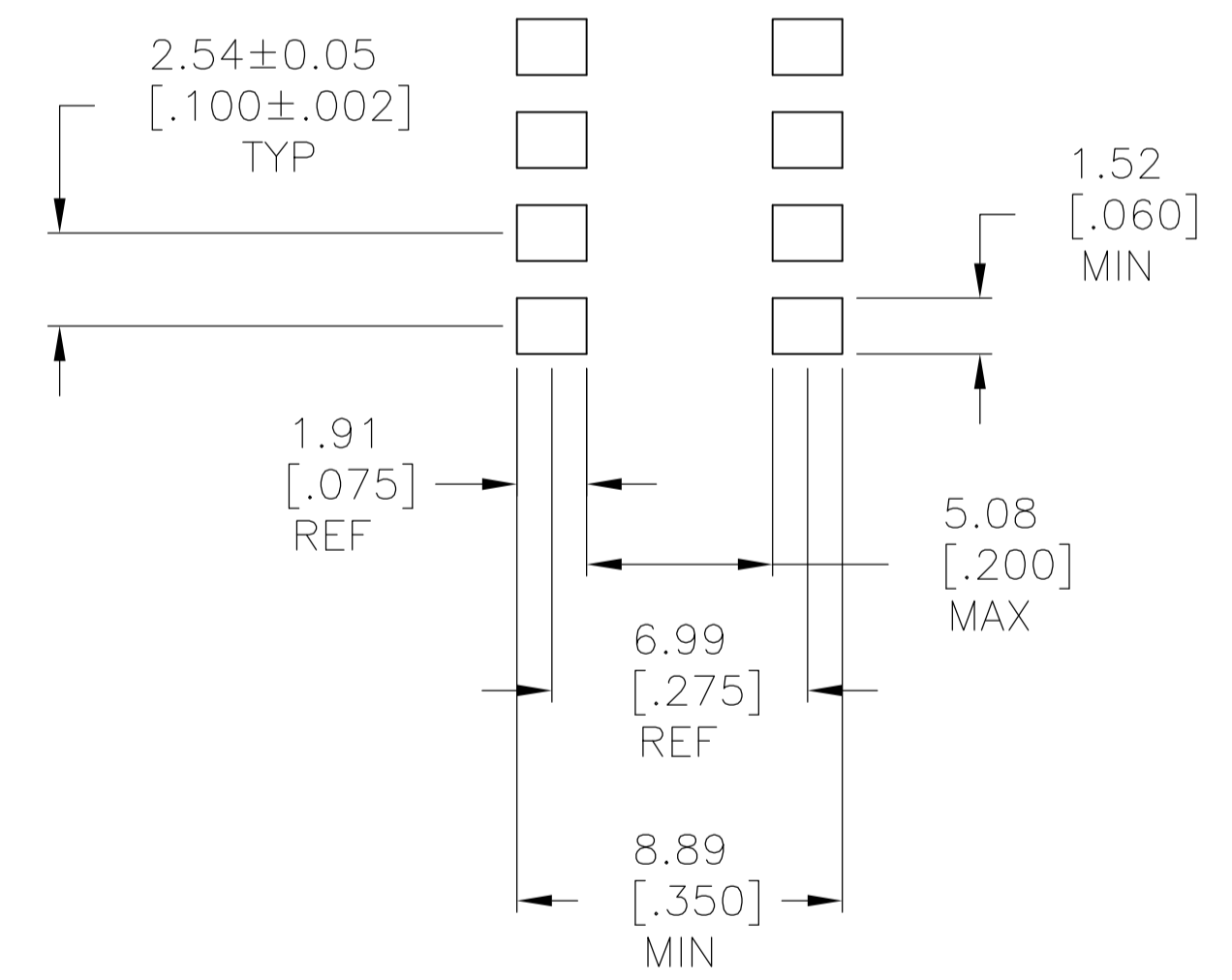
SURFACE MOUNT
"S" TERMINATION



RECOMMENDED PAD LAYOUT
SURFACE MOUNT
"S" TERMINATION



SURFACE MOUNT
"SA" TERMINATION



RECOMMENDED PAD LAYOUT
SURFACE MOUNT
"SA" TERMINATION

THIS DRAWING IS A CONTROLLED DOCUMENT.		DIN M. BINNER 14FEB05	Tyco Electronics Corporation Harrisburg, PA 17105-3608
DIMENSIONS: mm [INCHES]		CHK M. SARVER 15FEB05	
TOLERANCES UNLESS OTHERWISE SPECIFIED:		APVD M. SARVER 15FEB05	NAME DIP SWITCH ASSEMBLY ADP/PA SERIES
0. PLC ± - 1. PLC ± - 2. PLC ± - 3. PLC ± .012(0.31) 4. PLC ± ± 1° ANGLES ± ± 1°		APPLICATION SPEC	RESTRICTED TO
MATERIAL	FINISH	WEIGHT	SIZE A1 00779 C=1571999
CUSTOMER DRAWING		SCALE 1:1	SHEET 2 OF 2 REV D3