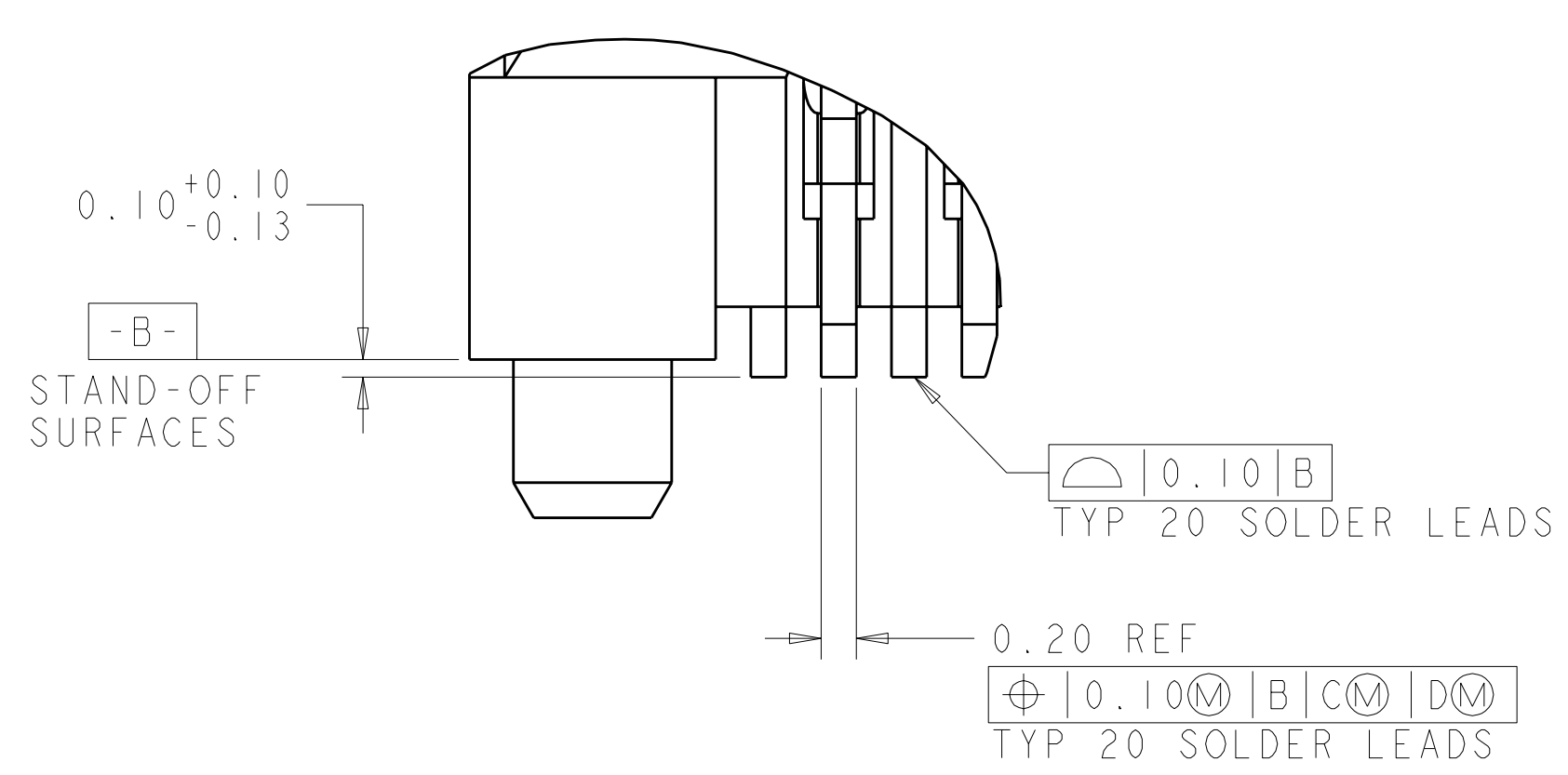
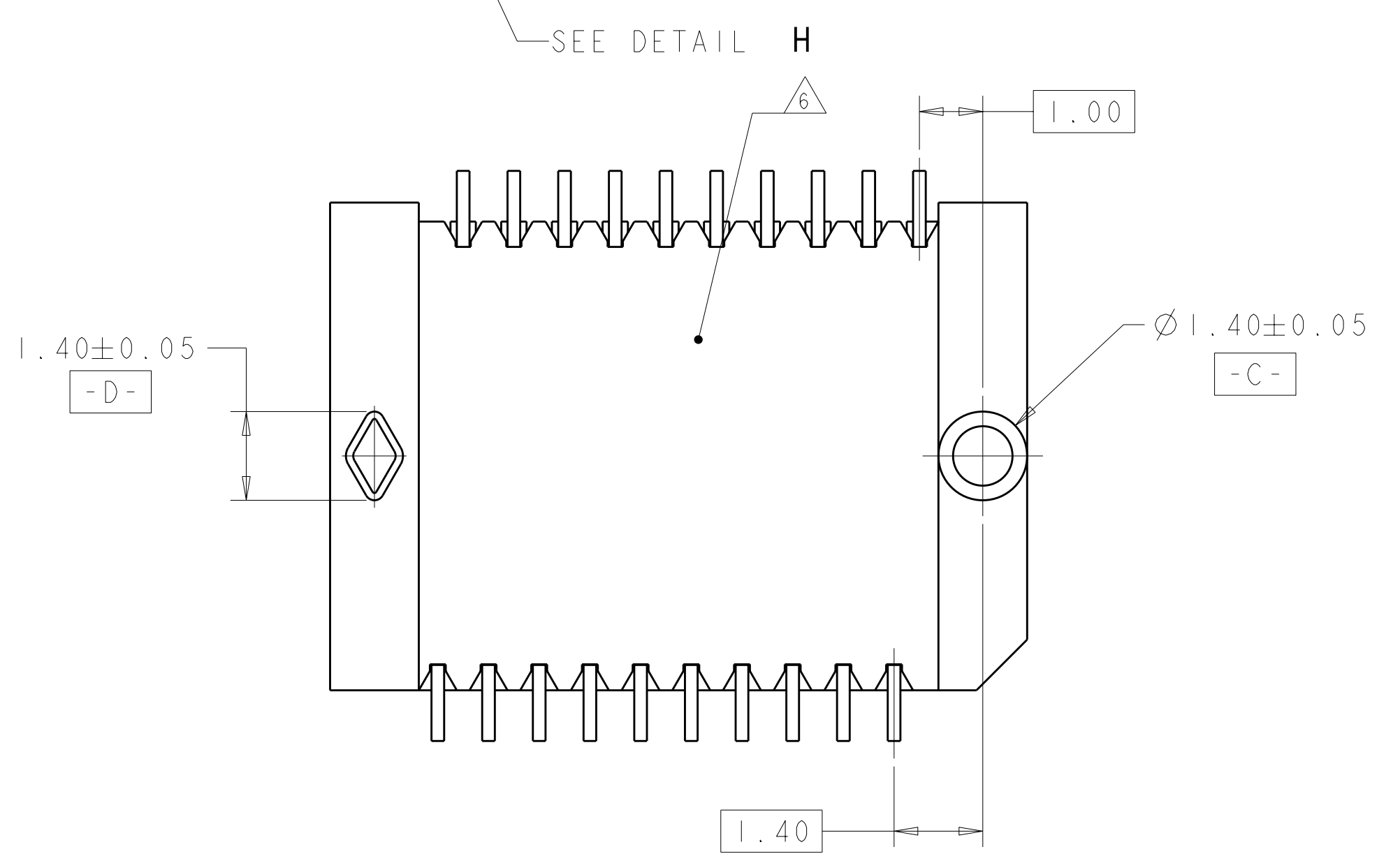
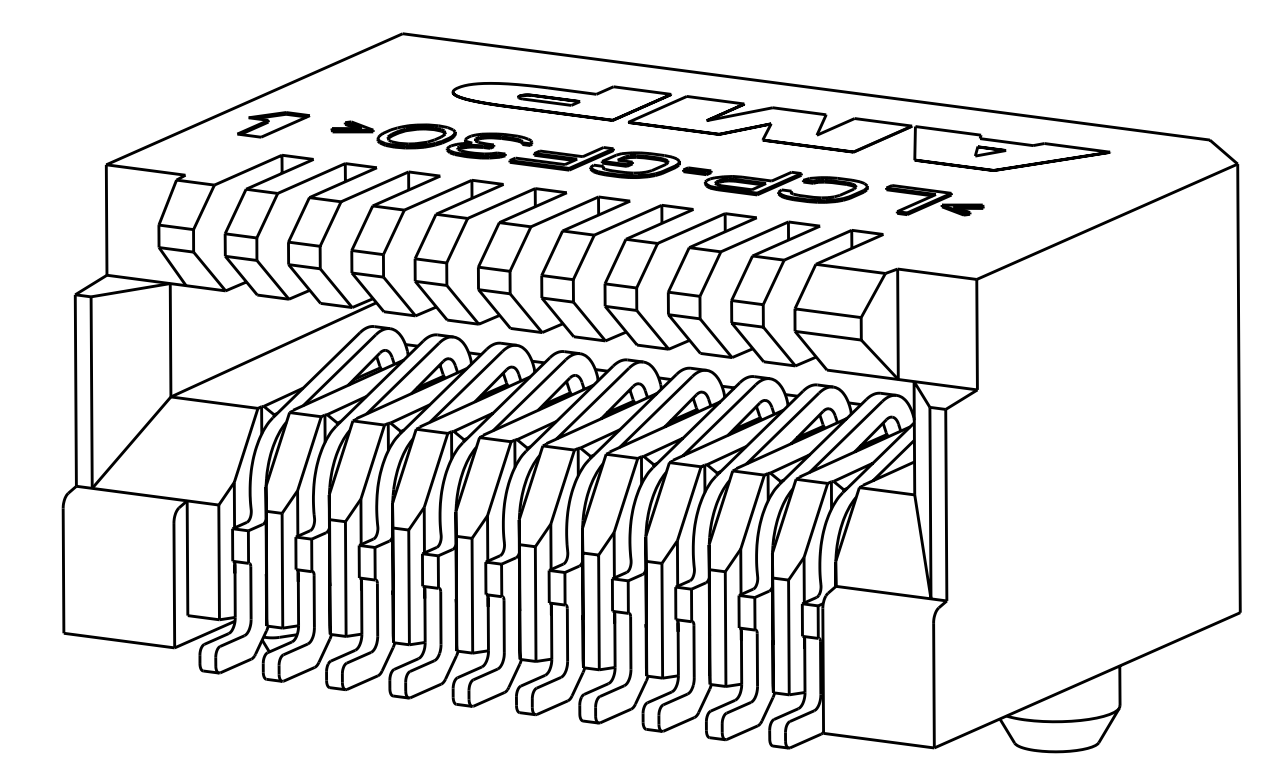
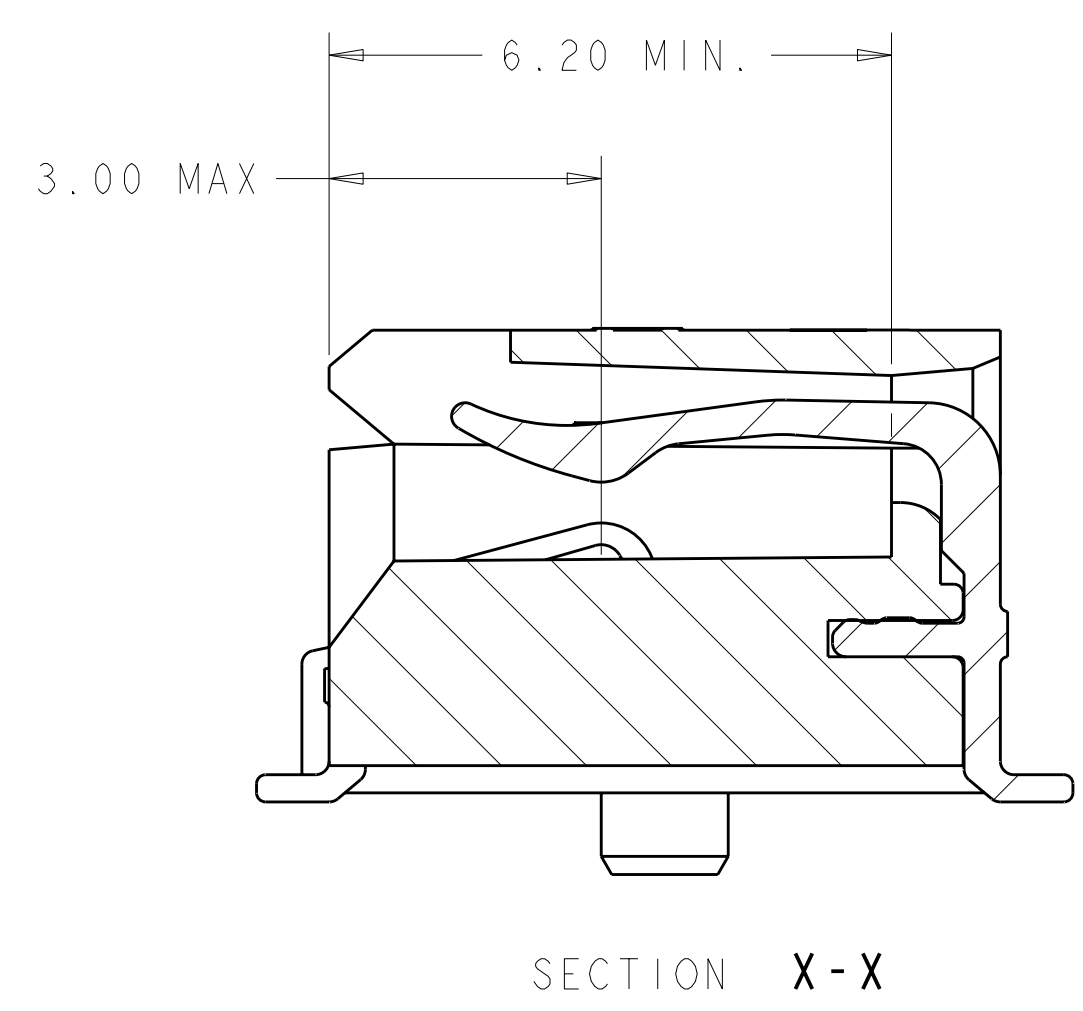
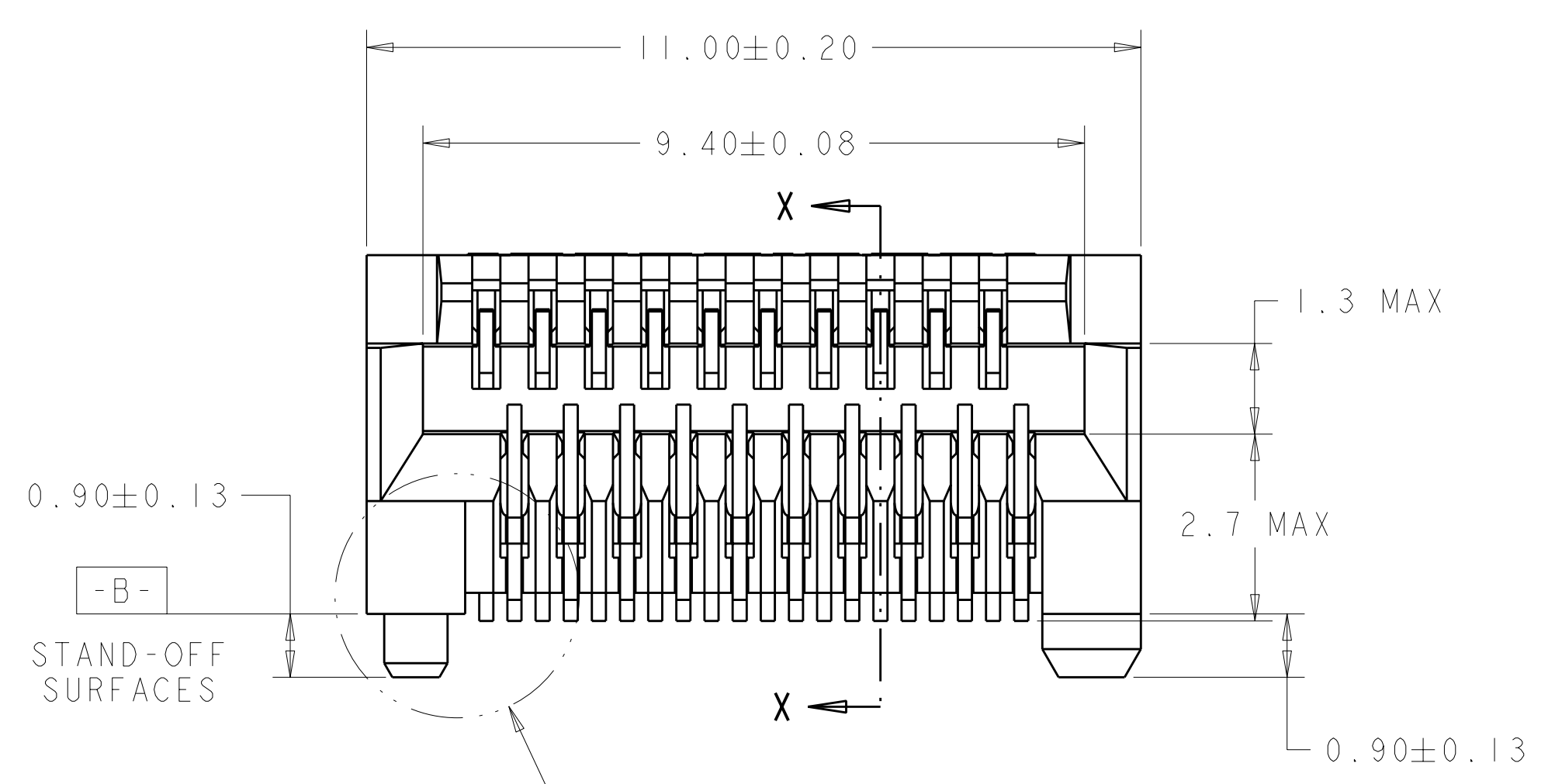
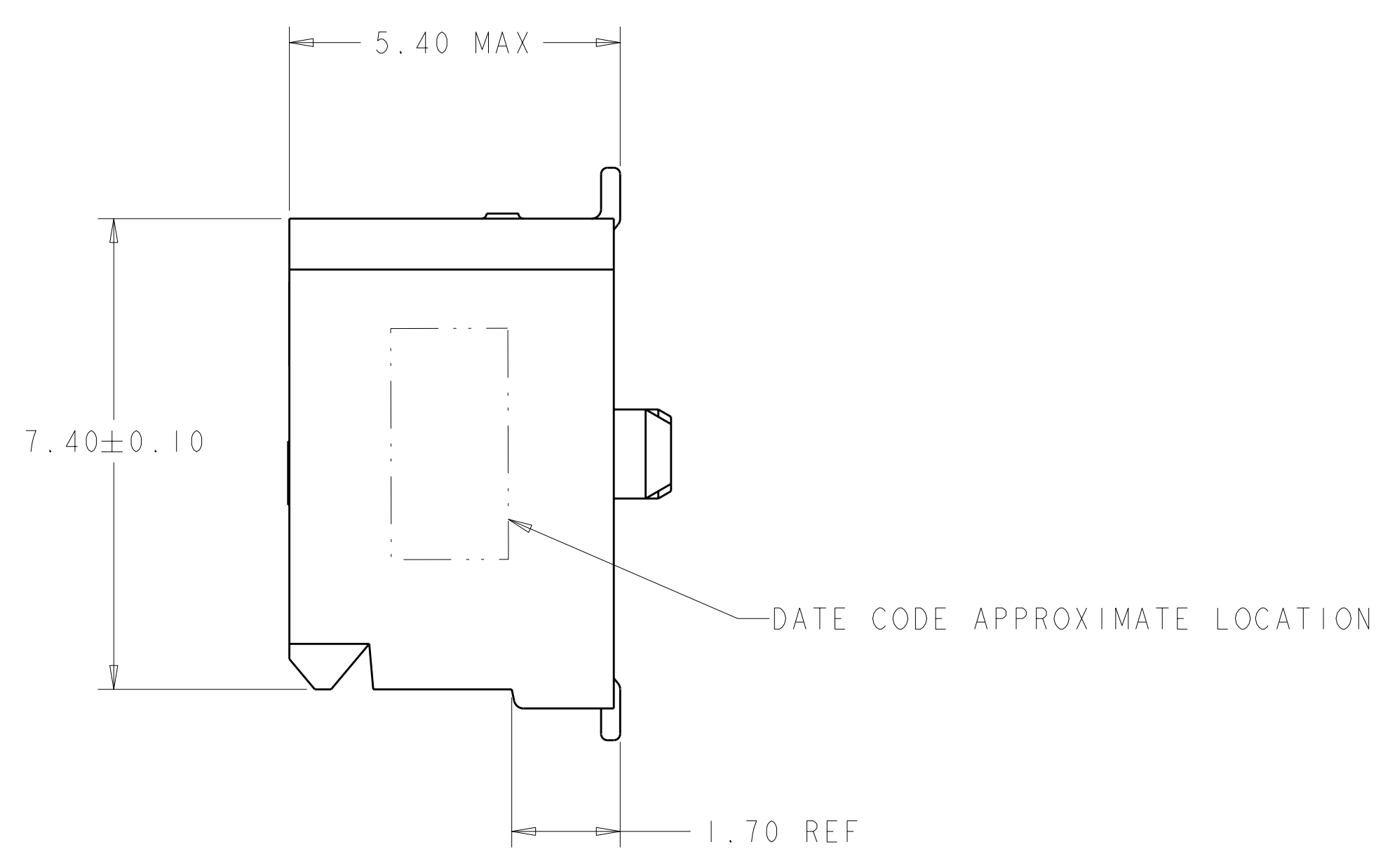
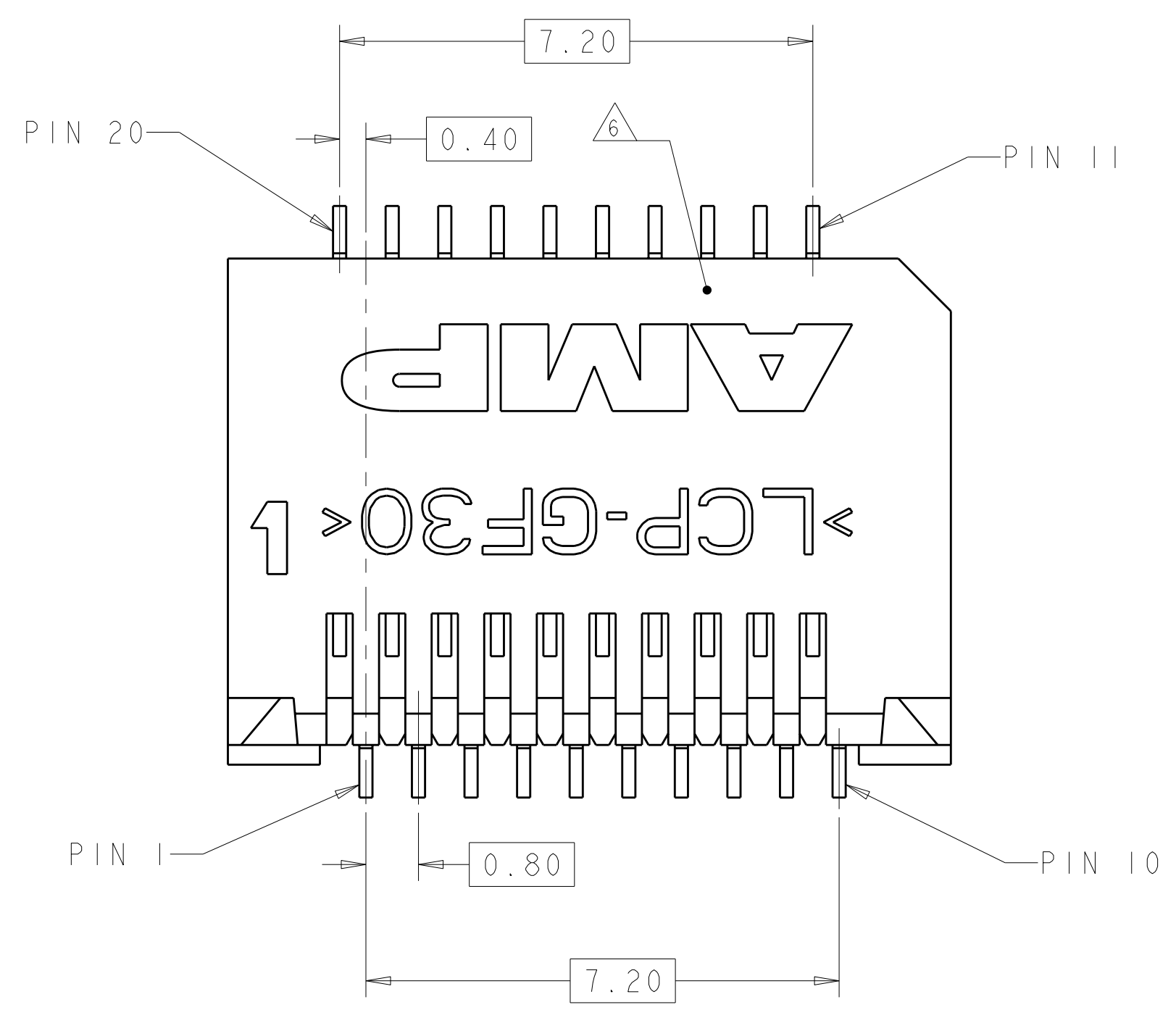


LOC	DIST	REV	DATE	BY	APPD
ES	00				
D		REVISED PER ECR-07-019122	20JUL07	ML	SY
F		REVISED PER ECR-07-025522	25OCT07	LL	SY
G		REVISED PER ECR-09-001268	20MAR09	AL	SY
H		REVISED PER ECR-09-015300	20JUL2009	AL	SY



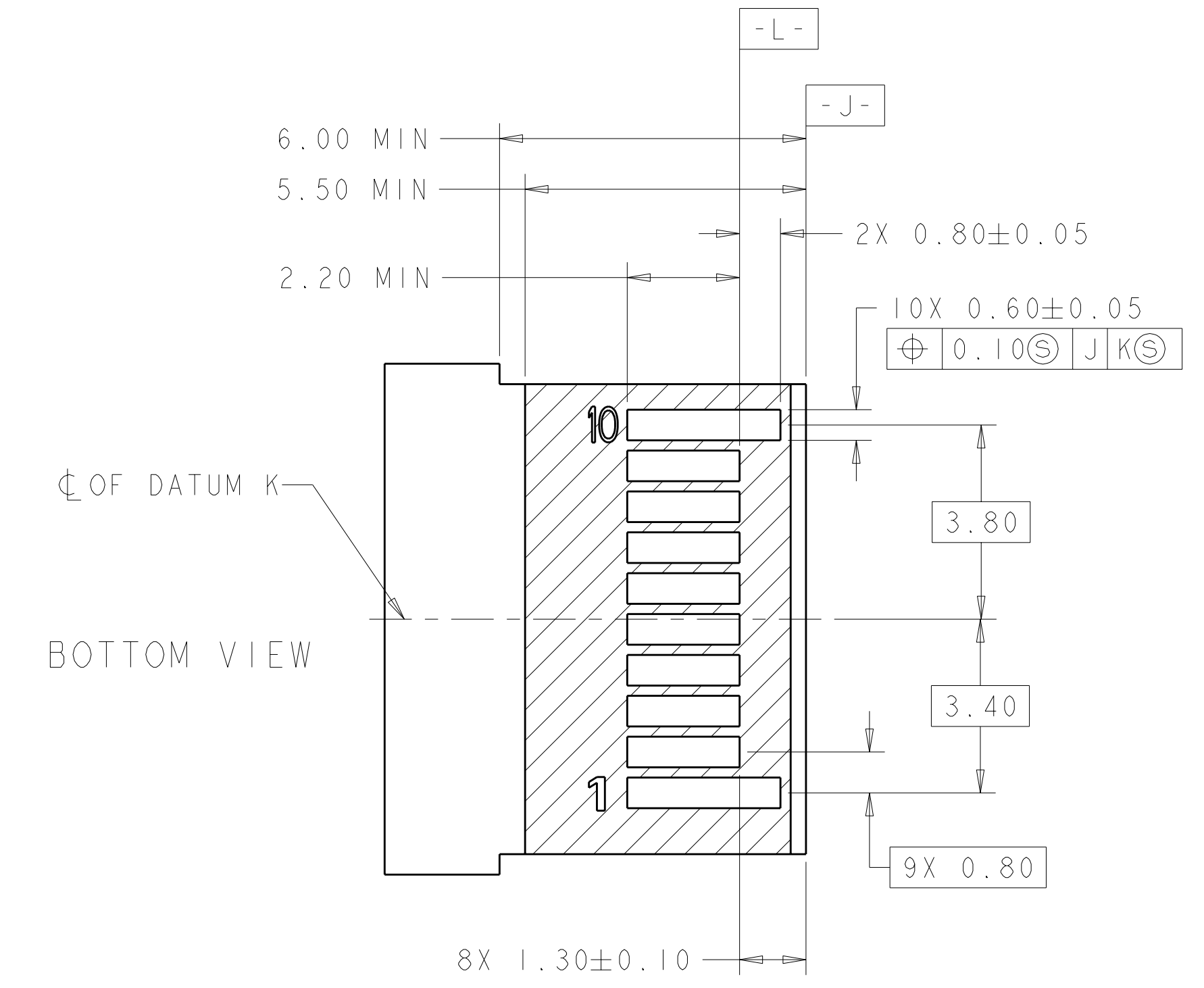
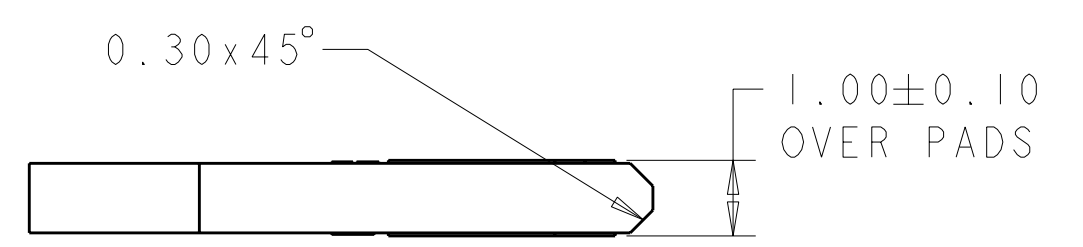
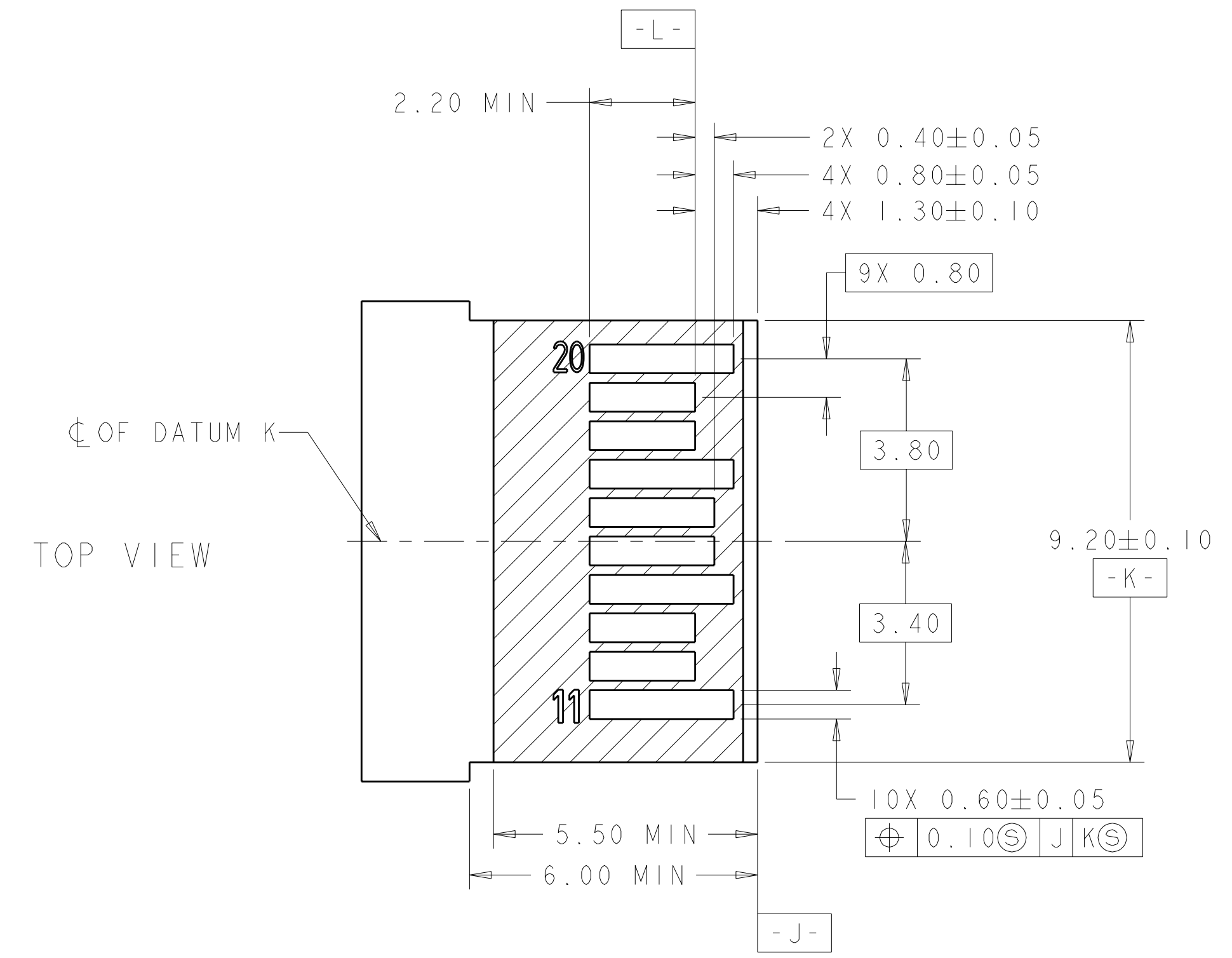
DETAIL H
 SCALE 25:1

- 1 MATERIAL:
 HOUSING: HIGH TEMPERATURE LCP, UL 94V-0 RATED, WHITE
 CONTACTS: PHOSPHOR BRONZE.
- 2 FINISH:
 CONTACTS: 0.00076 MIN GOLD ON CONTACT AREA, 0.00013 MIN GOLD ON SOLDER AREA. ALL OVER 0.0038 MIN NICKEL UNDERPLATE ON ENTIRE CONTACT. LUBRICANT ON GOLD PLATE CONTACT AREAS.
- 3. PACKAGED 480 PIECES PER REEL.
- 4 DATUMS AND BASIC DIMENSIONS TO BE ESTABLISHED BY CUSTOMER; SEE DRAWING 1367034 FOR LAYOUT WHEN USED WITH 1367034-1 BOTTOM CAGE (STANDARD SFP APPLICATION).
- 5 FINISH:
 CONTACTS: 0.00038 MIN GOLD ON CONTACT AREA, 0.00013 MIN GOLD ON SOLDER AREA. ALL OVER 0.0038 MIN NICKEL UNDERPLATE ON ENTIRE CONTACT. LUBRICANT ON GOLD PLATE CONTACT AREAS.
- 6 PULL GROOVES PERMITTED ON THESE SURFACES AT MOLDING ENGINEERING DISCRETION

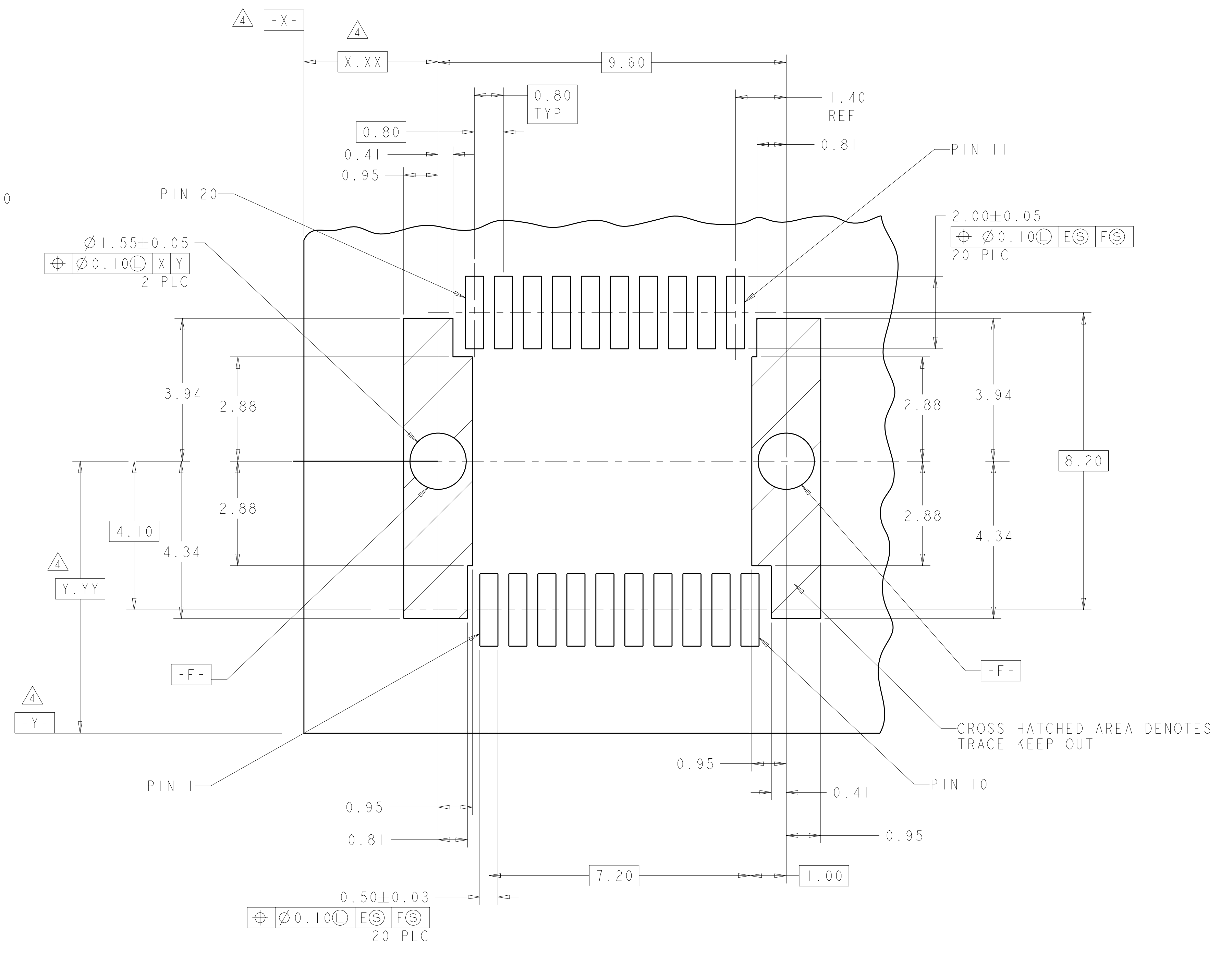
YES	5	1888247-4
YES	2	1888247-3
NO	5	1888247-2
NO	2	1888247-1
DATE CODE	FINISH	PART NUMBER

DIMENSIONS:		TOLERANCES UNLESS OTHERWISE SPECIFIED:		DWN		Tyco Electronics	
mm	9 PLC ±	mm	±	B	MCMaster	14FE06	Tyco Electronics Corporation
	1 PLC ±		±	S	S. SHUEY	14FE06	Shanghai, P.R.China, 200233
	2 PLC ±		±	APVD	S. SHUEY	14FE06	
	3 PLC ±		±	PRODUCT SPEC			NAME
	4 PLC ±		±	108-1949			PT CONNECTOR ASSEMBLY, 20 POS.
	5 PLC ±		±	APPLICATION SPEC			RIGHT ANGLE, 0.8mm PITCH, SFP SFP+
MATERIAL	FINISH	114-13017	±	SIZE	CAGE CODE	DRAWING NO	RESTRICTED TO
		WEIGHT	±	A	100779	C=1888247	
		CUSTOMER DRAWING		SCALE	8:1	SHEET	1 OF 3
				REV	J		

LOC		DIST		REVISIONS				
ES	00	P	LTR	DESCRIPTION	DATE	DWN	APVD	
				SEE SHEET 1				



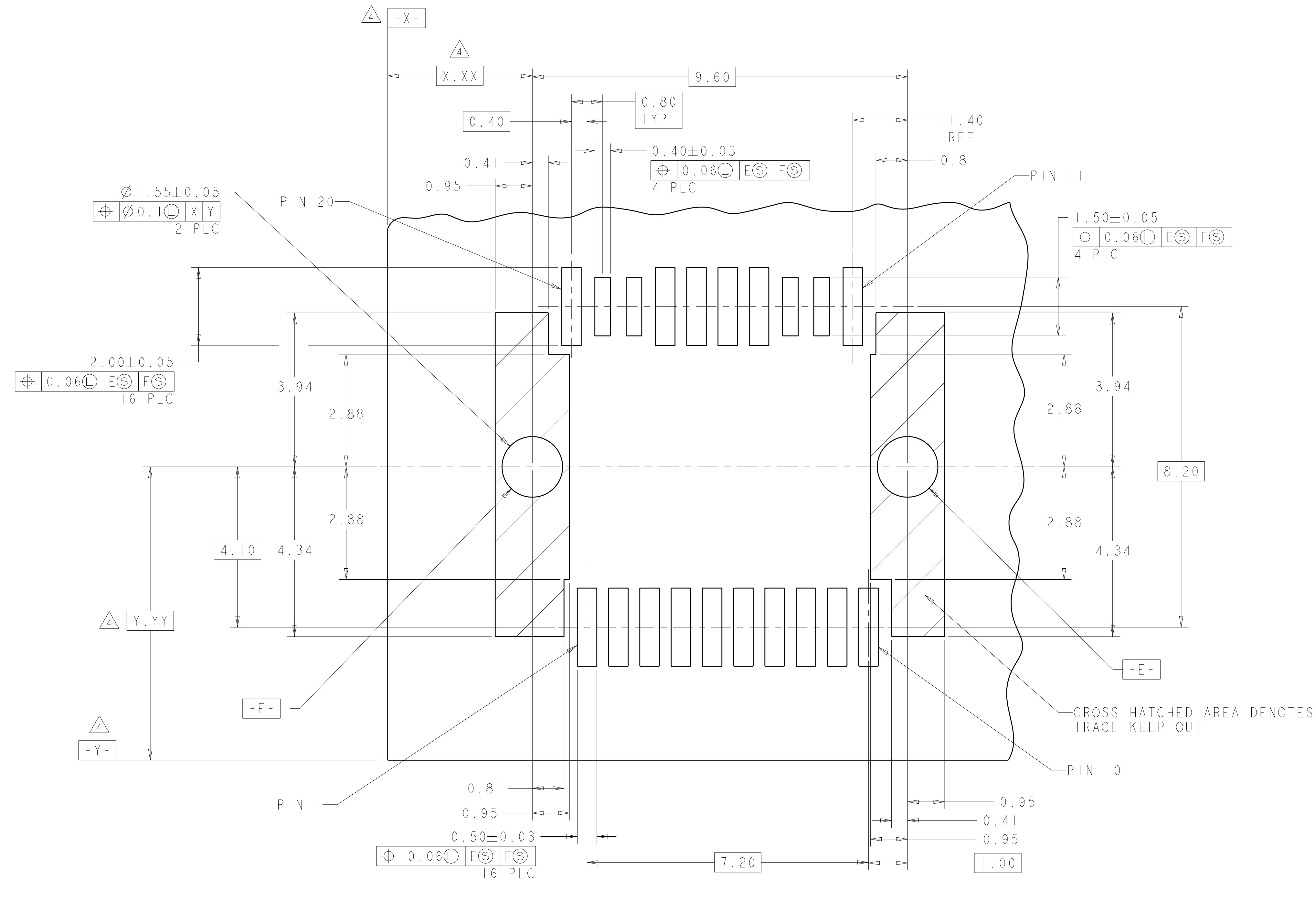
RECOMMENDED LAYOUT DETAIL
 MATING TRANSCEIVER PCB
 SCALE 10:1



RECOMMENDED PCB LAYOUT DETAIL
 CONNECTOR MOUNTING SIDE
 SCALE 14:1

DIMENSIONS: mm 		TOLERANCES UNLESS OTHERWISE SPECIFIED: 9 PLC ± 1 PLC ±0.10 5 PLC ± 4 PLC ± ANGLES ±		DWN B. MCMASTER 14FEB06 CHK S. SHUEY 14FEB06 APVD S. SHUEY 14FEB06		Tyco Electronics Corporation Shanghai, P.R.China.200233	
MATERIAL 		FINISH -		PRODUCT SPEC 108-1949		NAME PT CONNECTOR ASSEMBLY, 20 POS, RIGHT ANGLE, 0.8mm PITCH, SFP SFP+	
CUSTOMER DRAWING		WEIGHT -		APPLICATION SPEC 114-13017		SIZE CAGE CODE DRAWING NO A1100779C=1888247	
SCALE 8:1		SHEET 2 OF 3		REV J		RESTRICTED TO	

LOC	DIST	REV	DATE	DWN	APVD
ES	00				
P LTR		DESCRIPTION	DATE	DWN	APVD
		SEE SHEET 1			



OPTIONAL LAYOUT FOR IMPROVED SIGNAL INTEGRITY, MOUNTING SIDE
SCALE 16:1

<small>THIS DRAWING IS UNPUBLISHED. IT IS SUBJECT TO CHANGE WITHOUT NOTICE. THE USER SHALL BE RESPONSIBLE FOR VERIFYING THE DIMENSIONS AND TOLERANCES OF THE PARTS AND ASSEMBLIES. CONTACT THE SUPPLIER FOR THE LATEST REVISION.</small>		DWN: B. MCMASTER 14FEB06 CHK: S. SHUEY 14FEB06 APVD: S. SHUEY 14FEB06	Tyco Electronics Corporation Shanghai, P.R.China. 200233
DIMENSIONS: mm 		TOLERANCES UNLESS OTHERWISE SPECIFIED: 9 PLC ± 1 PLC ±0.10 3 PLC ± 5 PLC ± 4 PLC ± ANGLES ±	NAME: PT CONNECTOR ASSEMBLY, 20 POS, RIGHT ANGLE, 0.8mm PITCH, SFP SFP+ PRODUCT SPEC: 108-1949 APPLICATION SPEC: 114-13017 WEIGHT: - FINISH: -
MATERIAL: - FINISH: -		SIZE: A100779 CAGE CODE: C=1888247 CUSTOMER DRAWING	RESTRICTED TO: - SCALE: 8:1 SHEET 3 OF 3 REV J