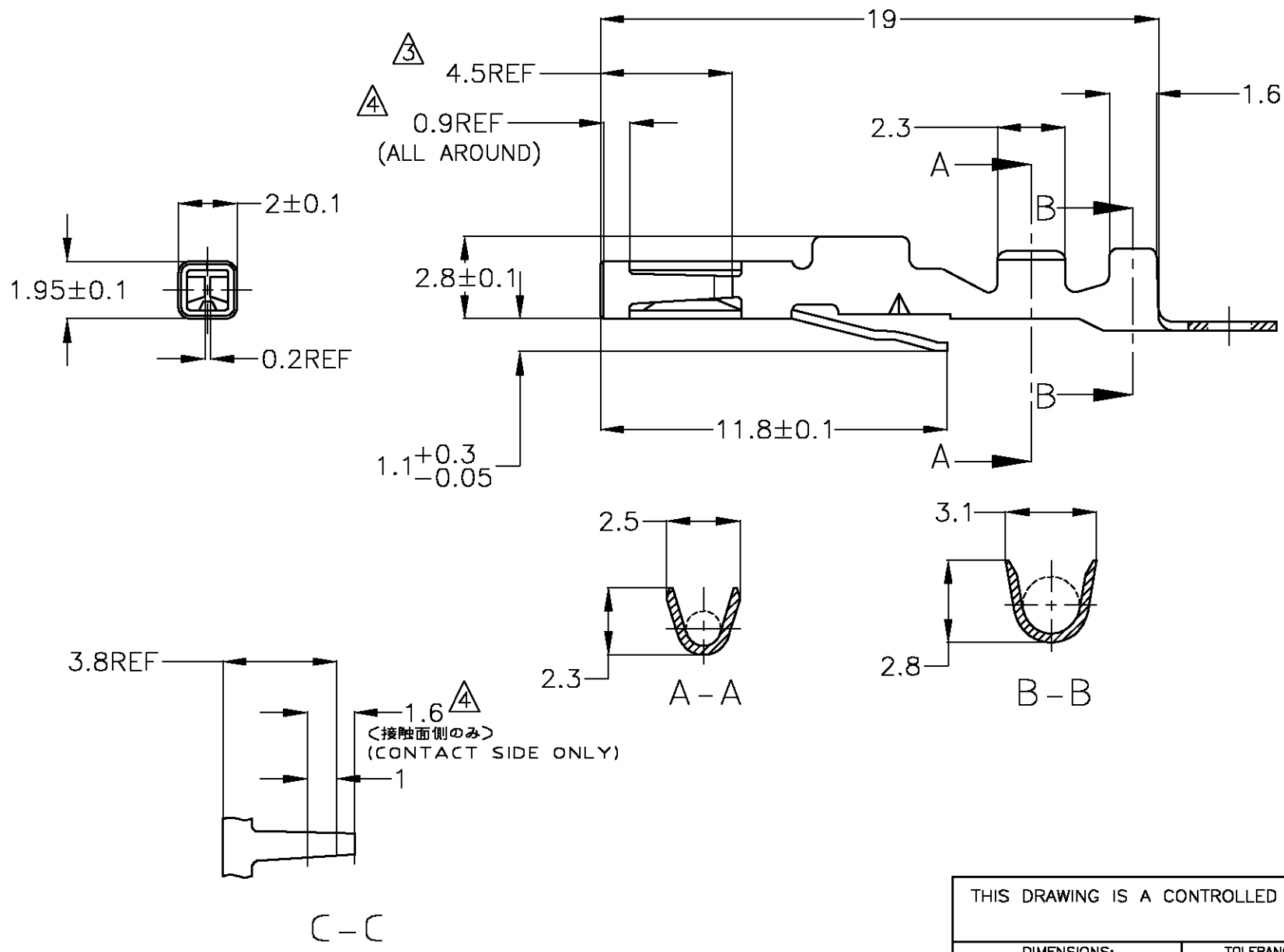
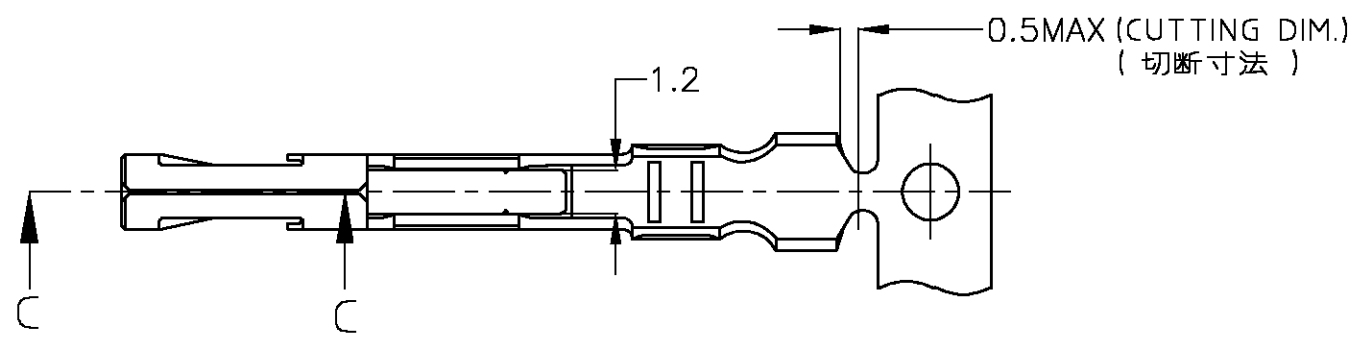


THIS DRAWING IS UNPUBLISHED. RELEASED FOR PUBLICATION
 © COPYRIGHT 2003 BY TYCO ELECTRONICS CORPORATION. ALL RIGHTS RESERVED.

LOC	DIST	REVISIONS					
J	—	P	LTR	DESCRIPTION	DATE	DWN	APVD
			H1	REVISED FJ00-2364-02	22JUN04	AY	KB



- 注:
- 1 使用ハウジング型番 172021,172047 他
 - 2 製品規格: 108-5124
 - △ 全面ニッケルめっきの上に4.5mmの部分に0.38μm以上の金めっき
 - △ 全面ニッケルめっきの上に接触バネ内側 1.6mmの部分に0.38μm以上の金めっき コンタクト先端 0.9mmのところ金フラッシュめっき
 - △ 1-170291-1の逆巻きリール
- NOTES:
- 1 MATALE HOUSING :172021,172047 AND OTHERS
 - 2 PRODUCT SPECIFICATION : 108-5124
 - △ 0.38μm MIN. SELECTIVE GOLD PLATING IN 4.5mm LENGTH OVER NICKEL PLATING
 - △ 0.38μm MIN. SELECTIVE GOLD IN 1.6mm LENGTH (INSIDE OF LEAF) OVER NICKEL PLATING, GOLD FLASH PLATING IN TIP OF CONTACT 0.9mm LENGTH
 - △ REVERSE REEL OF 1-170291-1

型番 (NUMBER)	材料 (MATERIAL)	仕上 (FINISH)	バラ端子型番 (L/P PART NUMBER)
1-170291-1	黄銅, BRASS, 0.3t	錫めっき済 PRE-TINND MAT'L	1-170321-1
OBSOLETE	1-170291-3	黄銅, BRASS, 0.3t	—
1-170291-4	リン青銅, 0.3t PHOS-BZ	錫めっき済 PRE-TINND MAT'L	1-170321-4
1-170291-7	リン青銅, 0.3t PHOS-BZ	△	—
△	3-170291-1	黄銅, BRASS, 0.3t	錫めっき済 PRE-TINND MAT'L

THIS DRAWING IS A CONTROLLED DOCUMENT.

DWN A.YAMAGUCHI 09JUL03	Tyco Electronics AMP K.K. Kawasaki, Japan
CHK K.BETSUI 09JUL03	
APVD K.BETSUI 09JUL03	NAME 名称
PRODUCT SPEC 製品規格 108-5124	DUAL LINE INTERLOCK CONNECTOR
APPLICATION SPEC 取付適用規格 114-5045	SIZE A3
WEIGHT —	CAGE CODE 00779
	DRAWING NO C-170291
	RESTRICTED TO —

SCALE 5:1 SHEET 1 OF 1 REV H1

WIRE RANGE
0.3~0.56mm² (AWG#22-#20)

INSULATION DIA.
2.4mm MAX.

DIMENSIONS: 単位: 概 MM	TOLERANCES UNLESS OTHERWISE SPECIFIED: 一般公差 ±0.3
	0-PLC ± 1-PLC ± 2-PLC ± 3-PLC ± 4-PLC ±
MATERIAL 材料 SEE TABLE	ANGLES ± FINISH 仕上 SEE TABLE