

DC Fan Motors

**SAN ACE** □ **40mm**  
FINE ACE



Best suited for reliable, compact precision equipment

General specifications

Motor protection system ····Current cut system (with reverse-connection protection)

Dielectric strength ······50/60 Hz, 500 VAC, 1 minute  
(between lead conductor and frame)

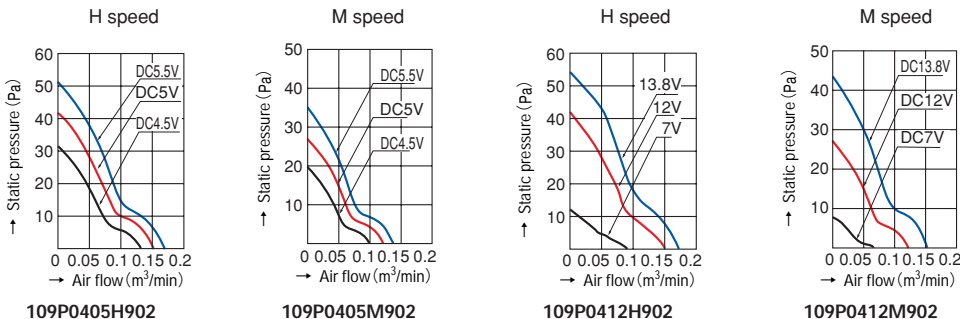
Operating thermally range -10°C to +60°C (non-condensing)

Fan power lead ········H, F, G, B speeds, ⊕ red, ⊖ black  
M speed, ⊕ red, ⊖ blue

**10mm thick**  
Specifications

Model No	Rated voltage (V)	Operating voltage range (V)	Rated current (A)	Rated input (W)	Rated rotating speed (min <sup>-1</sup> )	Air flow (m <sup>3</sup> /min)	Air flow (CFM)	Static pressure (Pa)	Noise (dB[A])	Mass (g)
109P0405H902	5	4.5~5.5	0.16	0.8	6,200	0.15	5.3	41.16	25	19
109P0405M902			0.11	0.55	5,000	0.12	4.2	26.95	21	
109P0412H902	12	7~13.8	0.07	0.84	6,200	0.15	5.3	41.16	25	19
109P0412M902			0.06	0.72	5,000	0.12	4.2	26.95	21	

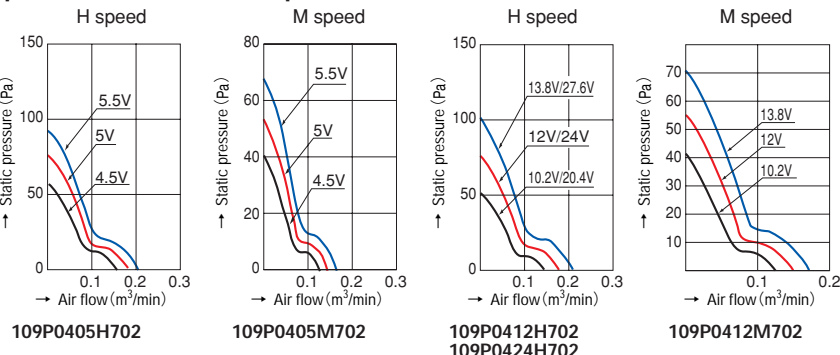
Typical air flow and static pressure characteristics



**15mm thick**  
Specifications

Model No	Rated voltage (V)	Operating voltage range (V)	Rated current (A)	Rated input (W)	Rated rotating speed (min <sup>-1</sup> )	Air flow (m <sup>3</sup> /min)	Air flow (CFM)	Static pressure (Pa)	Noise (dB[A])	Mass (g)
109P0405H702	5	4.5~5.5	0.28	1.4	7,700	0.18	6.4	75.5	28	32
109P0405M702			0.21	1.05	6,500	0.15	5.3	53	24	
109P0412H702	12	10.2~13.8	0.13	1.56	7,700	0.18	6.4	75.5	28	32
109P0412M702			0.095	1.14	6,500	0.15	5.3	53	24	
109P0424H702	24	20.4~27.6	0.08	1.92	7,700	0.18	6.4	75.5	28	

Typical air flow and static pressure characteristics



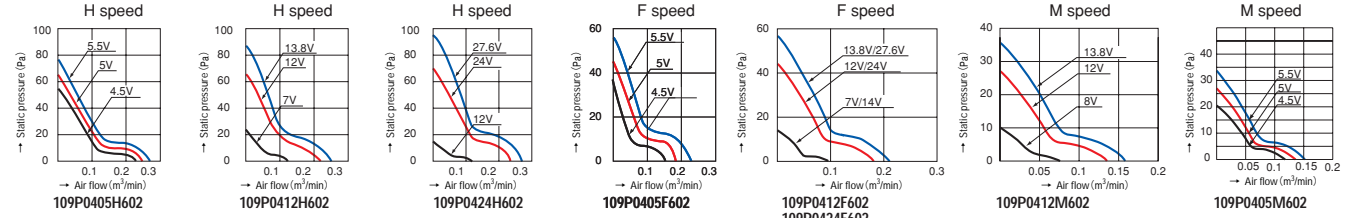
40mm

DC Fan Motors

# 20mm thick Specifications

Model No	Rated voltage (V)	Operating voltage range (V)	Rated current (A)	Rated input (W)	Rated rotating speed (min <sup>-1</sup> )	Air flow (m <sup>3</sup> /min) (CFM)	Static pressure (Pa)	Noise (dB[A])	Mass (g)
109P0405H602	5	4.5~5.5	0.32	1.6	8,000	0.225 8.0	65.7	33	45
109P0405F602			0.25	1.25	6,500	0.183 6.5	45.1	28	
109P0405M602			0.12	0.60	5,000	0.136 4.8	26.5	24	
109P0412H602	12	7~13.8	0.11	1.32	8,000	0.225 8.0	65.7	33	
109P0412F602			0.09	1.08	6,500	0.183 6.5	45.1	28	
109P0412M602			0.06	0.72	5,000	0.136 4.8	26.5	24	
109P0424H602	24	12~27.6	0.07	1.68	8,300	0.233 8.2	69.6	35	
109P0424F602			0.06	1.44	6,500	0.183 6.2	45.1	28	

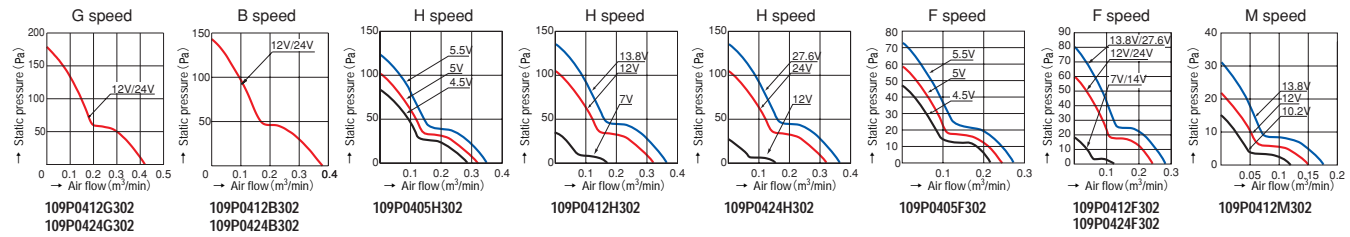
## Typical air flow and static pressure characteristics



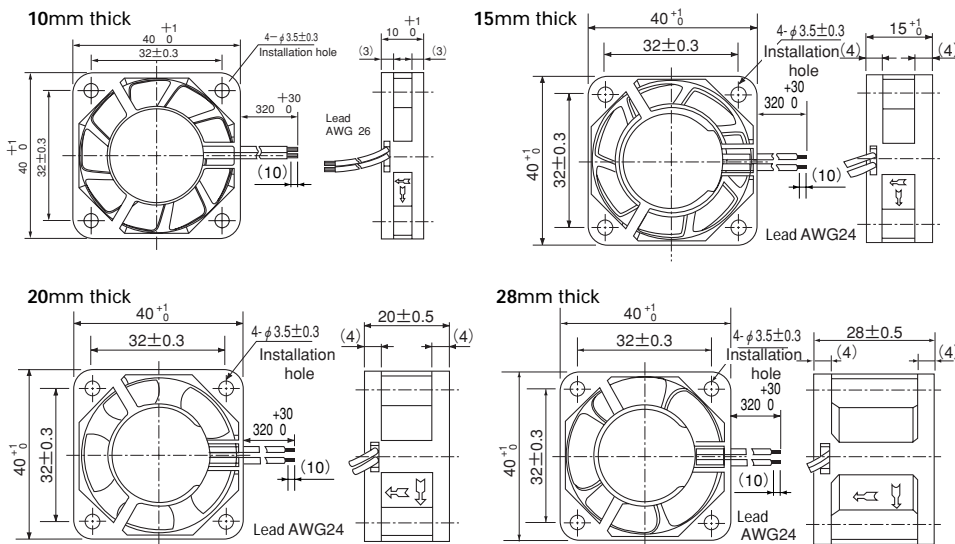
# 28mm thick Specifications

Model No	Rated voltage (V)	Operating voltage range (V)	Rated current (A)	Rated input (W)	Rated rotating speed (min <sup>-1</sup> )	Air flow (m <sup>3</sup> /min) (CFM)	Static pressure (Pa)	Noise (dB[A])	Mass (g)
109P0405H302	5	4.5~5.5	0.68	3.4	8,700	0.32 11.3	103	37	52
109P0405F302			0.28	1.4	6,700	0.244 8.6	58.8	30	
109P0412G302			0.31	3.72	11,500	0.42 14.8	179	42	
109P0412B302	12	7~13.2	0.28	3.36	10,300	0.38 13.4	143	40	
109P0412H302			0.195	2.34	8,700	0.32 11.3	103	37	
109P0412F302			0.105	1.26	6,700	0.244 8.6	58.8	30	
109P0412M302	24	10.2~13.8	0.045	0.54	4,100	0.15 5.3	21.6	20	
109P0424G302			0.19	4.56	11,500	0.42 14.8	179	42	
109P0424B302			0.13	3.12	10,300	0.38 13.4	143	40	
109P0424H302	24	12~27.6	0.095	2.28	8,700	0.32 11.3	103	37	
109P0424F302			0.055	1.32	6,700	0.244 8.6	58.8	30	

## Typical air flow and static pressure characteristics



## Dimensions (unit : mm)



Reference dimensional diagram for installation holes (unit : mm)

Discharge sides · Suction sides

# SANYO DENKI

1-15-1, Kita-otsuka, Toshima-ku, Tokyo 170-8451, Japan. PHONE : +81 3 3917 5151  
Home Page: <http://www.sanyodenki.co.jp>

Rev.B