



# TAOGLAS®



# Datasheet

**Part No:**  
**PA.11**

**Description**

2.4GHz Band Dielectric Ceramic PIFA  
SMT Antenna for Bluetooth/WLAN/ZigBee Applications

**Features:**

2400-2484Mhz, 1.5dBi Peak Gain  
Size: 10mm\*4mm\*3mm  
Designed for the top right hand corner edge of the Component side  
of the board (bottom left corner edge)  
SMT Mount  
RoHS & Reach Compliant

<b>1.</b>	<b>Introduction</b>	<b>2</b>
<b>2.</b>	<b>Specification</b>	<b>3</b>
<b>3.</b>	<b>Antenna Characteristics</b>	<b>4</b>
<b>4.</b>	<b>Radiation Patterns</b>	<b>7</b>
<b>5.</b>	<b>Mechanical Drawing</b>	<b>11</b>
<b>6.</b>	<b>Antenna Integration Guide</b>	<b>12</b>
<b>7.</b>	<b>Packaging</b>	<b>19</b>
<b>8.</b>	<b>Solder Reflow Profile</b>	<b>20</b>
<hr/>		
	Changelog	21

Taoglas makes no warranties based on the accuracy or completeness of the contents of this document and reserves the right to make changes to specifications and product descriptions at any time without notice. Taoglas reserves all rights to this document and the information contained herein. Reproduction, use or disclosure to third parties without express permission is strictly prohibited.



# 1. Introduction



This specification covers the Dielectric PIFA Antenna for 2400-2484MHz, covering such applications as Wi-Fi, Bluetooth and Zigbee. A ceramic dielectric

PIFA antenna offers smallest footprint, superior gain characteristics and improved isolation over traditional PCB based antennas. This antenna has been developed for the top right hand corner edge of the component side of the Board (bottom left corner edge), the antenna has to be positioned on a non-ground (copper/metal free) area with the feed-point matched direct to the module. Please refer to Recommended Foot print Diagram (8.0 Page 14).

Many module manufacturers specify peak gain limits for any antennas that are to be connected to that module. Those peak gain limits are based on free-space conditions. In practice, the peak gain of an antenna tested in free-space can degrade by at least 1 or 2dBi when put inside a device. So ideally you should go for a slightly higher peak gain antenna than mentioned on the module specification to compensate for this effect, giving you better performance.

Upon testing of any of our antennas with your device and a selection of appropriate layout, integration technique, or cable, Taoglas can make sure any of our antennas' peak gain will be below the peak gain limits. Taoglas can then issue a specification and/or report for the selected antenna in your device that will clearly show it complying with the peak gain limits, so you can be assured you are meeting regulatory requirements for that module.

For example, a module manufacturer may state that the antenna must have less than 2dBi peak gain, but you don't need to select an embedded antenna that has a peak gain of less than 2dBi in free-space. This will give you a less optimized solution. It is better to go for a slightly higher free-space peak gain of 3dBi or more if available. Once that antenna gets integrated into your device, performance will degrade below this 2dBi peak gain due to the effects of GND plane, surrounding components, and device housing. If you want to be absolutely sure, contact Taoglas and we will test. Choosing a Taoglas antenna with a higher peak gain than what is specified by the module manufacturer and enlisting our help will ensure you are getting the best performance possible without exceeding the peak gain limits.

## 2. Specification

### Wi-Fi Electrical

Band	Frequency (MHz)	Efficiency (%)	Average Gain (dB)	Peak Gain (dBi)	Impedance	Polarization	Radiation Pattern	VSWR
Wi-Fi - 2GHz	2400-2500	79.1	-1.02	5.02	50 Ω	Linear	Omni	2.0 Max

### Mechanical

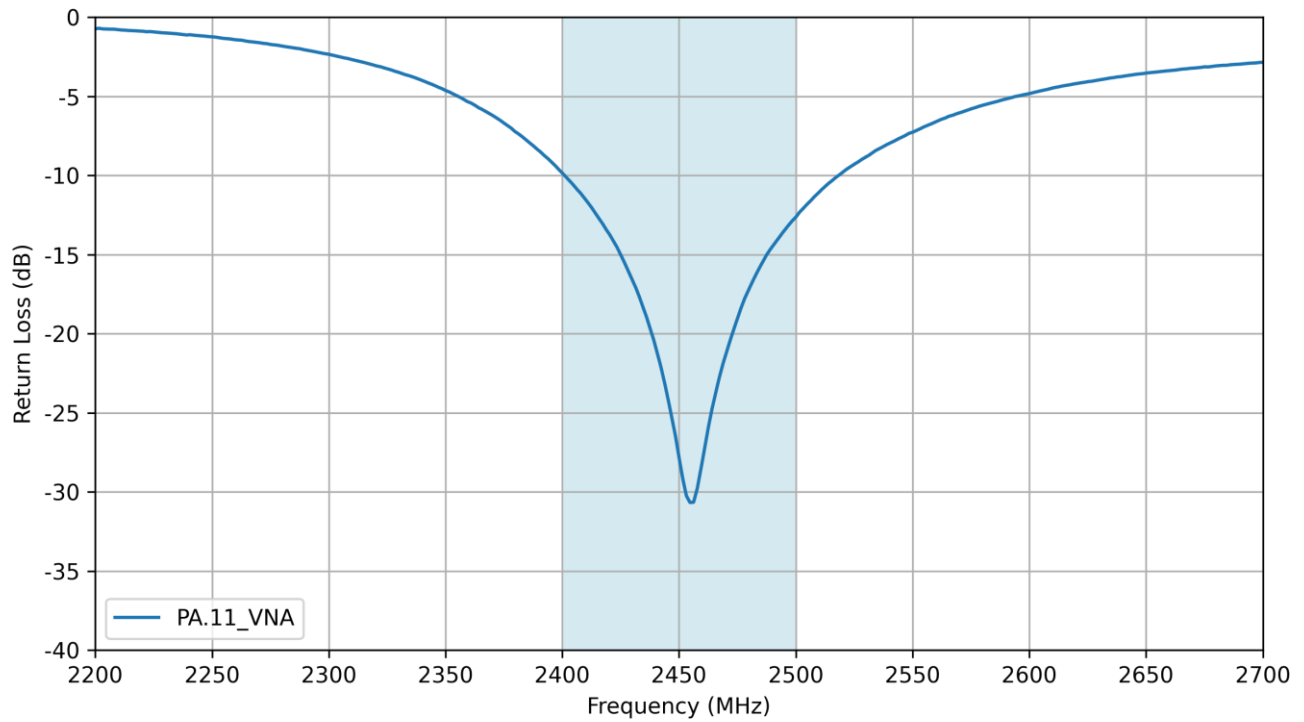
Dimensions	10*4*3mm
Termination	Ag (Environmentally Friendly Lead-Free)

### Environmental

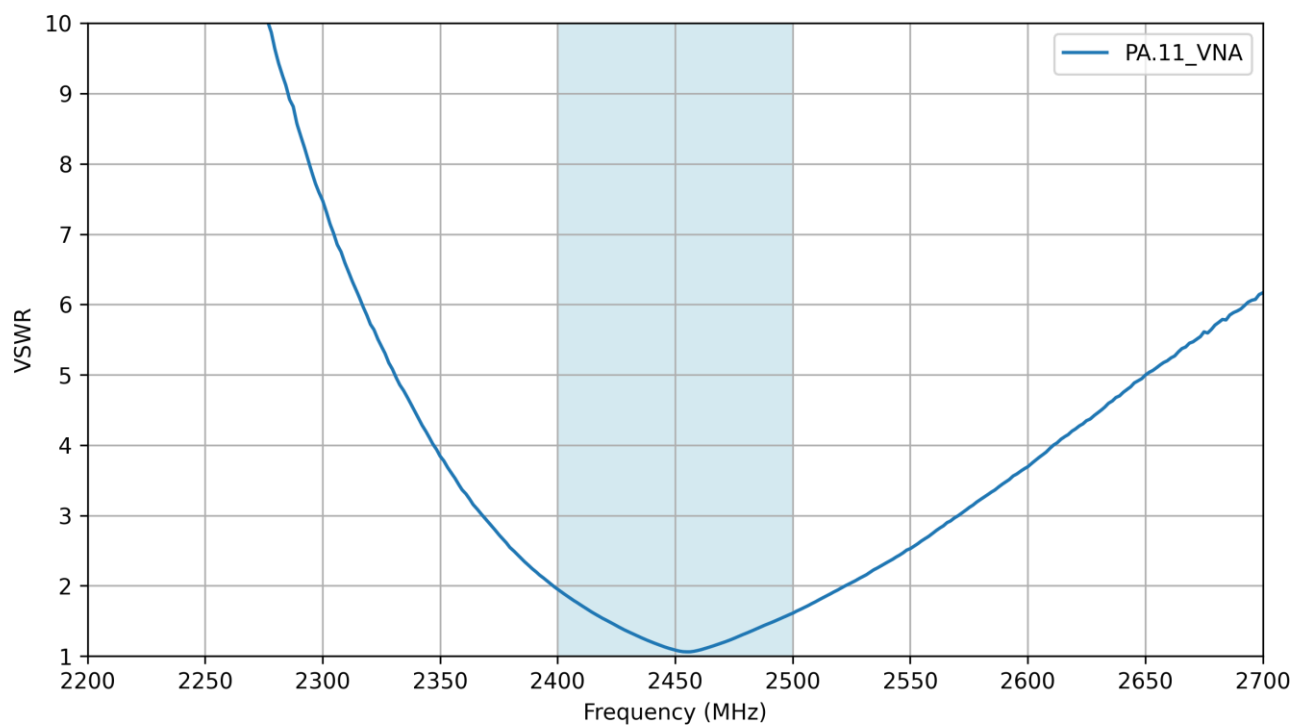
Operating Temperature	-40~+85°C
Moisture Sensitivity Level (MSL)	3 (168 Hours)

### 3. Antenna Characteristics

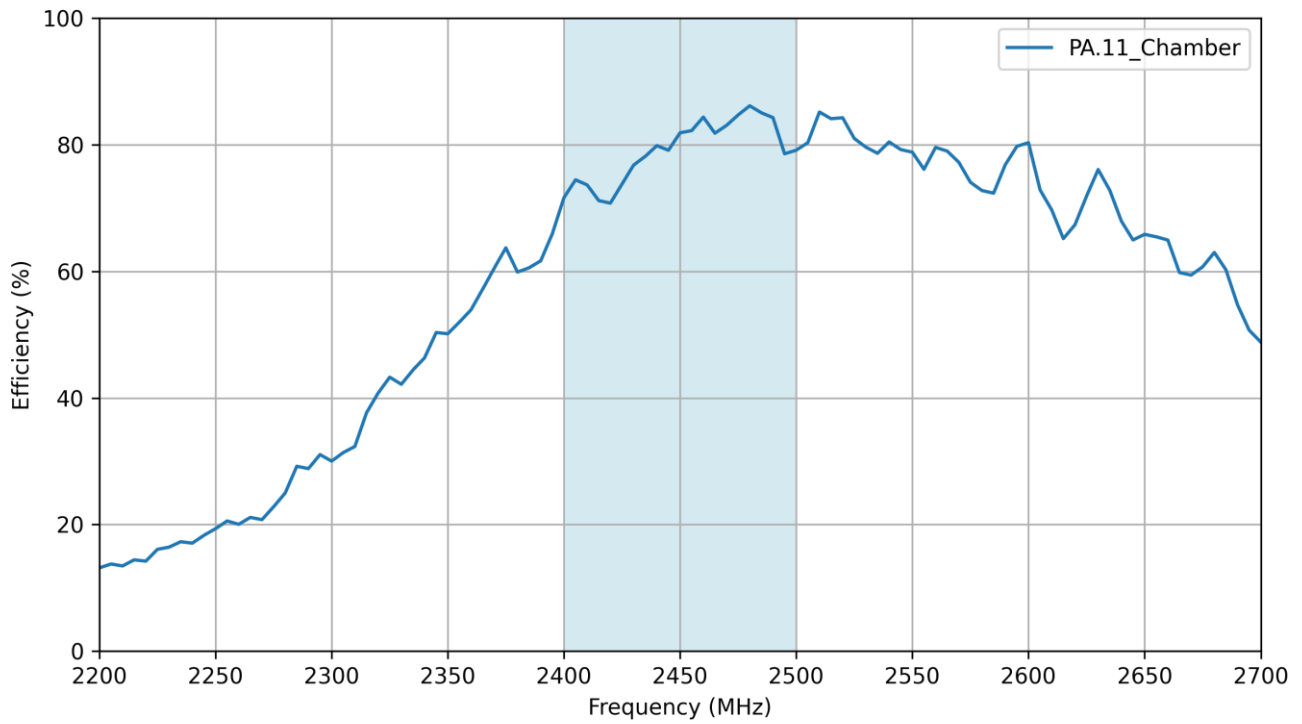
#### 3.1 Return Loss



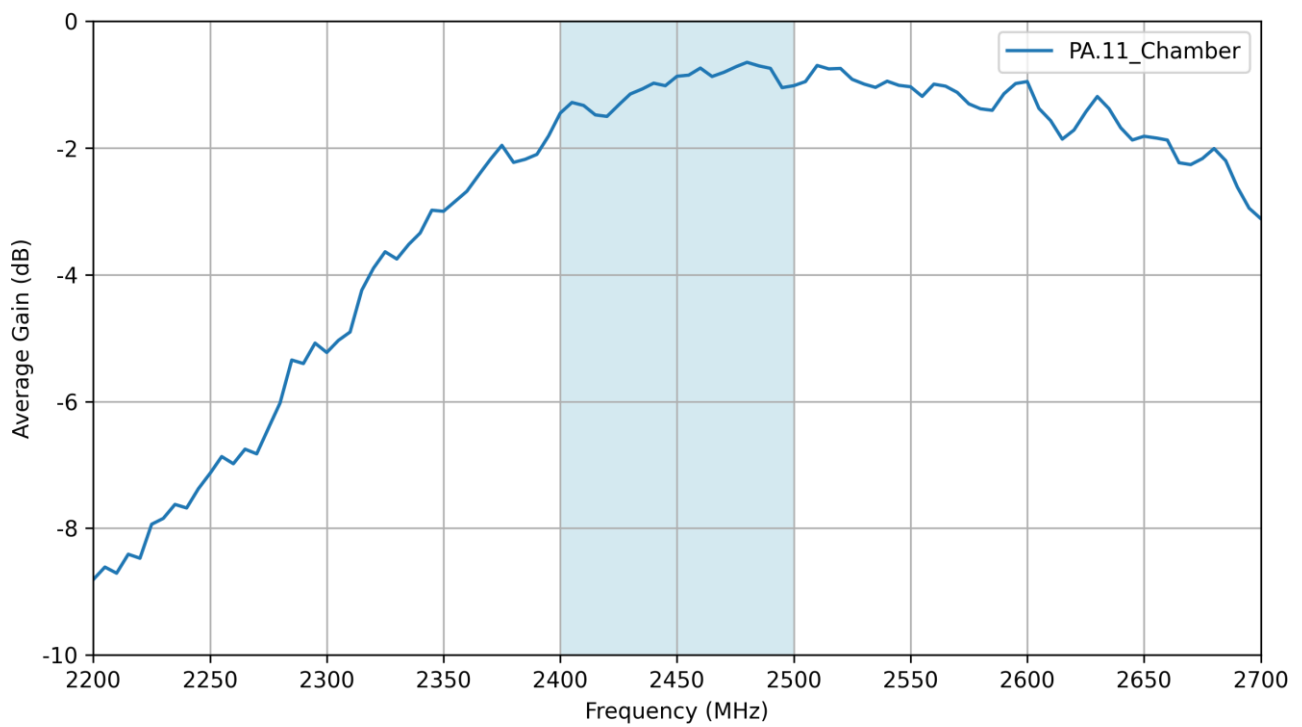
#### 3.2 VSWR



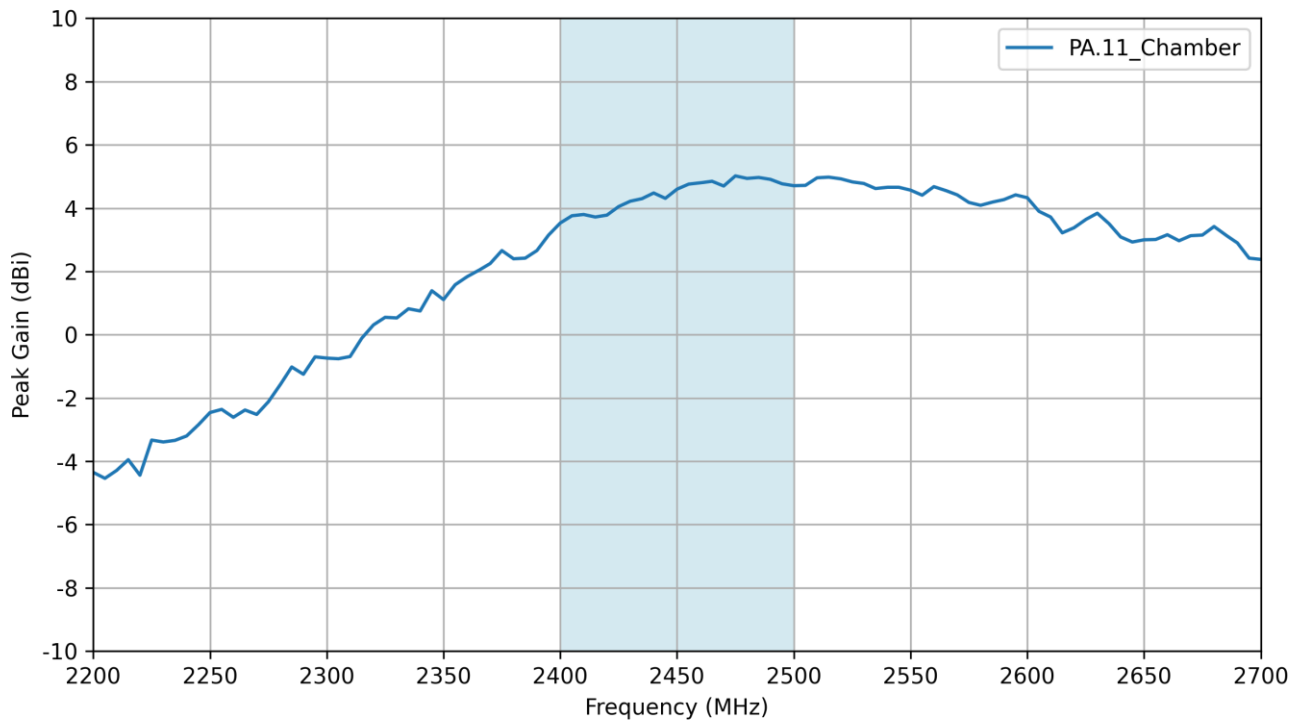
### 3.3 Efficiency



### 3.4 Average Gain

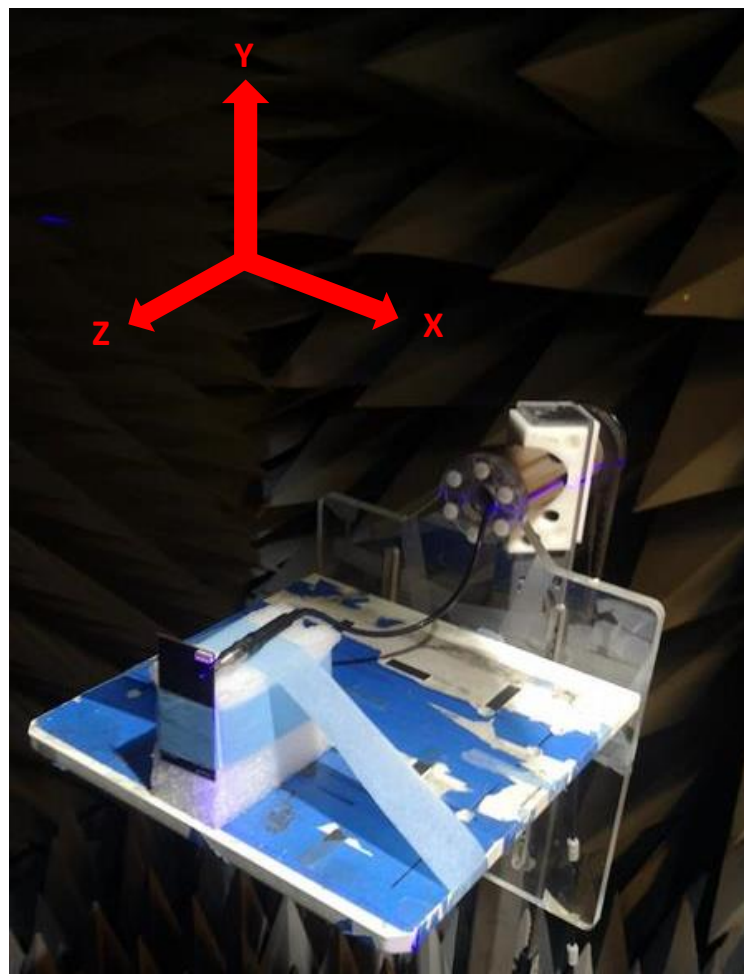
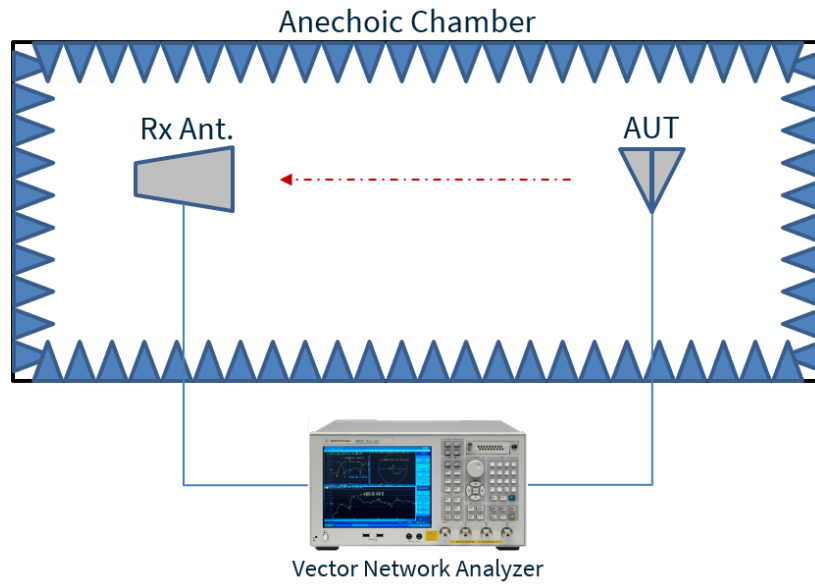


### 3.5 Peak Gain



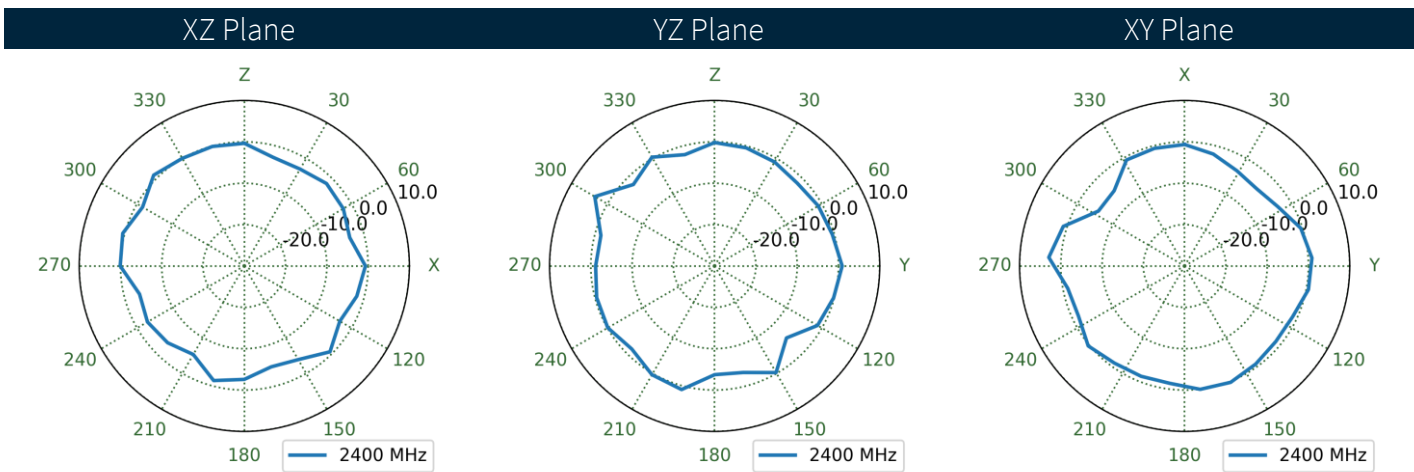
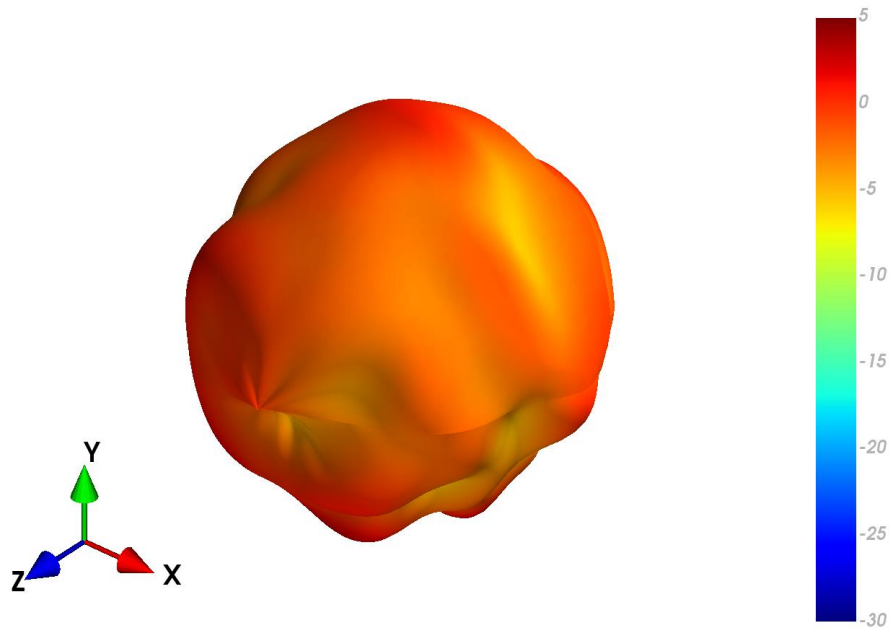
## 4. Radiation Patterns

### 4.1 Test Setup

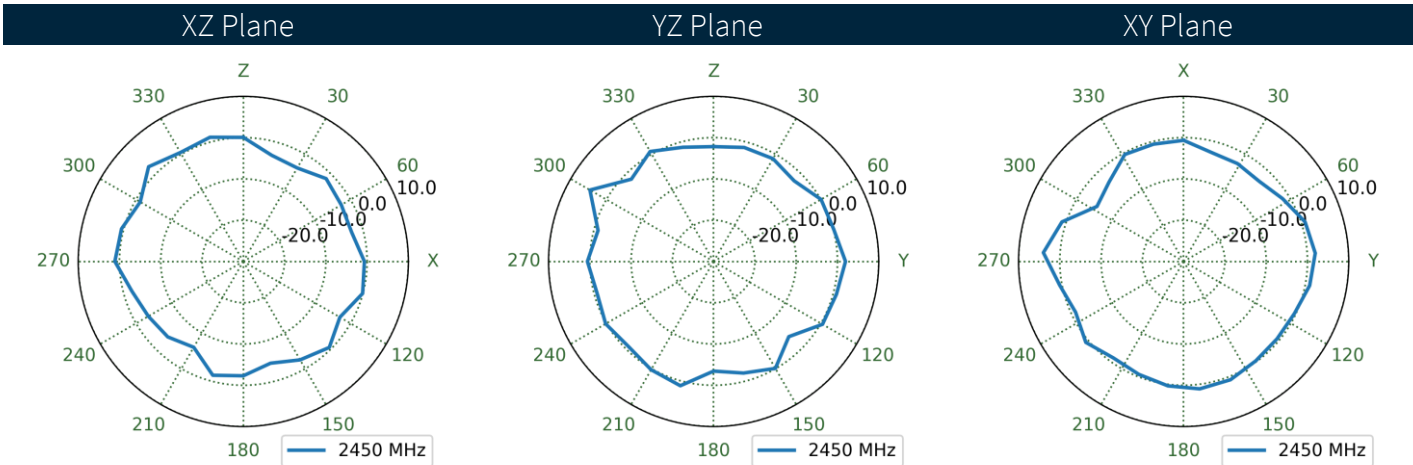
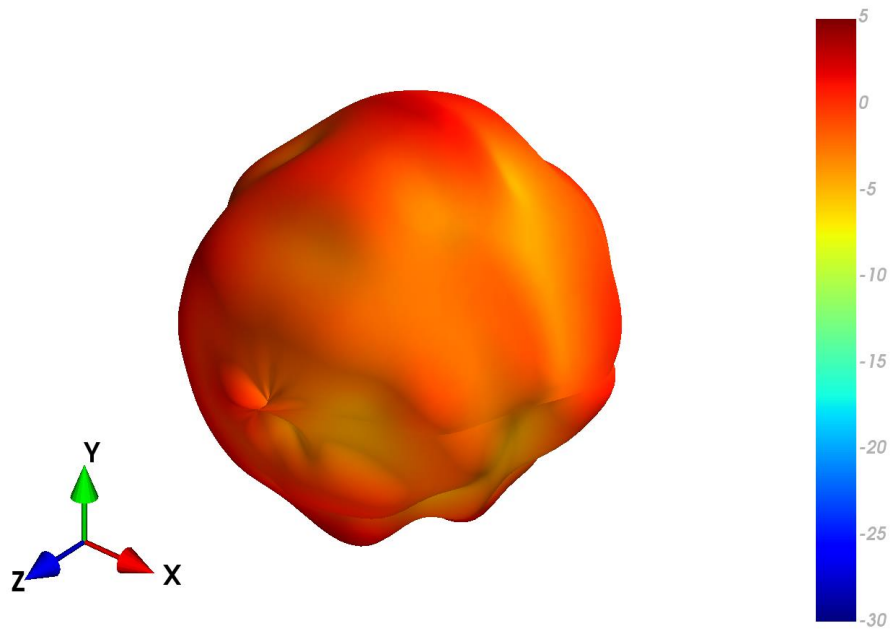




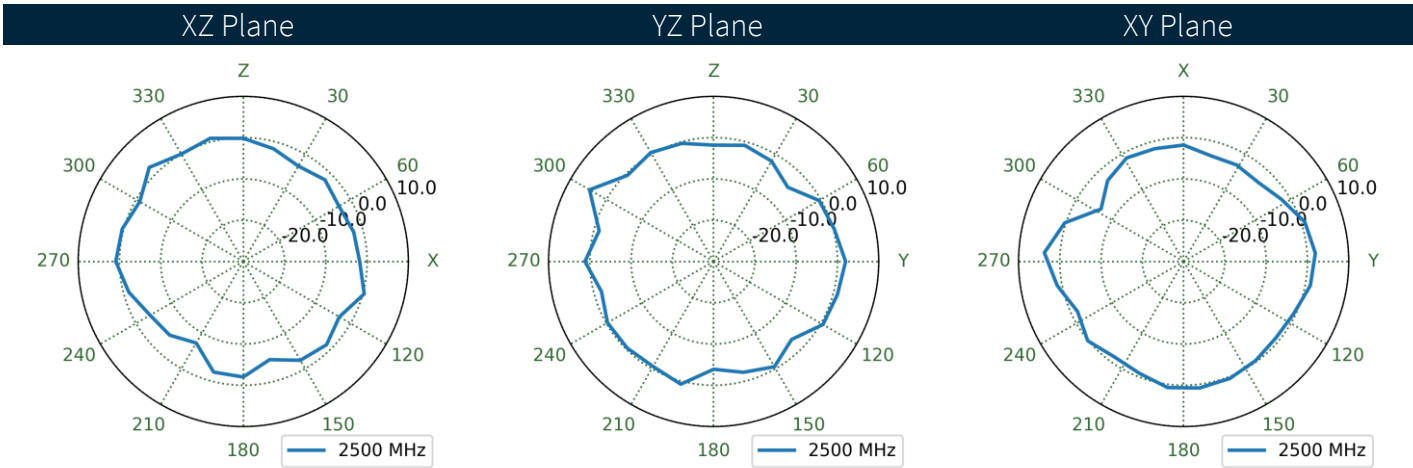
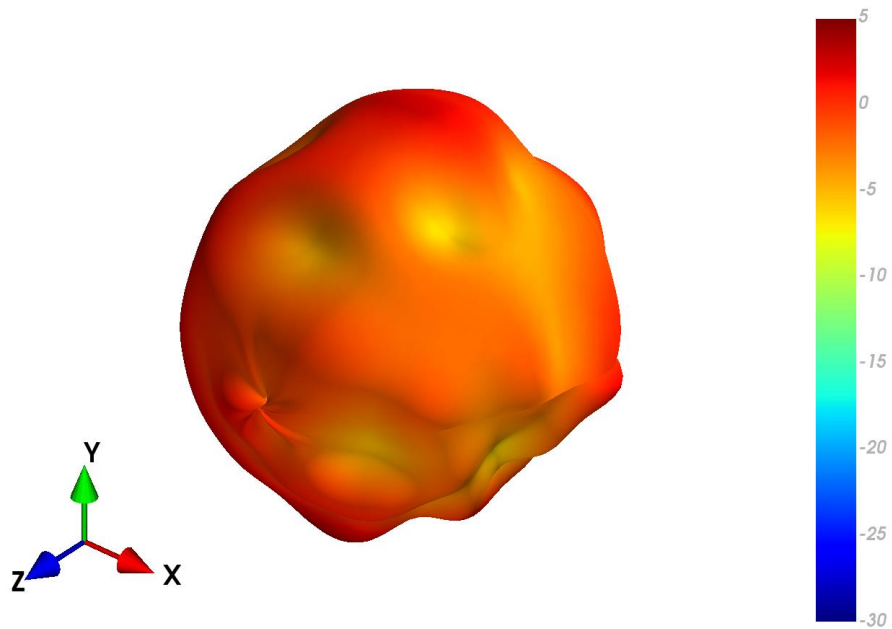
4.2 PA.11\_Chamber Patterns at 2400 MHz



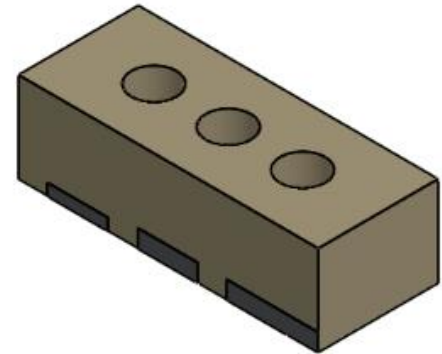
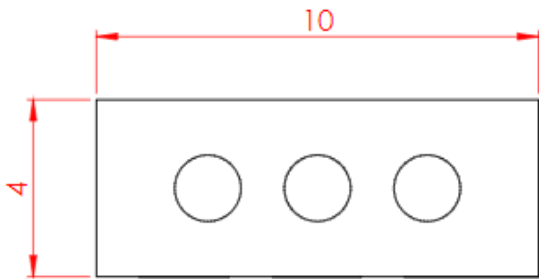
4.3 PA.11\_Chamber Patterns at 2450 MHz



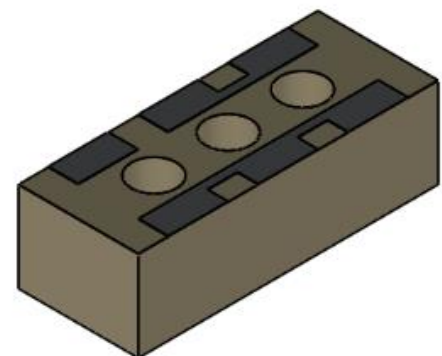
4.4 PA.11\_Chamber Patterns at 2500 MHz



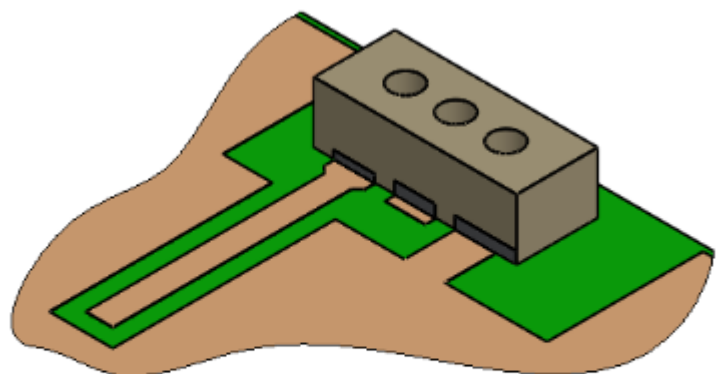
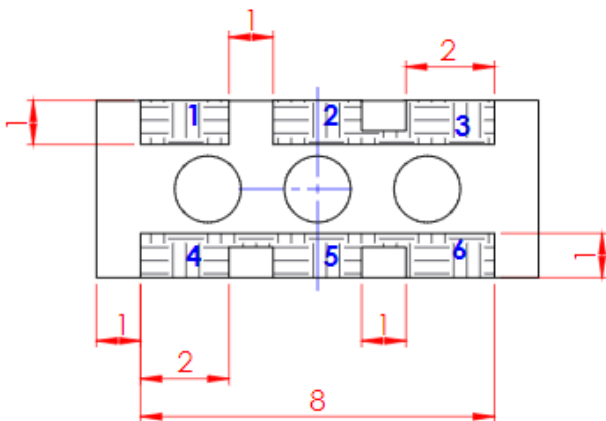
## 5. Mechanical Drawing



MODEL VIEW

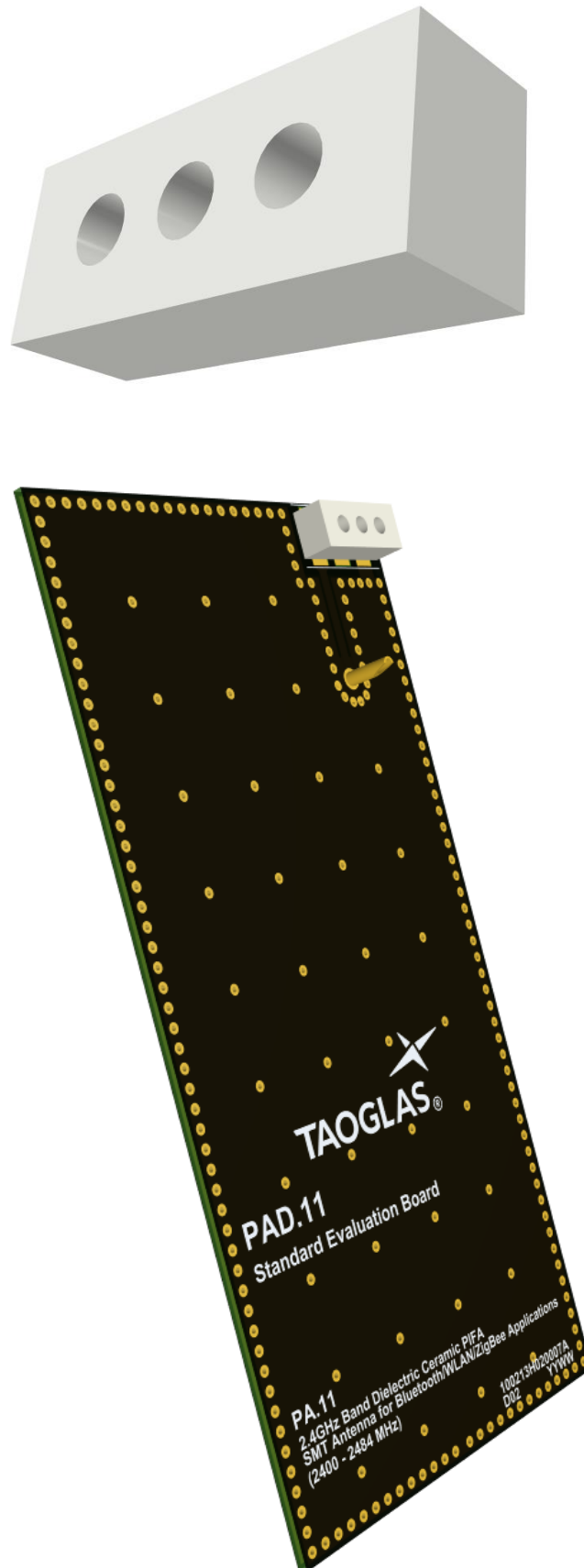


MODEL VIEW



ANTENNA ON FOOTPRINT PCB VIEW  
SCALE 4:1

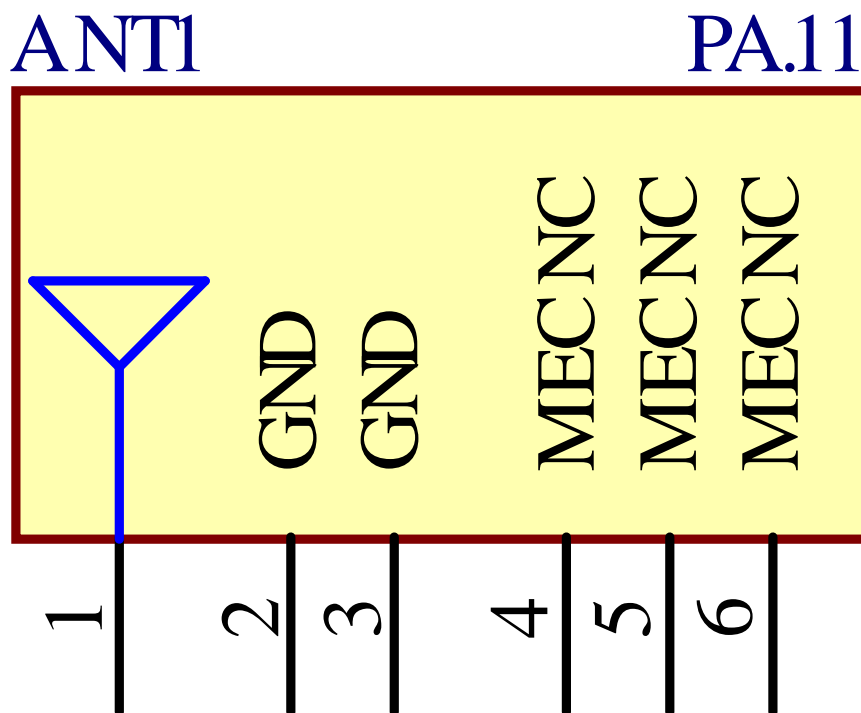
## 6. Antenna Integration Guide



## 6.1 Schematic and Symbol Definition

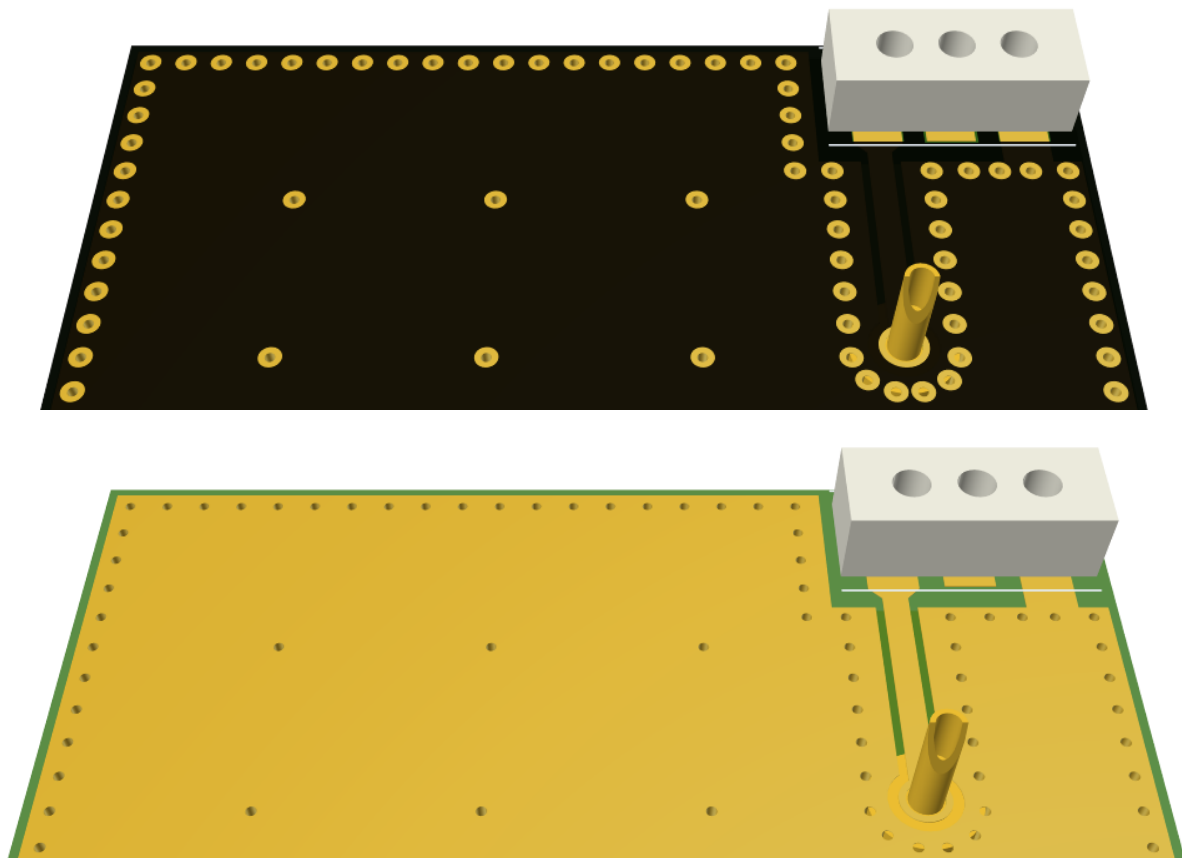
The circuit symbol for the antenna is shown below. The antenna has 6 pins with only three pins (Pin 1, Pin 2 and Pin 3) as functional. Pins 4, 5 and 6 are for mechanical strength.

Pin	Description
1	RF Feed
2, 3	Ground
4, 5, 6	Mechanical, Not Connected



## 6.2 Antenna Integration

For any given PCB size, the antenna should ideally be placed on the PCB's shortest side in the corner, to take advantage of the ground plane. Optimized matching components can be placed as shown.



## 6.3 PCB Layout

The footprint and clearance on the PCB must meet the layout drawing in (Footprint Drawing).



Topside

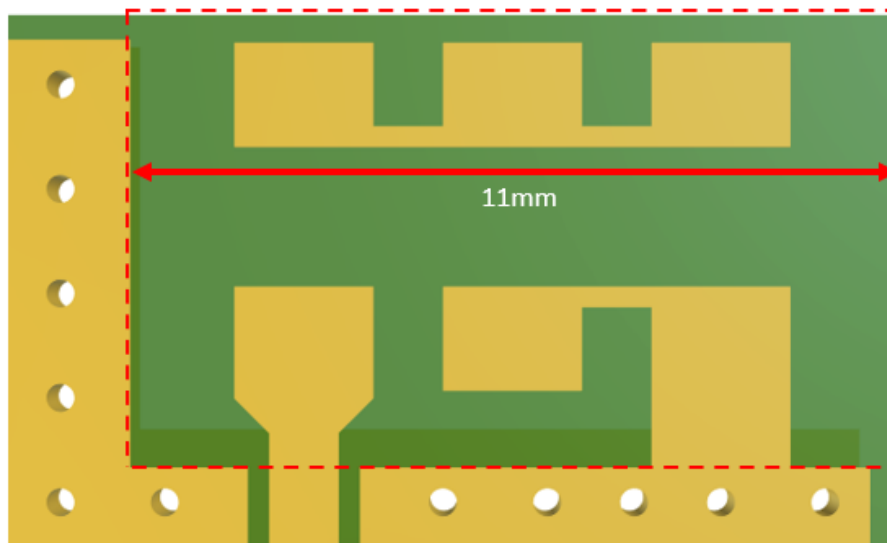


Bottom Side

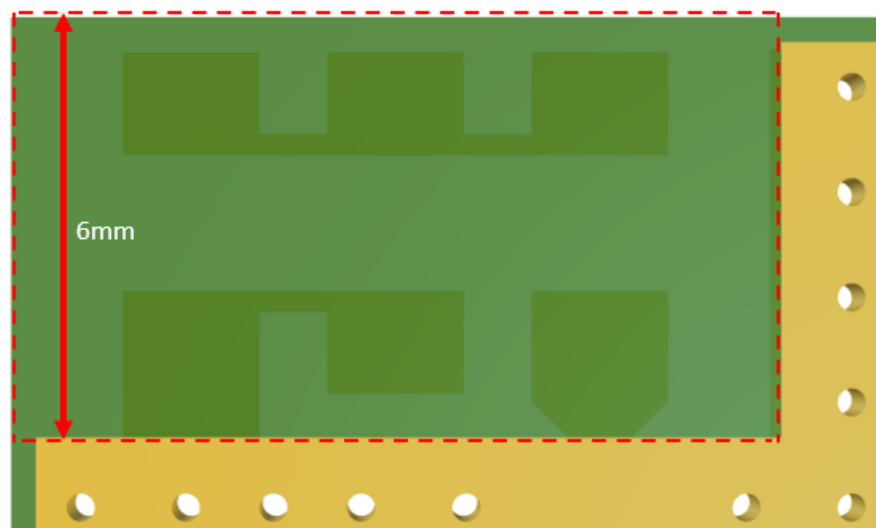


## 6.4 PCB Keep-out

Below shows the antenna footprint and clearance through ALL layers on the PCB. Only the antenna pads and connections to feed and GND are present within this clearance area (marked RED). The clearance area extends to 11mm in width and 6.5mm in length on the topside with 6mm in length on the bottom from the top right corner of the PCB. This clearance area includes the bottom side and ALL internal layers on the PCB.

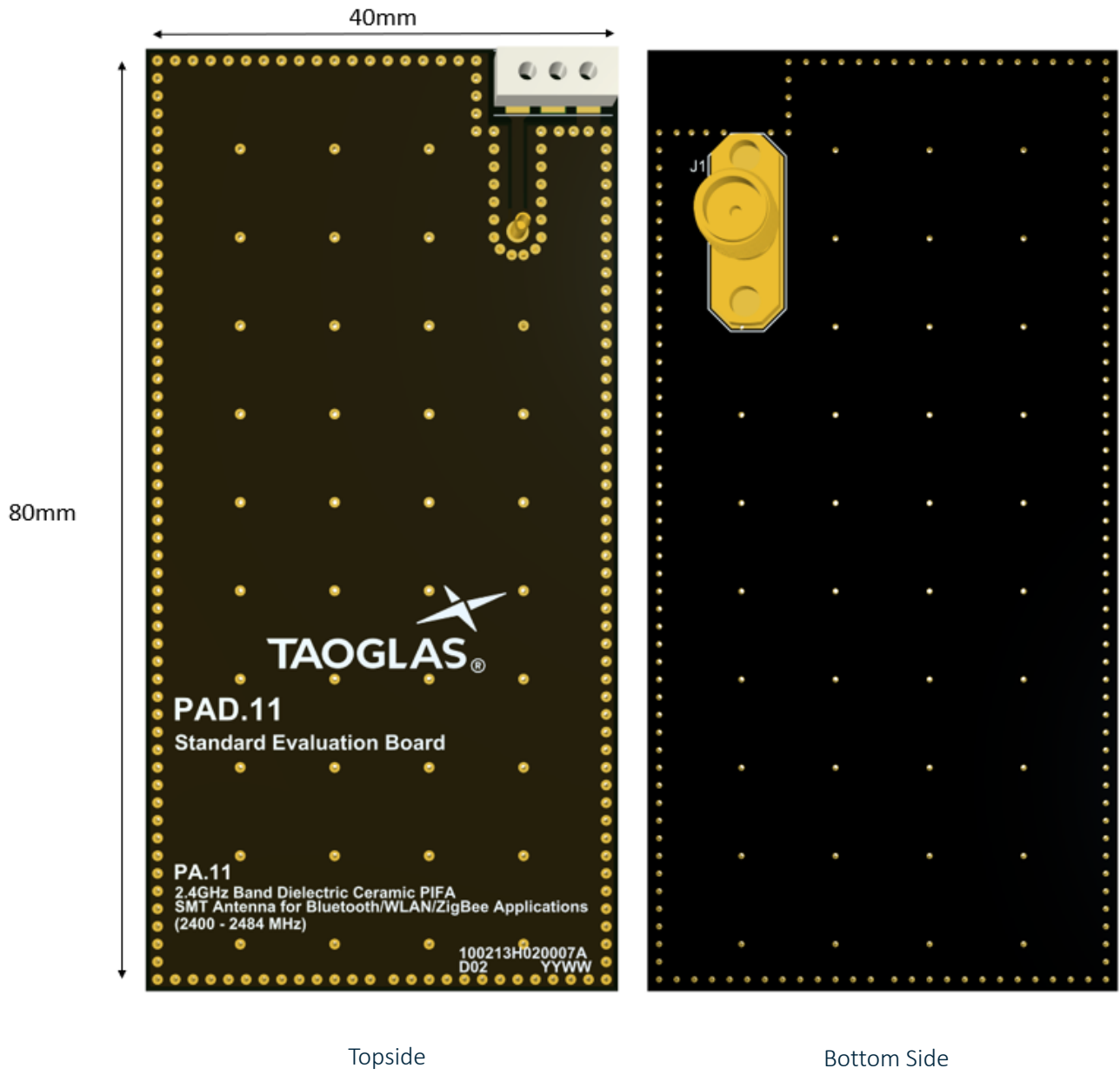


Topside

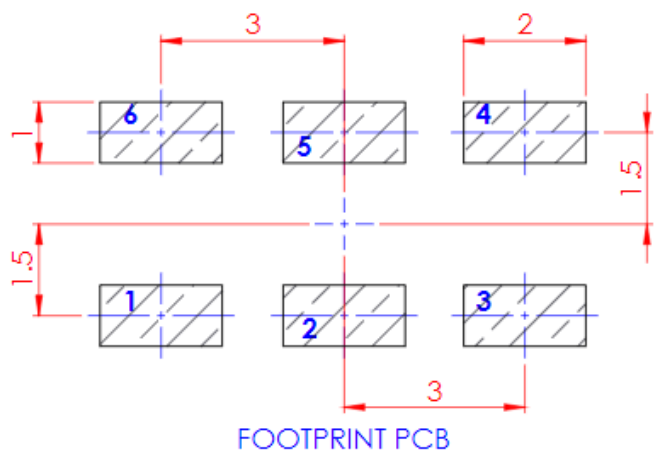


Bottom Side

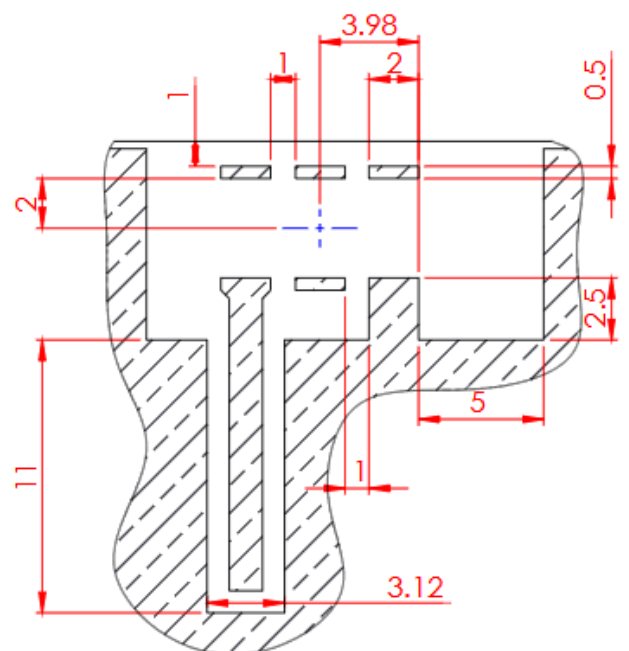
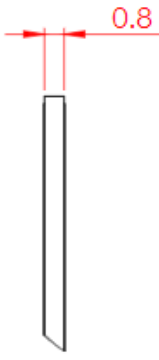
6.6 Evaluation Board



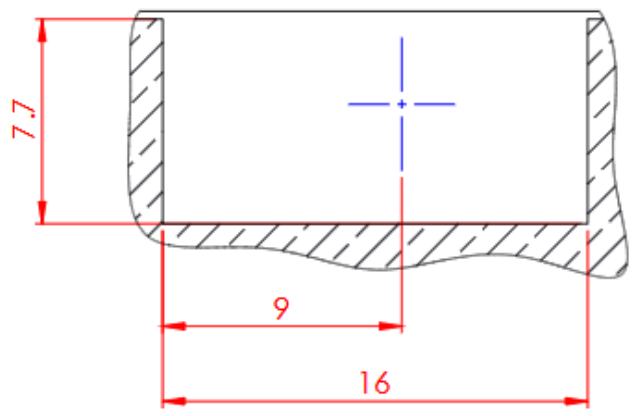
## 6.7 Footprint



FOOTPRINT PCB



GROUND CLEARANCE TOP VIEW (SILKSCREEN NOT SHOWN)

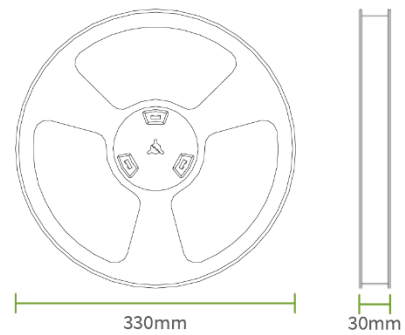


GROUND CLEARANCE BOTTOM VIEW (SILKSCREEN NOT SHOWN)

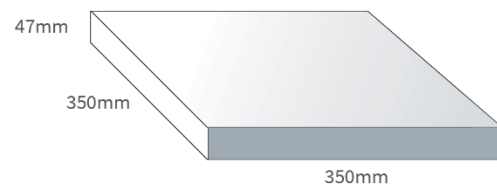
PIN	DESCRIPTION
1	RF FEED (50 Ohm)
2	MECHANICAL, NC
3	GROUND
4	MECHANICAL, NC
5	MECHANICAL, NC
6	MECHANICAL, NC

## 7. Packaging

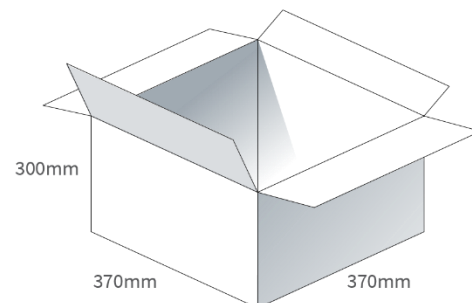
1000 pcs PA.11  
 1 reel in small inner box  
 Dimensions - 350\*350\*70



1000 pcs PA.11  
 1 reel in small inner box  
 Dimensions - 350\*350\*47

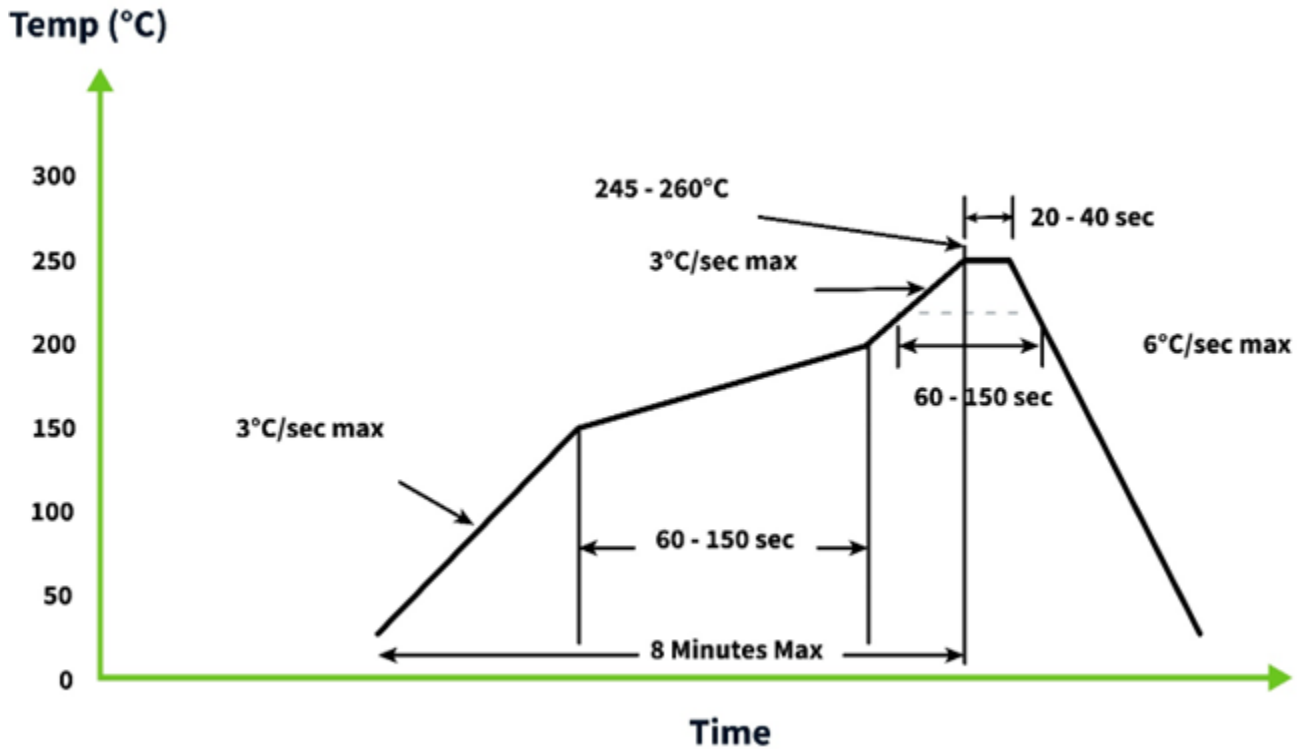


5 boxes / 5000 pcs in one carton  
 Carton Dimensions - 370\*360\*275mm



## 8. Solder Reflow Profile

The PA.11 can be assembled by following the recommended soldering temperatures are as follows:



\*Temperatures listed within a tolerance of +/- 10° C

Smaller components are typically mounted on the first pass, however, we do advise mounting the PA.11 when placing larger components on the board during subsequent reflows.

Note: Soldering flux classified ROLO under IPC J-STD-004 is recommended.

Changelog for the datasheet

**SPE-11-8-091 – PA.11**

**Revision: F (Current Version)**

Date:	2023-09-04
Changes:	Updated Solder Reflow information
Changes Made by:	Cesar Sousa

**Previous Revisions**

**Revision: E**

Date:	2022-12-06
Changes:	Full datasheet update.
Changes Made by:	Gary West

**Revision: A (Original First Release)**

Date:	2011-05-09
Notes:	
Author:	Technical Writer

**Revision: D**

Date:	2022-05-12
Changes:	Updated Packaging Specifications
Changes Made by:	Paul Doyle

**Revision: D**

Date:	2020-11-10
Changes:	Updated to new format
Changes Made by:	Dan Cantwell

**Revision: C**

Date:	2016-01-06
Changes:	Added Packaging
Changes Made by:	Jack Conroy

**Revision: B**

Date:	2015-08-24
Changes:	Amended note on Gain
Changes Made by:	Aine Doyle



[www.taoglas.com](http://www.taoglas.com)



# Mouser Electronics

Authorized Distributor

Click to View Pricing, Inventory, Delivery & Lifecycle Information:

[Taoglas:](#)

[PA.11](#)