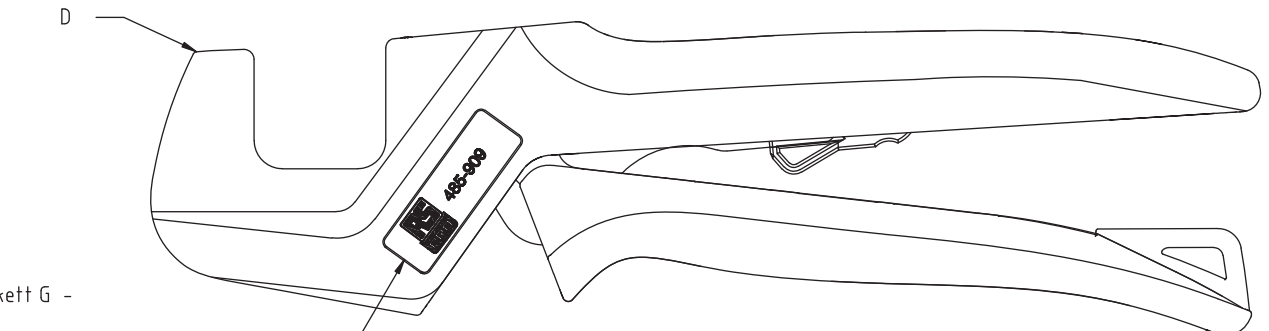
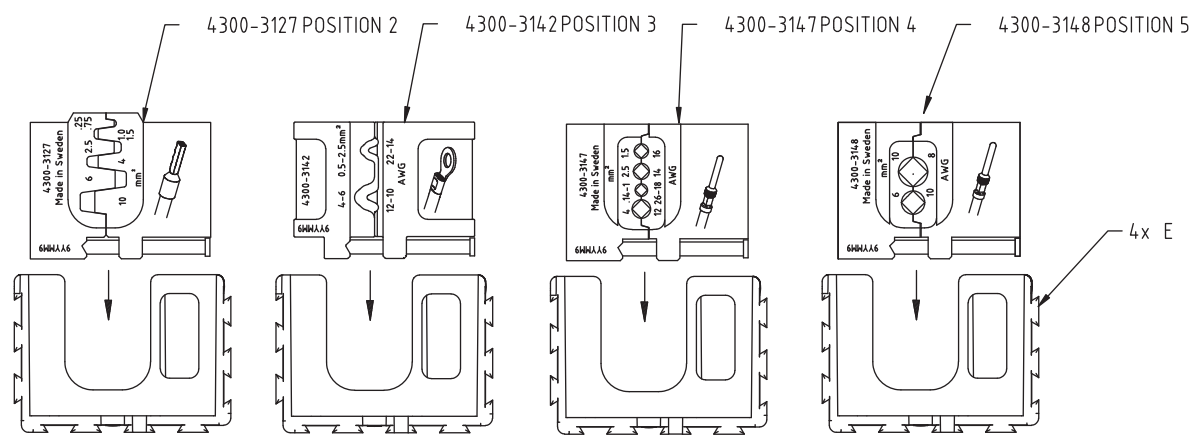
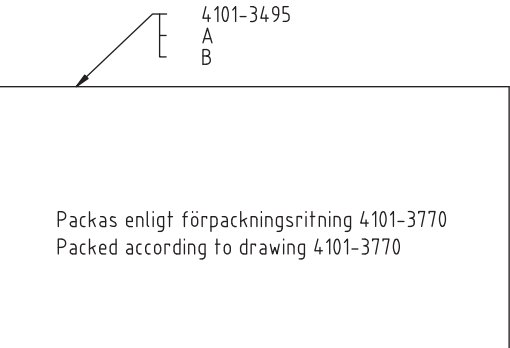


Rev	Change order	Change: A = Added W = Was D = Deleted	Date	Sign
-----	--------------	---------------------------------------	------	------



Packas i 10-packlåda F med etikett G -  
placering position B



4300-3166/AAB	-	4102-1304	4102-6090	4300-3149	4101-3490	-	-	-
	-					-		
ART.NR.VAR.	A	B	C	D	E	XX	F	G

Material			Behandling/Treatment			Status		
Konstr./Design TGW			Ritad/Drawn TGW			Datum/Date 2012-11-01		
Skala/Scale			Kontr./Checked			Godk./Approved		
Benämning/Denomination			Vikt/Veight,gram			Art grp		
Verktygssats mobile tool			Rtn nr/Drwing no			REV		
Industrial kit			43003166			-		

