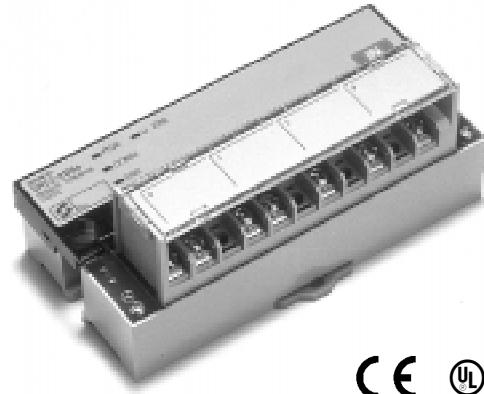


Analog Input Remote Terminal Block

SRT2-AD04

Add Analog Input Signals to a CompoBus/S System

- Up to four analog inputs per terminal
- Six input ranges, switch selected: 0 to 5 V, 1 to 5 V, 0 to 10 V, -10 to +10 V, 0 to 20 mA, and 4 to 20 mA
- Takes only 1 ms to exchange each input point
- Resolution: 1/6000
- Terminal measures the same size as 16-point I/O terminals
- Easily mounts to DIN rail track or with screws for panel mounting



Ordering Information

Classification	I/O points	Input ranges	Part number
Analog input terminal	1 to 4 (selectable with DIP switch)	Six, selectable with DIP switch	SRT2-AD04

Note: For details about connecting the SRT2-AD04 to the Master Unit, refer to *CompoBus/S Operation Manual (W266)*.

Specifications

■ RATINGS

Input

Item		Voltage input	Current input
Max. signal input		±15 V	±30 mA
Input impedance		1 MΩ max.	Approx. 250 Ω
Resolution		1/6,000 (FS)	
Total accuracy	25°C	±0.3% FS	±0.4% FS
	-10°C to 55°C	±0.6% FS	±0.8% FS
Conversion time		4 ms/4 points, 3 ms/3 points, 2 ms/2 points, and 1 ms/1 point	
Dielectric strength		500 VAC for 1 min between communications power supply, analog input, and communications terminals (See Note)	

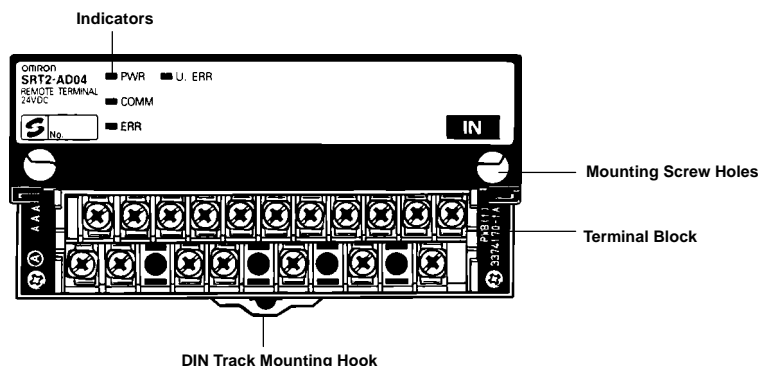
Note: There is no isolation between analog inputs.

■ CHARACTERISTICS

Communications power supply voltage	14 to 26.4 VDC (possible to provide through dedicated flat cable)
Current consumption	100 mA max.
Connection method	Multi-drop method and T-branch method Secondary branches cannot be connected to T-branch lines.
Dielectric strength	500 VAC between insulated circuits
Noise immunity	±1.5 kV with a noise width of 100 ns to 1 μs.
Vibration resistance	10 to 150 Hz, 1.0 mm double amplitude or 70 m/s ²
Shock resistance	200 m/s ²
Mounting strength	No damage with 100 N pull load applied in all directions.
Terminal strength	No damage with 100 N pull load applied
Screw tightening torque	0.3 to 0.5 N • m
Ambient temperature	Operating: -10°C to 55°C (14° to 131°F) with no icing or condensation Storage: -25°C to 65°C (-13° to 149°F) with no icing or condensation
Ambient humidity	Operating: 25% to 85% with no condensation
Weight	Approx. 120 g

Nomenclature

SRT2-AD04

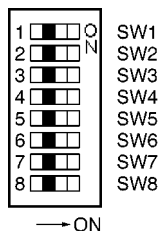


Indicators

Indicator	Name	Color	Display	Meaning
PWR	Power supply	Green	Lit	The communications power supply is ON.
			Not lit	The communications power supply is OFF.
COMM	Communication	Yellow	Lit	Normal communications
			Not lit	A communications error has occurred or the Module is in standby status.
ERR	Communication error	Red	Lit	A communications error has occurred.
			Not lit	Normal communications or the Module is in standby status.
U.ERR	Unit error	Red	Lit	An error has occurred in the Module.
			Not lit	Normal communications or the Module is in standby status.

DIP Switch (SW101)

(Open cover to access.)



Pin 1	Pin 2	Input points
OFF	OFF	4 points (default setting)
OFF	ON	3 points (inputs 0 to 2 enabled)
ON	OFF	2 points (inputs 0 and 2 enabled)
ON	ON	1 point (input 0 enabled)

Pin 3	Communications mode
OFF	High-speed communications (default setting)
ON	Long-distance communications

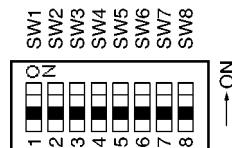
Pin 4	Be sure to turn OFF.
--------------	----------------------

Pin no.	Node address
Pin 5	2 ³
Pin 6	2 ²
Pin 7	2 ¹
Pin 8	2 ⁰

The default setting is for all of these pins to be OFF.

DIP Switch (SW102)

(Open cover to access.)



Pin 1	Pin 2	Pin 3	Range for inputs 0, 1
Pin 4	Pin 5	Pin 6	Range for inputs 2, 3
OFF	OFF	OFF	0 to 5 V (default setting)
ON	OFF	OFF	1 to 5 V
OFF	ON	OFF	0 to 10 V
ON	ON	OFF	-10 to +10 V
OFF	OFF	ON	4 to 20 mA
ON	OFF	ON	0 to 20 mA

Note: Do not make any settings other than the ones listed above.

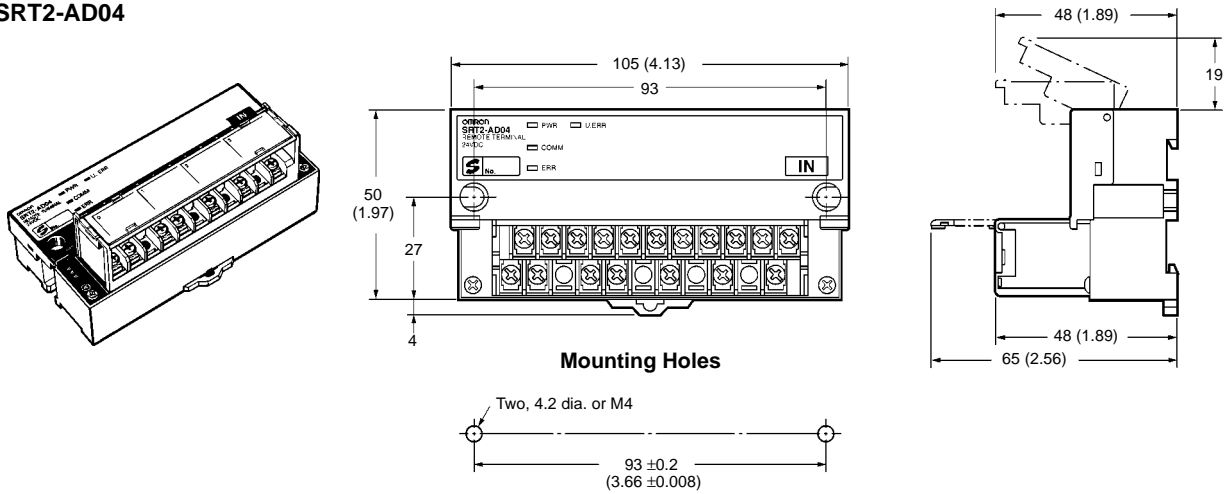
Pin 7	Mean value processing
OFF	Without mean value processing (default setting)
ON	With mean value processing (mean for 8 operations)

Pin 8	Be sure to turn OFF.
--------------	----------------------

Dimensions

Unit: mm (inch)

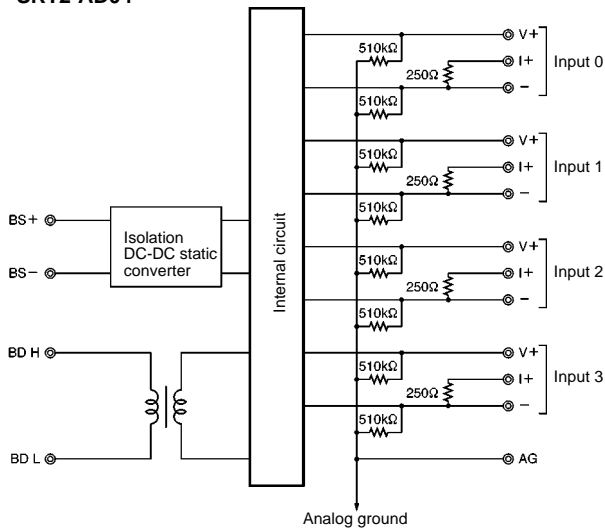
SRT2-AD04



Installation

INTERNAL CIRCUIT CONFIGURATION

SRT2-AD04



TERMINAL ARRANGEMENT

SRT2-AD04

BD	BS	AG	V0	I0	V1	I1	V2	I2	V3	I3
H	+		+	+	+	+	+	+	+	+
BD	BS	NC	AG	0-	NC	1-	NC	2-	NC	3-
L	-									

Note: When the input is current input, short-circuit the "V+" terminals and the "I+" terminals. When short-circuiting, use the short-circuiting tool provided as an accessory.

Precautions

Refer to the *CompoBus/S Operation Manual (W266)* before using the Unit.

MASTER UNIT COMPATIBILITY

Connections cannot be made to the following CompoBus/S Master Modules. If the following Master Modules are connected, incorrect data may be transferred.

- C200HW-SRM21 (-V1 and later versions supported)
- CQM1-SRM21 (-V1 and later versions supported)
- SRM1-C0□, SRM1-C0□-V1 (-V2 and later versions supported)
- C200PC-ISA□2-SRM
- 3G8B3-SRM0□
- SDD-CS1 (made by NKE Ltd.)

NOTE: DIMENSIONS SHOWN ARE IN MILLIMETERS. To convert millimeters to inches divide by 25.4.

OMRON®

OMRON ELECTRONICS, INC.

One East Commerce Drive
Schaumburg, IL 60173

1-800-55-OMRON

OMRON CANADA, INC.

885 Milner Avenue
Scarborough, Ontario M1B 5V8

416-286-6465

Mouser Electronics

Authorized Distributor

Click to View Pricing, Inventory, Delivery & Lifecycle Information:

[Omron:](#)

[SRT2-AD04](#)