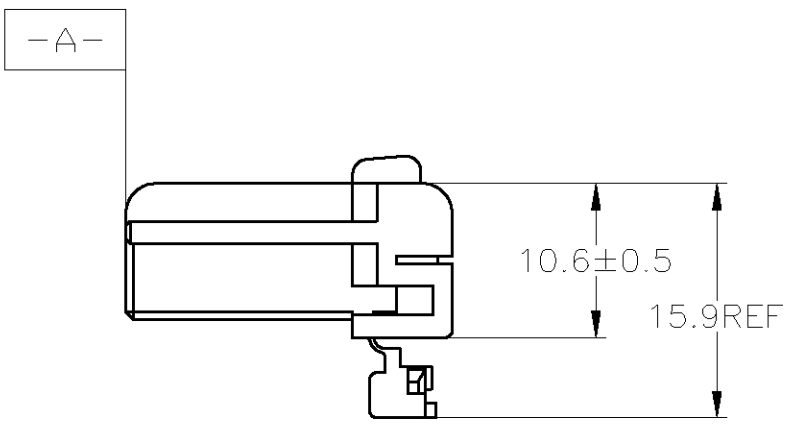
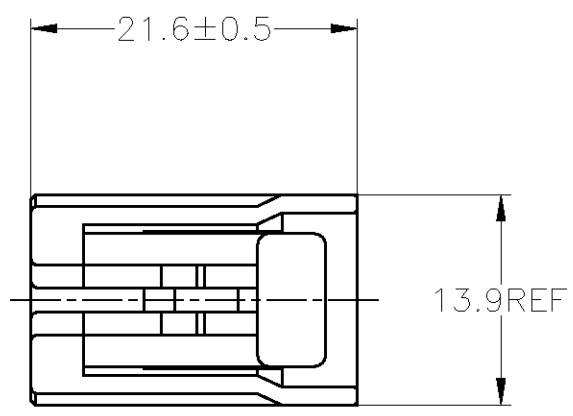
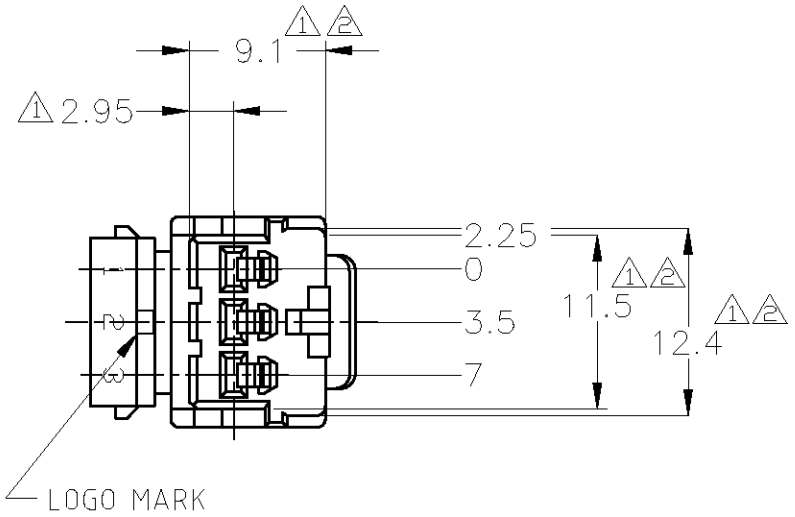


THIS DRAWING IS UNPUBLISHED. RELEASED FOR PUBLICATION  
 © COPYRIGHT BY TYCO ELECTRONICS CORPORATION. ALL RIGHTS RESERVED.

LOC	DIST	REVISIONS					
J	—	P	LTR	DESCRIPTION	DATE	DWN	APVD
			D1	REVISED	ECR-10-023453	15NOV10	TS KB



- ▲ -A- 面より2mmの範囲で測定
- ▲ 相手ハウジングと所定の機能を満足して嵌合できること
- 3. 内装するリセプタクルコンタクトは、型番173630及び173631
- ▲ TO BE MEASURED WITHIN 2mm FROM -A-
- ▲ TO BE MATE WITH CAP HOUSING SMOOTHLY
- 3. APPLICABLE RECEPTACLE CONTACT PART NUMBERS 173630, 173631

V-2	白 (WHITE)	1-174921-1
HB	黄 (YELLOW)	174921-7
	灰 (GRAY)	174921-6
	青 (BLUE)	174921-5
	緑 (GREEN)	174921-4
	黒 (BLACK)	174921-2
	白 (WHITE)	174921-1
使用材料難燃グレード (FLAMMABILITY OF MATERIAL)	色 (COLOR)	型番 (PART NUMBER)

THIS DRAWING IS A CONTROLLED DOCUMENT.

DWN S.FUJITA 15JUL08	Tyco Electronics Corporation Kawasaki, Japan
CHK T.SHINOHARA 15JUL08	
APVD K.BETSUI 15JUL08	
NAME 070 SERIES MULTILOCK CONNECTOR 製品規格 108-5216, 5264	
PRODUCT SPEC	070 SERIES MULTILOCK CONNECTOR 3POSITION PLUG HOUSING
APPLICATION SPEC	取付適用規格
WEIGHT 1.9g	SIZE A3 CAGE CODE 00779 DRAWING NO. C-174921
CUSTOMER DRAWING	
SCALE 2:1	SHEET 1 OF 1 REV D1

一般公差  
GENERAL TOLERANCE

0 < * < 10	±0.2
10 < * < 30	±0.25
30 < * < 100	±0.3
ANGLES	±3°

DIMENSIONS: 単位: 耗 mm	TOLERANCES UNLESS OTHERWISE SPECIFIED: 一般公差
0 PLC ± -	1 PLC ± -
2 PLC ± -	3 PLC ± -
4 PLC ± -	ANGLES ± -
MATERIAL 材料 PBT	FINISH 仕上 -