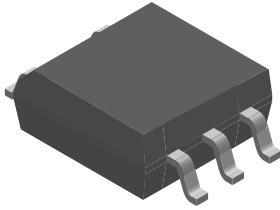
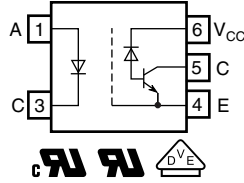


## Analog High Speed Coupler, High Noise Immunity, 1 MBd, SOP-5 Package



20409-1



### DESCRIPTION

The VOM452 and VOM453, high speed optocouplers, each consists of a GaAlAs infrared emitting diode, optically coupled with an integrated photo detector and a high speed transistor. The photo detector is junction isolated from the transistor to reduce miller capacitance effects. The open collector output function allows circuit designers to adjust the load conditions when interfacing with different logic systems such as TTL, CMOS, etc.

Because the VOM452 and VOM453 have a Faraday shield on the detector chip, it can also reject and minimize high input to output common mode transient voltages. There is no base connection, further reducing the potential electrical noise entering the package.

The VOM452 and VOM453 are packaged in industry standard SOP-5 packages and are suitable for surface mounting.

This an ideal solution for Industrial communication bus isolation, as well as isolated drive circuit applications such as IPM (intelligent power module) drivers.

### FEATURES

- Surface mountable
- Industry standard SOP-5 footprint
- Compatible with infrared vapor phase reflow and wave soldering processes
- Isolation test voltage, 3750 V<sub>RMS</sub>
- Very high common mode transient immunity: 15 000 V/μs at V<sub>CM</sub> = 1500 V guaranteed (VOM453)
- High speed: 1 MBd
- TTL compatible
- Open collector output
- Material categorization: for definitions of compliance please see [www.vishay.com/doc?99912](http://www.vishay.com/doc?99912)


**RoHS**  
COMPLIANT

### APPLICATIONS

- Fieldbus communication and control
- Logic ground isolation
- Analog signal ground isolation
- Replace pulse transformers
- IPM (intelligent power module) drivers

### AGENCY APPROVALS

- UL1577
- cUL
- DIN EN 60747-5-5 (VDE 0884-5) available with option 1

| ORDERING INFORMATION   |              |              |
|--|--------------|--------------|
| <div style="display: flex; justify-content: space-around; align-items: center;"> <div style="border: 1px solid black; padding: 2px 5px;">V</div> <div style="border: 1px solid black; padding: 2px 5px;">O</div> <div style="border: 1px solid black; padding: 2px 5px;">M</div> <div style="border: 1px solid black; padding: 2px 5px;">4</div> <div style="border: 1px solid black; padding: 2px 5px;">5</div> <div style="border: 1px solid black; padding: 2px 5px;">#</div> <div style="border: 1px solid black; padding: 2px 5px;">T</div> </div> <p style="text-align: center;">PART NUMBER</p> |              |              |
| AGENCY CERTIFIED/PACKAGE   | CMTI (kV/μs) |              |
| UL, cUL  | ≥ 1          | ≥ 15         |
| SOP-5  | VOM452T      | VOM453T      |
| UL, cUL, VDE   | ≥ 1          | ≥ 15         |
| SOP-5  | VOM452-X001T | VOM453-X001T |

### Notes

- For additional information on the available options refer to option information.
- The product is available only on tape and reel.



| ABSOLUTE MAXIMUM RATINGS ( $T_{amb} = 25\text{ }^{\circ}\text{C}$ , unless otherwise specified) |  |            |             |                    |
|---|--|------------|-------------|--------------------|
| PARAMETER   | TEST CONDITION                                 | SYMBOL     | VALUE       | UNIT               |
| <b>INPUT</b>  |  |            |             |                    |
| Reverse voltage   |  | $V_R$      | 3           | V                  |
| DC forward current  |  | $I_F$      | 25          | mA                 |
| Surge forward current   | $t_p \leq 1\text{ }\mu\text{s}$ , 300 pulses/s | $I_{FSM}$  | 1           | A                  |
| Power dissipation   | $T_{amb} \leq 70\text{ }^{\circ}\text{C}$      | $P_{diss}$ | 45          | mW                 |
| <b>OUTPUT</b>   |  |            |             |                    |
| Supply voltage  |  | $V_S$      | -0.5 to +30 | V                  |
| Output voltage  |  | $V_O$      | -0.5 to +25 | V                  |
| Output current  |  | $I_O$      | 8           | mA                 |
| Power dissipation   | $T_{amb} \leq 70\text{ }^{\circ}\text{C}$      | $P_{diss}$ | 100         | mW                 |
| <b>COUPLER</b>  |  |            |             |                    |
| Storage temperature range   |  | $T_{stg}$  | -55 to +125 | $^{\circ}\text{C}$ |
| Ambient temperature range   |  | $T_{amb}$  | -55 to +100 | $^{\circ}\text{C}$ |
| Junction temperature  |  | $T_j$      | 100         | $^{\circ}\text{C}$ |
| Soldering temperature   | $t < 10\text{ s max.}$                         |            | 260         | $^{\circ}\text{C}$ |

**Note**

- Stresses in excess of the absolute maximum ratings can cause permanent damage to the device. Functional operation of the device is not implied at these or any other conditions in excess of those given in the operational sections of this document. Exposure to absolute maximum ratings for extended periods of the time can adversely affect reliability.

| ELECTRICAL CHARACTERISTICS ( $T_{amb} = -40\text{ }^{\circ}\text{C}$ to $+100\text{ }^{\circ}\text{C}$ , unless otherwise specified) |   |      |                               |      |       |      |                        |
|--|---|------|-------------------------------|------|-------|------|------------------------|
| PARAMETER  | TEST CONDITION  | PART | SYMBOL                        | MIN. | TYP.  | MAX. | UNIT                   |
| <b>INPUT</b>   |   |      |                               |      |       |      |                        |
| Input forward voltage  | $I_F = 16\text{ mA}$  |      | $V_F$                         | -    | 1.4   | 1.8  | V                      |
| Input reverse current  | $V_R = 3\text{ V}$  |      | $I_R$                         | -    | 0.5   | 10   | $\mu\text{A}$          |
| Input capacitance  | $f = 1\text{ MHz}$ , $V_F = 0\text{ V}$ , $T_{amb} = 25\text{ }^{\circ}\text{C}$                              |      | $C_{IN}$                      | -    | 75    | -    | pF                     |
| Temperature coefficient of forward voltage   | $I_F = 16\text{ mA}$  |      | $\Delta V_F / \Delta T_{amb}$ | -    | -1.7  | -    | mV/ $^{\circ}\text{C}$ |
| <b>OUTPUT</b>  |   |      |                               |      |       |      |                        |
| Logic low supply current   | $I_F = 16\text{ mA}$ , $V_O = \text{open}$ , $V_{CC} = 15\text{ V}$   |      | $I_{CCL}$                     | -    | 200   | -    | $\mu\text{A}$          |
| Logic high supply current  | $I_F = 0\text{ mA}$ , $V_O = \text{open}$ , $V_{CC} = 15\text{ V}$ , $T_{amb} = 25\text{ }^{\circ}\text{C}$   |      | $I_{CCH}$                     | -    | 0.001 | 1    | $\mu\text{A}$          |
|  | $I_F = 0\text{ mA}$ , $V_O = \text{open}$ , $V_{CC} = 15\text{ V}$  |      | $I_{CCH}$                     | -    | -     | 2    | $\mu\text{A}$          |
| Logic low output voltage   | $I_F = 16\text{ mA}$ , $V_{CC} = 4.5\text{ V}$ , $I_O = 3\text{ mA}$ , $T_{amb} = 25\text{ }^{\circ}\text{C}$ |      | $V_{OL}$                      | -    | 0.15  | 0.4  | V                      |
|  | $I_F = 16\text{ mA}$ , $V_{CC} = 15\text{ V}$ , $I_O = 2.4\text{ mA}$   |      | $V_{OL}$                      | -    | -     | 0.5  | V                      |
| Logic high output current  | $I_F = 0\text{ mA}$ , $V_O = V_{CC} = 5.5\text{ V}$ , $T_{amb} = 25\text{ }^{\circ}\text{C}$                  |      | $I_{OH}$                      | -    | 0.003 | 0.5  | $\mu\text{A}$          |
|  | $I_F = 0\text{ mA}$ , $V_O = V_{CC} = 15\text{ V}$ , $T_{amb} = 25\text{ }^{\circ}\text{C}$                   |      | $I_{OH}$                      | -    | 0.01  | 1    | $\mu\text{A}$          |
|  | $I_F = 0\text{ mA}$ , $V_O = V_{CC} = 15\text{ V}$  |      | $I_{OH}$                      | -    | -     | 50   | $\mu\text{A}$          |
| <b>COUPLER</b>   |   |      |                               |      |       |      |                        |
| Capacitance (input-output) <sup>(1)</sup>  | $f = 1\text{ MHz}$ , $T_{amb} = 25\text{ }^{\circ}\text{C}$   |      | $C_{IO}$                      | -    | 0.4   | -    | pF                     |

**Notes**

- Minimum and maximum values are testing requirements. Typical values are characteristics of the device and are the result of engineering evaluation. Typical values are for information only and are not part of the testing requirements. All typical values are measured at  $T_{amb} = 25\text{ }^{\circ}\text{C}$ .
- A 0.1  $\mu\text{F}$  bypass capacitor connected between pins 4 and 6 is recommended.

| CURRENT TRANSFER RATIO ( $T_{amb} = -40\text{ }^{\circ}\text{C}$ to $+100\text{ }^{\circ}\text{C}$ , unless otherwise specified) |  |        |      |      |      |      |
|--|--|--------|------|------|------|------|
| PARAMETER  | TEST CONDITION   | SYMBOL | MIN. | TYP. | MAX. | UNIT |
| Current transfer ratio <sup>(1)(2)</sup>   | $V_O = 0.5\text{ V}$ , $I_F = 16\text{ mA}$ , $V_{CC} = 4.5\text{ V}$                | CTR    | 15   | 30   | -    | %    |
|  | $V_O = 0.4\text{ V}$ , $I_F = 16\text{ mA}$ , $T_{amb} = 25\text{ }^{\circ}\text{C}$ |        | 20   | -    | 50   |      |

**Notes**

- Current transfer ratio in percent equals the ratio of output collector current ( $I_O$ ) to the forward LED input current ( $I_F$ ) times 100.
- A 0.1  $\mu\text{F}$  bypass capacitor connected between pins 4 and 6 is recommended. All typical values are measured at  $T_{amb} = 25\text{ }^{\circ}\text{C}$ .

| <b>SWITCHING CHARACTERISTICS</b> ( $T_{amb} = -40\text{ }^{\circ}\text{C}$ to $+100\text{ }^{\circ}\text{C}$ , unless otherwise specified) |   |           |      |      |      |               |
|--|---|-----------|------|------|------|---------------|
| PARAMETER  | TEST CONDITION  | SYMBOL    | MIN. | TYP. | MAX. | UNIT          |
| Propagation delay time to logic low at output (see fig. 1 and note 1)  | $V_{CC} = 5\text{ V}$ , $I_F = 16\text{ mA}$ , $R_L = 1.9\text{ k}\Omega$ | $t_{PHL}$ | -    | 0.2  | 1    | $\mu\text{s}$ |
| Propagation delay time to logic high at output (see fig. 1 and note 1)   | $V_{CC} = 5\text{ V}$ , $I_F = 16\text{ mA}$ , $R_L = 1.9\text{ k}\Omega$ | $t_{PLH}$ | -    | 0.5  | 1    | $\mu\text{s}$ |

**Note**

(1) The 1.9 k $\Omega$  load represents 1 TTL unit load of 1.6 mA and the 5.6 k $\Omega$  pull-up resistor. All typical values are measured at  $T_{amb} = 25\text{ }^{\circ}\text{C}$ .

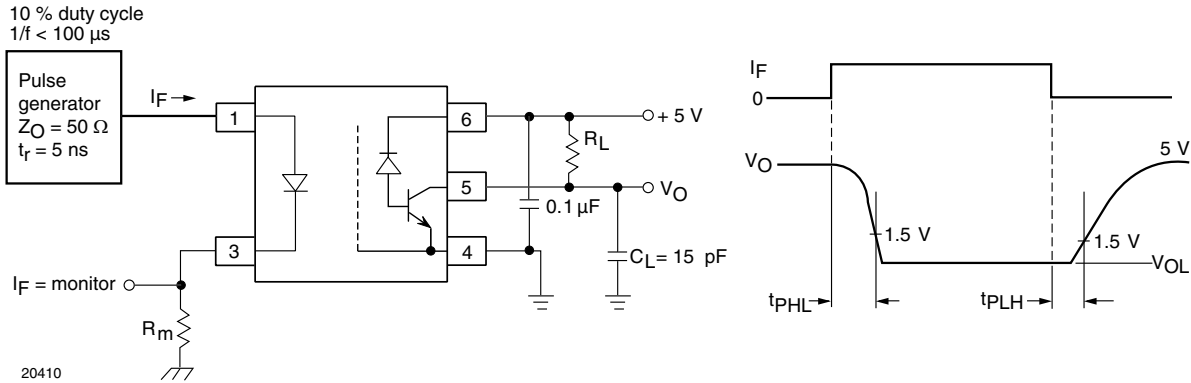


Fig. 1 - Test Circuit for Switching Times

| <b>COMMON MODE TRANSIENT IMMUNITY</b> ( $T_{amb} = 25\text{ }^{\circ}\text{C}$ , unless otherwise specified) |  |         |          |        |      |      |                        |
|--|--|---------|----------|--------|------|------|------------------------|
| PARAMETER  | TEST CONDITION   | PART    | SYMBOL   | MIN.   | TYP. | MAX. | UNIT                   |
| Common mode transient immunity at logic high level output (see fig. 2 and notes 1, and 2)                    | $R_L = 1.9\text{ k}\Omega$ , $I_F = 0\text{ mA}$ , $V_{CM} = 10\text{ V}_{P-P}$    | VOM452T | $ CM_H $ | 1000   | -    | -    | $\text{V}/\mu\text{s}$ |
|  | $R_L = 1.9\text{ k}\Omega$ , $I_F = 0\text{ mA}$ , $V_{CM} = 1500\text{ V}_{P-P}$  | VOM453T | $ CM_H $ | 15 000 | -    | -    | $\text{V}/\mu\text{s}$ |
| Common mode transient immunity at logic low level output (see fig. 2 and notes 1, and 2)                     | $R_L = 1.9\text{ k}\Omega$ , $I_F = 16\text{ mA}$ , $V_{CM} = 10\text{ V}_{P-P}$   | VOM452T | $ CM_L $ | 1000   | -    | -    | $\text{V}/\mu\text{s}$ |
|  | $R_L = 1.9\text{ k}\Omega$ , $I_F = 16\text{ mA}$ , $V_{CM} = 1500\text{ V}_{P-P}$ | VOM453T | $ CM_L $ | 15 000 | -    | -    | $\text{V}/\mu\text{s}$ |

**Notes**

- (1) Common mode transient immunity in a logic high level is the maximum tolerable (positive)  $dV_{CM}/dt$  on the leading edge of the common mode pulse ( $V_{CM}$ ) to assure that the output will remain in a logic high state (i.e.,  $V_O > 2\text{ V}$ ). Common mode transient immunity in a logic low level is the maximum tolerable (negative)  $dV_{CM}/dt$  on the trailing edge of the common mode pulse signal ( $V_{CM}$ ) to assure that the output will remain in logic low state, i.e.,  $V_O > 0.8\text{ V}$ .
- (2) The 1.9 k $\Omega$  load represents 1 TTL unit load of 1.6 mA and the 5.6 k $\Omega$  pull-up resistor.

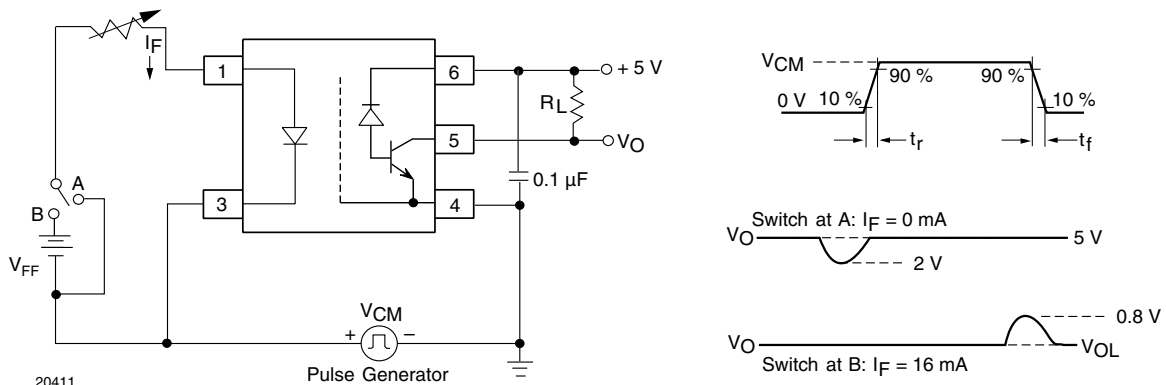


Fig. 2 - Test Circuit for Transient Immunity and Typical Waveforms

| <b>SAFETY AND INSULATION RATINGS</b> ( $T_{amb} = 25\text{ }^{\circ}\text{C}$ , unless otherwise specified) |  |            |                |                    |
|---|--|------------|----------------|--------------------|
| PARAMETER   | TEST CONDITION   | SYMBOL     | VALUE          | UNIT               |
| Climatic classification   | According to IEC 68 part 1   |            | 55 / 100 / 21  |                    |
| Pollution degree  | According to DIN VDE 0109  |            | 2              |                    |
| Comparative tracking index  | Insulation group IIIa  | CTI        | 175            |                    |
| Maximum rated withstanding isolation voltage  | According to UL1577, $t = 1\text{ min}$  | $V_{ISO}$  | 3750           | $V_{RMS}$          |
| Maximum transient isolation voltage   | According to DIN EN 60747-5-5  | $V_{IOTM}$ | 6000           | $V_{peak}$         |
| Maximum repetitive peak isolation voltage   | According to DIN EN 60747-5-5  | $V_{IORM}$ | 707            | $V_{peak}$         |
| Isolation resistance  | $T_{amb} = 25\text{ }^{\circ}\text{C}$ , $V_{IO} = 500\text{ V}$   | $R_{IO}$   | $\geq 10^{12}$ | $\Omega$           |
|   | $T_{amb} = 100\text{ }^{\circ}\text{C}$ , $V_{IO} = 500\text{ V}$  | $R_{IO}$   | $\geq 10^{11}$ | $\Omega$           |
| Output safety power   |  | $P_{SO}$   | 350            | mW                 |
| Input safety current  |  | $I_{SI}$   | 150            | mA                 |
| Input safety temperature  |  | $T_S$      | 175            | $^{\circ}\text{C}$ |
| Creepage distance   |  |            | $\geq 5$       | mm                 |
| Clearance distance  |  |            | $\geq 5$       | mm                 |
| Insulation thickness  |  | DTI        | $\geq 0.1$     | mm                 |
| Input to output test voltage, method B  | $V_{IORM} \times 1.875 = V_{PR}$ , 100 % production test with $t_M = 1\text{ s}$ , partial discharge $< 5\text{ pC}$ | $V_{PR}$   | 1669           | $V_{peak}$         |

**Note**

- As per IEC 60747-5-5, § 7.4.3.8.2, this optocoupler is suitable for “safe electrical insulation” only within the safety ratings. Compliance with the safety ratings shall be ensured by means of protective circuits.

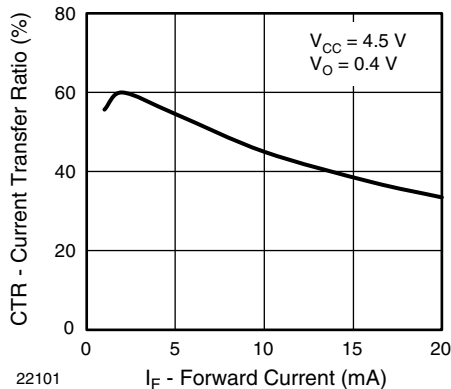
**TYPICAL CHARACTERISTICS** ( $T_{amb} = 25\text{ }^{\circ}\text{C}$ , unless otherwise specified)


Fig. 3 - Current Transfer Ratio vs. Forward Current

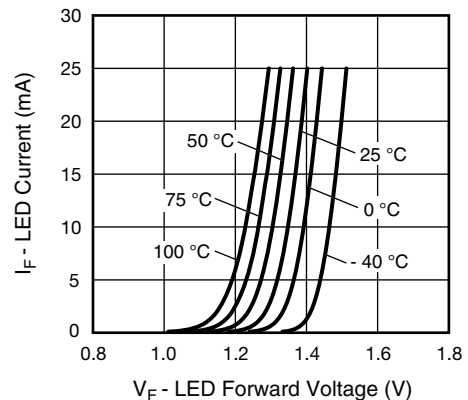


Fig. 4 - LED Current vs. LED Forward Voltage

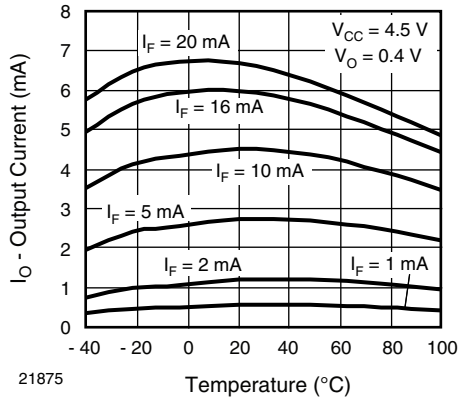


Fig. 5 - Output Current vs. Temperature

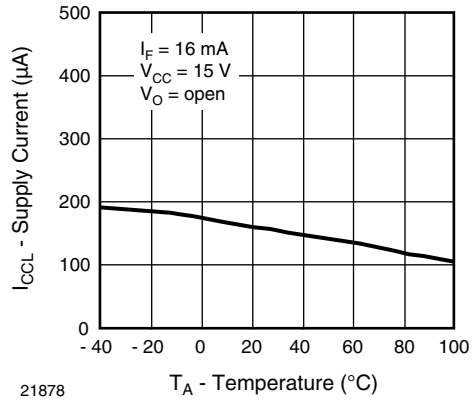


Fig. 8 - Supply Current vs. Temperature

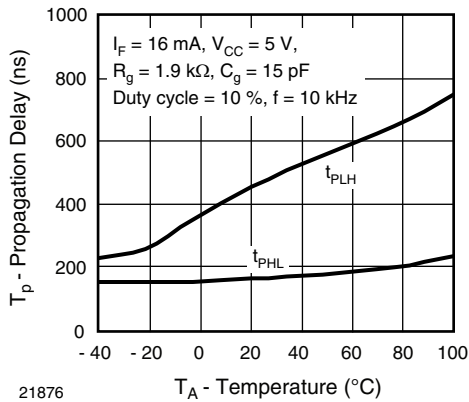


Fig. 6 - Propagation Delay vs. Temperature

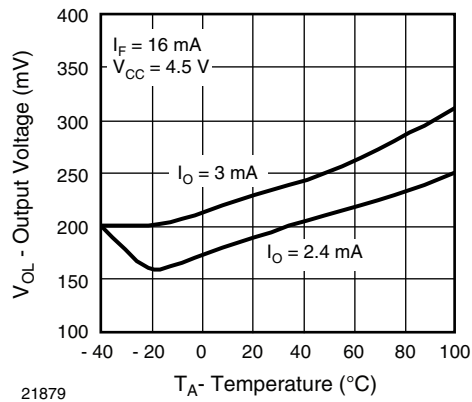


Fig. 9 - Logic Low Output Voltage vs. Temperature

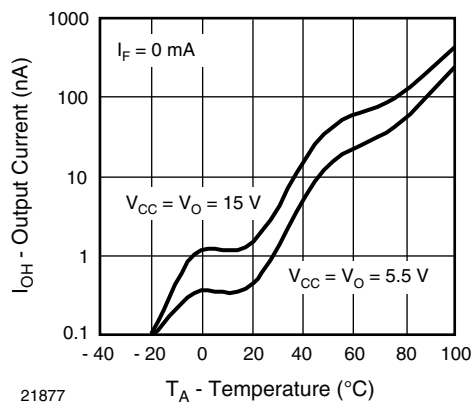


Fig. 7 - Logic High Output Current vs. Temperature





**PACKING INFORMATION** (tape and reel)

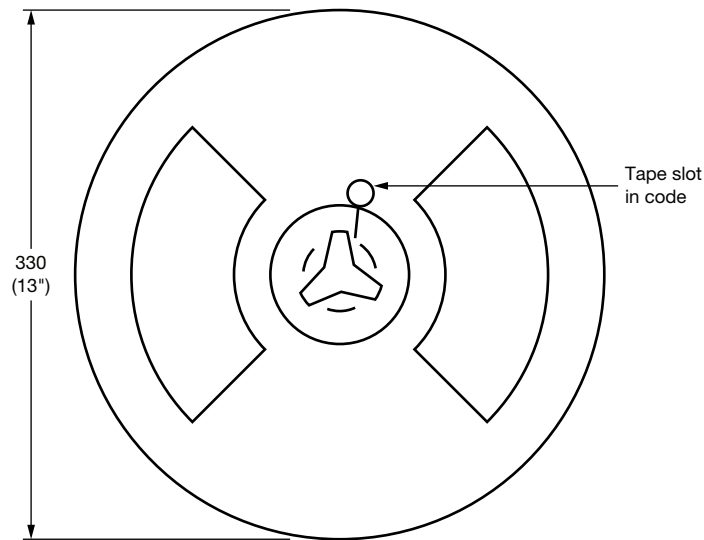


Fig. 12 - Tape and Reel Shipping Medium

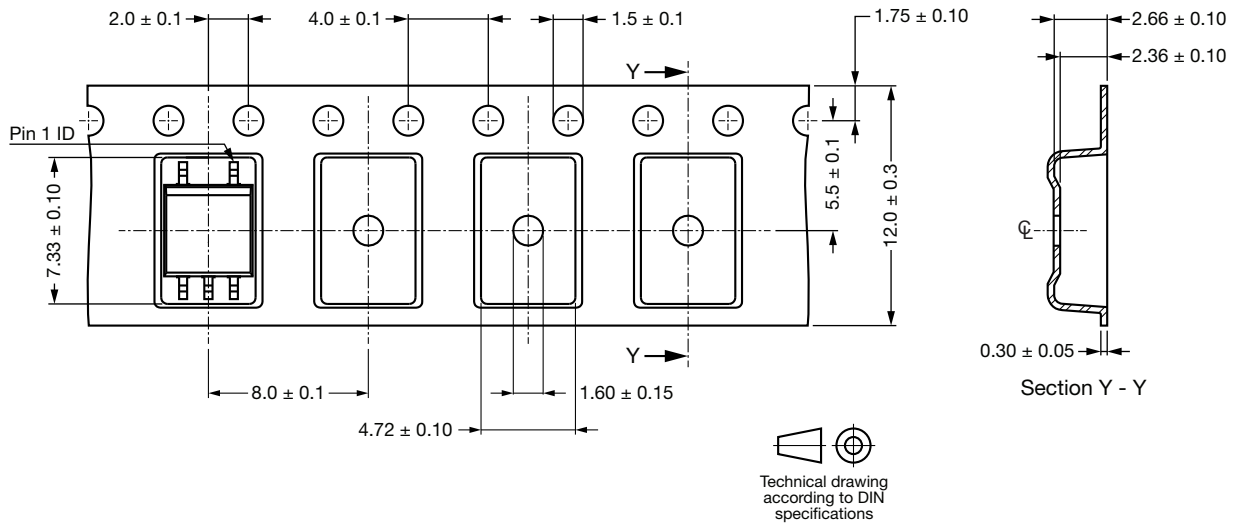
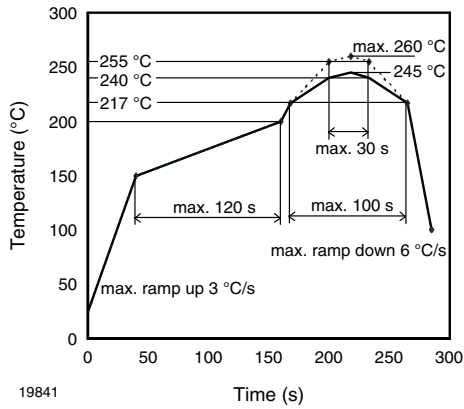


Fig. 13 - Tape and Reel Packing (2000 pieces on reel)

**SOLDER PROFILE**



19841

Fig. 14 - Lead (Pb)-free Reflow Solder Profile  
According to J-STD-020

**HANDLING AND STORAGE CONDITIONS**

ESD level: HBM class 2

Floor life: unlimited

Conditions:  $T_{amb} < 30\text{ °C}$ , RH < 85 %

Moisture sensitivity level 1, according to J-STD-020





## **Disclaimer**

ALL PRODUCT, PRODUCT SPECIFICATIONS AND DATA ARE SUBJECT TO CHANGE WITHOUT NOTICE TO IMPROVE RELIABILITY, FUNCTION OR DESIGN OR OTHERWISE.

Vishay Intertechnology, Inc., its affiliates, agents, and employees, and all persons acting on its or their behalf (collectively, "Vishay"), disclaim any and all liability for any errors, inaccuracies or incompleteness contained in any datasheet or in any other disclosure relating to any product.

Vishay makes no warranty, representation or guarantee regarding the suitability of the products for any particular purpose or the continuing production of any product. To the maximum extent permitted by applicable law, Vishay disclaims (i) any and all liability arising out of the application or use of any product, (ii) any and all liability, including without limitation special, consequential or incidental damages, and (iii) any and all implied warranties, including warranties of fitness for particular purpose, non-infringement and merchantability.

Statements regarding the suitability of products for certain types of applications are based on Vishay's knowledge of typical requirements that are often placed on Vishay products in generic applications. Such statements are not binding statements about the suitability of products for a particular application. It is the customer's responsibility to validate that a particular product with the properties described in the product specification is suitable for use in a particular application. Parameters provided in datasheets and / or specifications may vary in different applications and performance may vary over time. All operating parameters, including typical parameters, must be validated for each customer application by the customer's technical experts. Product specifications do not expand or otherwise modify Vishay's terms and conditions of purchase, including but not limited to the warranty expressed therein.

Except as expressly indicated in writing, Vishay products are not designed for use in medical, life-saving, or life-sustaining applications or for any other application in which the failure of the Vishay product could result in personal injury or death. Customers using or selling Vishay products not expressly indicated for use in such applications do so at their own risk. Please contact authorized Vishay personnel to obtain written terms and conditions regarding products designed for such applications.

No license, express or implied, by estoppel or otherwise, to any intellectual property rights is granted by this document or by any conduct of Vishay. Product names and markings noted herein may be trademarks of their respective owners.

# Mouser Electronics

Authorized Distributor

Click to View Pricing, Inventory, Delivery & Lifecycle Information:

[Vishay:](#)

[VOM452T](#) [VOM453T](#)