

# Customer Information Sheet

DRAWING No.: M20-876XXXX

SHEET 2 OF 2

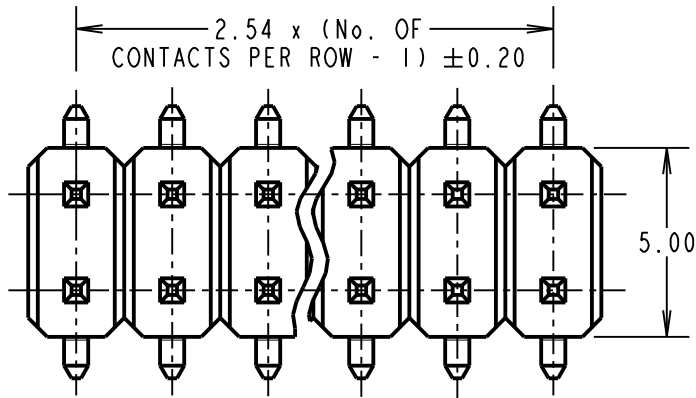
IF IN DOUBT - ASK

©

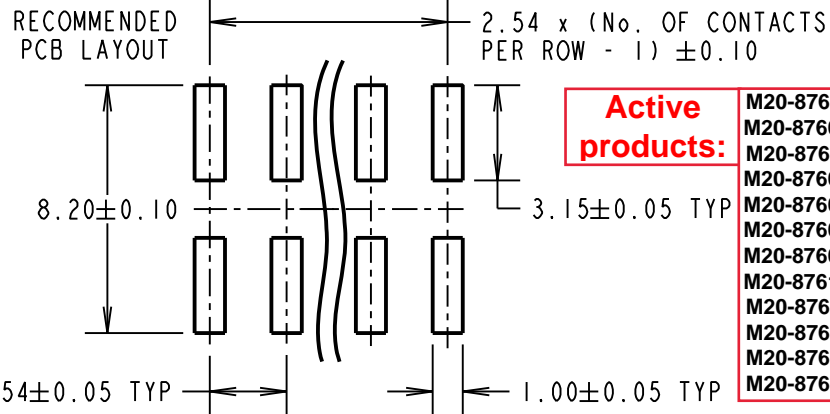
NOT TO SCALE

THIRD ANGLE PROJECTION

ALL DIMENSIONS IN mm



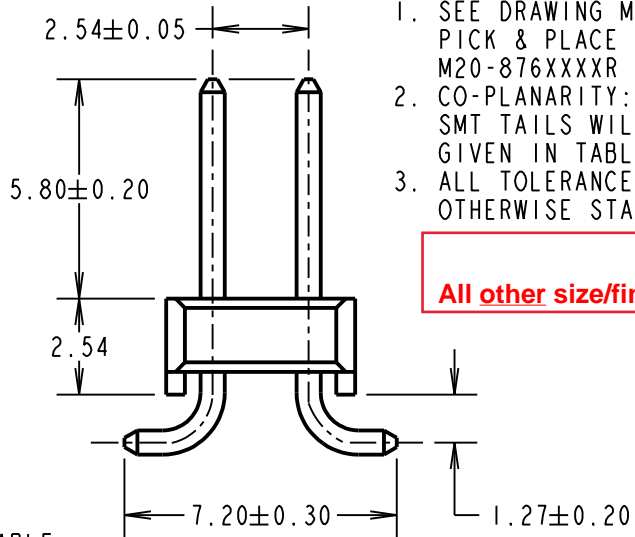
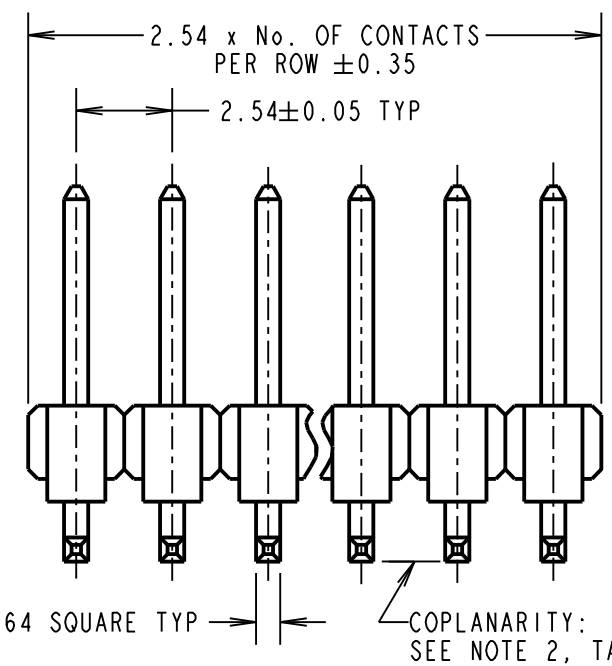
RECOMMENDED PCB LAYOUT



**Active products:**

- M20-8760242
- M20-87603XX
- M20-8760442
- M20-87605XX
- M20-87606XX
- M20-87607XX
- M20-87608XX
- M20-87610XX
- M20-8761242
- M20-8761346
- M20-8761842
- M20-8762042

**SPECIFICATION:**  
**MATERIAL:**  
 MOULDING = PA6T UL94V-0, BLACK  
 CONTACT = BRASS  
**FINISH (OVER NICKEL):**  
 42 = SELECTIVE GOLD ON CONTACT AREA, 100% TIN ON TAILS  
 46 = 100% TIN  
**ELECTRICAL:**  
 CURRENT RATING = 3A MAX  
 CONTACT RESISTANCE = 20mΩ MAX  
 INSULATION RESISTANCE = 500MΩ MIN  
 DIELECTRIC STRENGTH = 1000V AC  
 VOLTAGE RATING = 250V AC/DC  
**MECHANICAL:**  
 DURABILITY = 50 OPERATIONS (TIN), 300 OPERATIONS (GOLD)  
**ENVIRONMENTAL:**  
 TEMPERATURE RANGE = -40°C TO +105°C  
**SOLDERING:**  
 REFLOW TEMP = 260°C FOR 10 SECONDS MAX  
 MANUAL TEMP = 330°C FOR 3-5 SECONDS  
**PACKING:**  
 BAG  
 FOR COMPLETE SPECIFICATION, SEE COMPONENT SPECIFICATION COOIXX (LATEST ISSUE)



- NOTES:**
1. SEE DRAWING M20-876XXXXP FOR PICK & PLACE IN TUBES, M20-876XXXXR FOR TAPE AND REELED.
  2. CO-PLANARITY: FLATNESS OF SMT TAILS WILL NOT EXCEED VALUES GIVEN IN TABLE.
  3. ALL TOLERANCES ARE ±0.15 UNLESS OTHERWISE STATED.

No. OF CONTACTS PER ROW	COPLANARITY TOLERANCE
02 TO 12	0.10mm MAX
13 TO 20	0.15mm MAX
25, 36	0.20mm MAX

**OBSOLETE**  
 All other size/finish combinations not listed above

**ORDER CODE:**  
**M20-876XXXX**  
 No. OF CONTACTS PER ROW:  
 02 TO 20, 25, 36  
**FINISH:**  
 42 = SELECTIVE GOLD + 100% TIN  
 46 = 100% TIN

WJP	22	01.08.17	20398
NAME	ISS.	DATE	C/NOTE
APPROVED: W. J. PRESTON			
CHECKED: S. BENNETT			
DRAWN: P. D. COLLINS			
CUSTOMER REF.:			
ASSEMBLY DRG:			



www.harwin.com  
 technical@harwin.com

THIS DRAWING AND ANY INFORMATION OR DESCRIPTIVE MATTER SET OUT HEREON ARE CONFIDENTIAL AND COPYRIGHT PROPERTY OF THE HARWIN GROUP AND MUST NOT BE DISCLOSED, LOANED, COPIED OR USED FOR MANUFACTURING, TENDERING OR FOR ANY OTHER PURPOSE WITHOUT THEIR WRITTEN PERMISSION.

**TOLERANCES**  
~~X. = ±1mm~~  
~~X.X = ±0.50mm~~  
~~X.XX = ±0.10mm~~  
~~X.XXX = ±0.01mm~~  
 ANGLES = ±5°  
 UNLESS STATED

**MATERIAL:**  
 SEE ABOVE  
**FINISH:**  
 SEE ABOVE  
**S/AREA:**  
 mm<sup>2</sup>

**TITLE:**  
 2.54mm PITCH DIL  
 SMT PIN HEADER ASSEMBLY  
**DRAWING NUMBER:**  
**M20-876XXXX**  
 SHT 2 OF 2

# Mouser Electronics

Authorized Distributor

Click to View Pricing, Inventory, Delivery & Lifecycle Information:

## Harwin:

[M20-8761742](#) [M20-8761746](#) [M20-8762542](#) [M20-8762546](#) [M20-8761346](#) [M20-8761342](#) [M20-8761146](#) [M20-8761142](#) [M20-8761946](#) [M20-8761942](#) [M20-8761546](#) [M20-8761542](#) [M20-8761446](#) [M20-8761442](#) [M20-8761046](#) [M20-8761042](#) [M20-8761846](#) [M20-8761842](#) [M20-8761642](#) [M20-8761646](#) [M20-8762046](#) [M20-8762042](#) [M20-8761246](#) [M20-8761242](#) [M20-8763646](#) [M20-8763642](#) [M20-8760546](#) [M20-8760542](#) [M20-8760946](#) [M20-8760942](#) [M20-8760746](#) [M20-8760742](#) [M20-8760342](#) [M20-8760346](#) [M20-8760242](#) [M20-8760246](#) [M20-8760646](#) [M20-8760642](#) [M20-8760446](#) [M20-8760442](#) [M20-8760846](#) [M20-8760842](#)