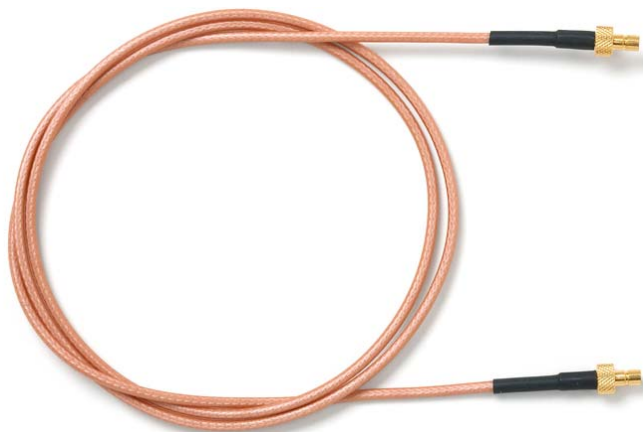


Model 73072

SMB Jack to SMB Jack, RG316/U (50 Ohm), RG179B/U (75 Ohm)



Model 73072-BB
SMB Jack to SMB Jack, RG316/U, 50 Ohm



Model 73072-VV
SMB Jack to SMB Jack, RG179B/U, 75 Ohm

Snap-on coupling and small size for fast connect and disconnect

Features

- Small size and durability for confident connections.
- Connectors are precision machined and gold-plated for low loss.
- Perfect for applications where space, weight, performance and ease of connections are required.

Materials

SMB Male Connectors (50 Ohm):

Center Contact: Phosphor Bronze, Gold Plated
Connector Body: Brass, Gold Plated
Crimp Ferrule: Copper, Nickel Plated
Insulators: PTFE

SMB Male Connectors (75 Ohm):

Center Contact: Brass, Gold Plated
Connector Body: Brass, Gold Plated
Crimp Ferrule: Copper, Nickel Plated
Insulators: Silicone Rubber

Specifications

Cable Type	RG316/U	RG179B/U
Impedance	50Ω	75Ω
Frequency Range	DC - 3GHz	DC - 2GHz
Capacitance per 1ft (0.305m)	29.0 pF	19.5 pF
Insulation Resistance	≥ 1000 MΩ	≥ 10,000 MΩ
Insulator Withstand	750V	750V
Temperature Range	-65° C to +165°C (-85°F to +329°F)	-65° C to +165°C (-85°F to +329°F)
Jacket	FEP	FEP
Cable O.D. (inches)	0.098" (2.5mm))	0.100" (2.54mm)
Center Conductor (mm)	7 x .18 silver coated copper covered steel	7 x .1 silver coated copper covered steel

USA: Sales: 800-490-2361
Technical Support: technicalsupport@pomonatest.com
Fax: 425-446-5844

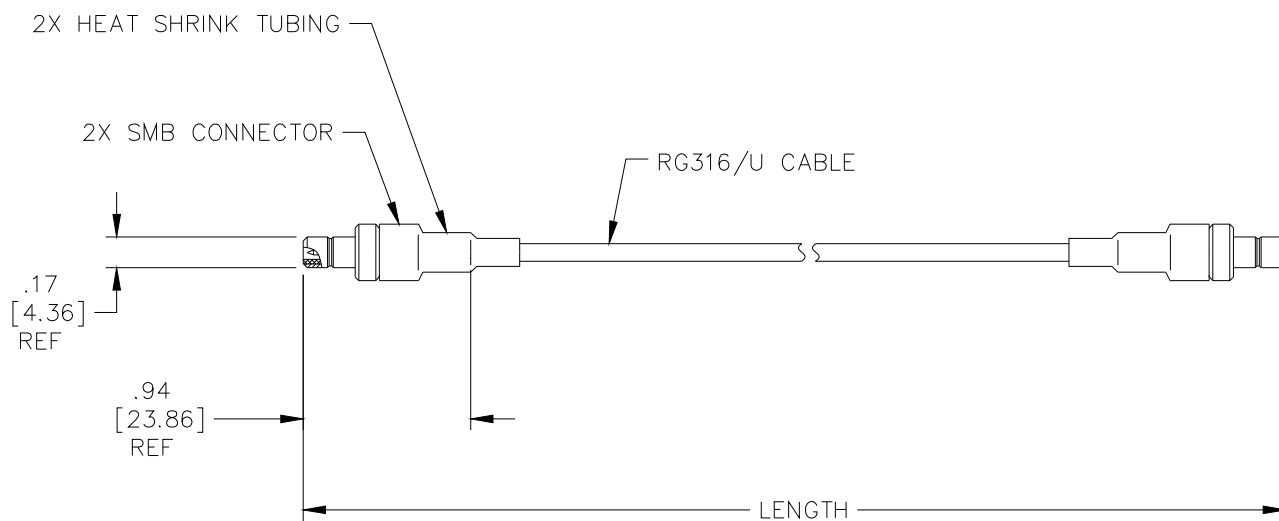
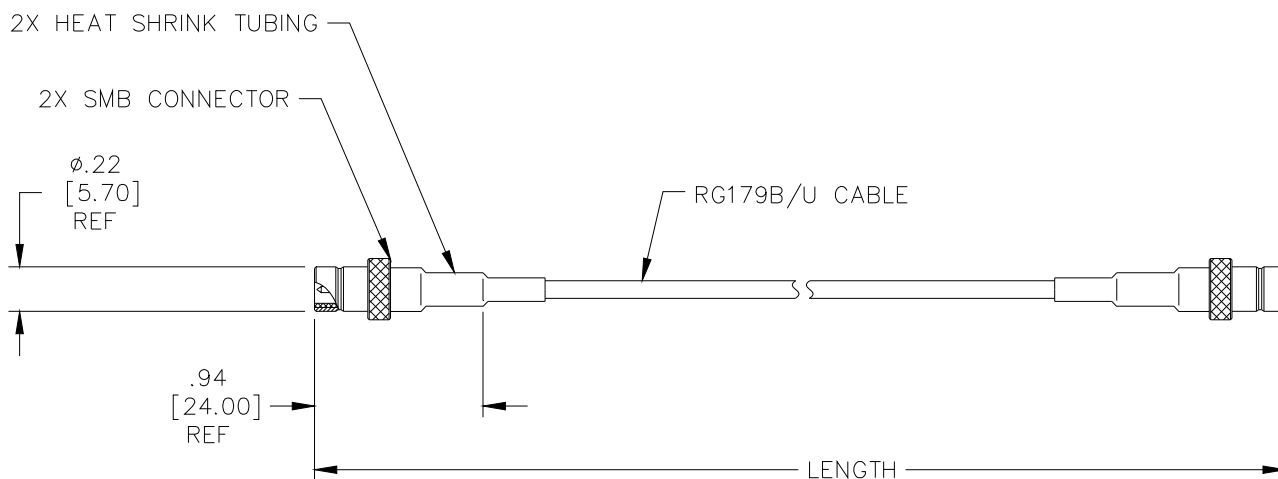
Europe: 31-(0) 40 2675 150 International: 425-446-5500

Where to Buy: www.pomonaelectronics.com

All dimensions are in inches. Tolerances (except noted): .xx = ±.02" (.51 mm), .xxx = ± .005" (.127 mm). All specifications are to the latest revisions. Specifications are subject to change without notice. Registered trademarks are the property of their respective companies.

Model 73072

SMB Jack to SMB Jack, RG316/U (50 Ohm), RG179B/U (75 Ohm)



Ordering Information

Model: **73072**

Cable Designators: **BB** = RG316/U, **VV** = RG179B/U

Standard Lengths: **6", 12", 24", 36", 48", 60"**

- 6" ± .118" (152mm ± 3mm) (73072-BB only)
- 12" ± .157" (305mm ± 4mm)
- 24" ± .275" (610mm ± 7mm)
- 36" ± .394" (914mm ± 10mm)
- 48" ± .512" (1219mm ± 13mm)
- 60" ± .630" (1524mm ± 16mm) (73072-VV only)

Ordering Example: **73072-VV-48**, Cable is RG179B/U with length of 48" (1219mm)

USA: Sales: 800-490-2361
 Technical Support: technicalsupport@pomonatest.com
 Fax: 425-446-5844

Europe: 31-(0) 40 2675 150 **International:** 425-446-5500

Where to Buy: www.pomonaelectronics.com

All dimensions are in inches. Tolerances (except noted): .xx = ±.02" (.51 mm), .xxx = ± .005" (.127 mm). All specifications are to the latest revisions. Specifications are subject to change without notice. Registered trademarks are the property of their respective companies.

Mouser Electronics

Authorized Distributor

Click to View Pricing, Inventory, Delivery & Lifecycle Information:

Pomona:

[73072-VV-48](#) [73072-VV-60](#) [73072-BB-6](#) [73072-VV-24](#) [73072-VV-36](#) [73072-BB-36](#) [73072-BB-24](#) [73072-VV-12](#)
[73072-BB-12](#) [73072-BB-48](#)