

38999  
III  
HD  
Dualok  
II  
I  
SJT  
Accessories  
Aquacon  
Herm/Seal  
PCB

HIGH SPEED  
Fiber Optics  
Contacts Connectors Cables

EMI Filter Transient

26482 Matrix 2

83723 III Matrix | Pyle

26500 Pyle

5015 Crimp Rear Release Matrix

22992 Class I

Back-Shells

Options Others

**MS/STANDARD CRIMP REAR RELEASE CONTACTS**

| Contact Size | Wire Range |                 | Socket Contacts      |                             | Pin Contacts         |                             |
|--------------|------------|-----------------|----------------------|-----------------------------|----------------------|-----------------------------|
|              | AWG        | mm <sup>2</sup> | Military Part Number | Amphenol/Matrix Part Number | Military Part Number | Amphenol/Matrix Part Number |
| 16S*         | 20-16      | 0.5-1.4         | M39029/30-217        | M5100-033-1601L             | M39029/29-212        | M5000-029-0016L             |
| 16           | 20-16      | 0.5-1.4         | M39029/30-218        | M5100-033-1602L             | M39029/29-212        | M5000-029-0016L             |
| 12           | 14-12      | 2-3             | M39029/30-219        | M5100-033-0012              | M39029/29-213        | M5000-029-0012              |
| 8            | 10-8†      | 5-8.5           | M39029/30-220        | M5100-033-0008              | M39029/29-214        | M5000-029-0008              |
| 4            | 6-4†       | 13-21           | M39029/30-221        | M5100-033-0004              | M39029/29-215        | M5000-029-0004              |
| 0            | 2-0†       | 34-60           | M39029/30-222        | M5100-033-0000              | M39029/29-216        | M5000-029-0000              |

\* Shorter wire barrel  
† Use MS3348 bushing kit to accommodate smaller wire.  
Note: For information on thermocouple contacts, consult Amphenol Aerospace

**CONTACT CURRENT RATING AND RETENTION**

| Contact Size** | Current Rating |                         | Contact Retention |       |
|----------------|----------------|-------------------------|-------------------|-------|
|                | Amperes Max.   | Voltage Drop Millivolts | Axial Load        |       |
|                |                |                         | lb.               | N     |
| 16             | 13             | 50                      | 25                | 111.2 |
| 12             | 23             | 50                      | 30                | 133.4 |
| 8              | 46             | 25                      | 50                | 222.4 |
| 4              | 80             | 14                      | 60                | 266.9 |
| 0              | 150            | 12                      | 75                | 333.6 |

\*\* Organize individual circuits to maintain heat rise within operating temperature requirements.

**SEALING PLUGS**

| Contact Size | Sealing Plugs        |                             |
|--------------|----------------------|-----------------------------|
|              | Military Part Number | Amphenol/Matrix Part Number |
| 16S          | MS27488-16-3         | 10-405996-163               |
| 16           | MS27488-16-3         | 10-405996-163               |
| 12           | MS27488-12-3         | 10-405996-123               |
| 8            | MS27488-8-3          | 10-405996-083               |
| 4            | MS27488-4-3          | 10-405996-043               |
| 0            | MS27488-0-3          | 10-405996-003               |

**CRIMPING TOOLS**

| Contact Size | Wire Range |                 | Finished Wire Dia. Range |            | Color Code  | Crimping Tool Part Number | Turret or Positioner Part Number |
|--------------|------------|-----------------|--------------------------|------------|-------------|---------------------------|----------------------------------|
|              | AWG        | mm <sup>2</sup> | Inch                     | mm         |             |                           |                                  |
| 16S          | 20-16      | 0.5-1.4         | .053-.103                | 1.34-2.62  | Red/White   | M22520/1-01               | M22520/1-02                      |
| 16           | 20-16      | 0.5-1.4         | .053-.103                | 1.34-2.62  | Blue/White  | M22520/1-01               | M22520/1-02                      |
| 12           | 14-12      | 2-3             | .085-.158                | 2.15-4.01  | Yell./White | M22520/1-01               | M22520/1-02                      |
| 8            | 10-8       | 5-8.5           | .132-.255                | 3.35-6.48  | White/Red   | M22520/23-01              | M22520/23-02                     |
| 4            | 6-4        | 13-21           | .237-.370                | 6.01-9.40  | White/Blue  | M22520/23-01              | M22520/23-04                     |
| 0            | 2-0        | 34-60           | .360-.550                | 9.14-13.97 | White/Yell. | M22520/23-01              | M22520/23-05                     |

**INSERTION/REMOVAL TOOLS**

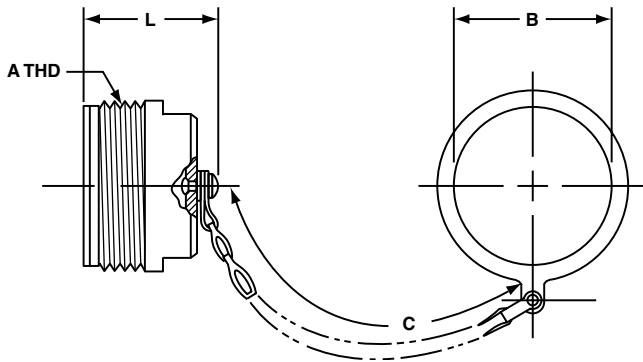
| Contact Size | Color Code   | Military Part Number | Amphenol/Matrix Part Number |
|--------------|--------------|----------------------|-----------------------------|
| 16           | Blue/White   | M81969/14-03         | 10-538988-016               |
| 12           | Yellow/White | M81969/14-04         | 10-538988-012               |
| 8            | Red          | M81969/14-06         | 6500-018-0008               |
| 4            | Blue         | M81969/14-07         | 6500-018-0004               |
| 0            | Yellow       | M81969/14-08         | 6500-018-0000               |

Amphenol installation instructions, L-2106, gives information on insertion, removal and crimping of contacts for Matrix MIL-DTL-5015 connectors.

**BACKSHELLS**

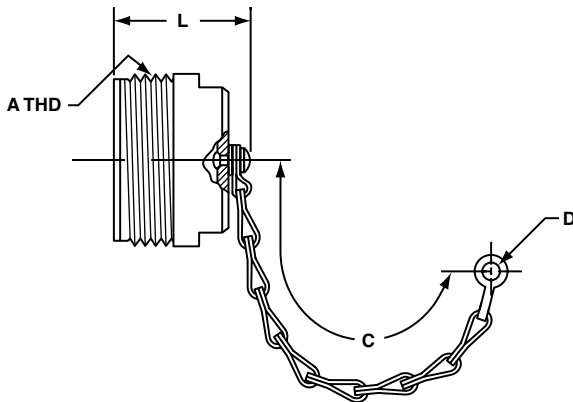
The section of this catalog called "Backshells" covers the backshells for MIL-DTL-5015 that are provided through Amphenol PCD. Please refer to this section for:  
• Backshells for Connector Family "J", which includes MIL-DTL-26482 (Series II), MIL-DTL-5015 (MS3400), MIL-DTL-83723 (Series I & III).

### PLUG PROTECTION CAP 10-329393-XX\*



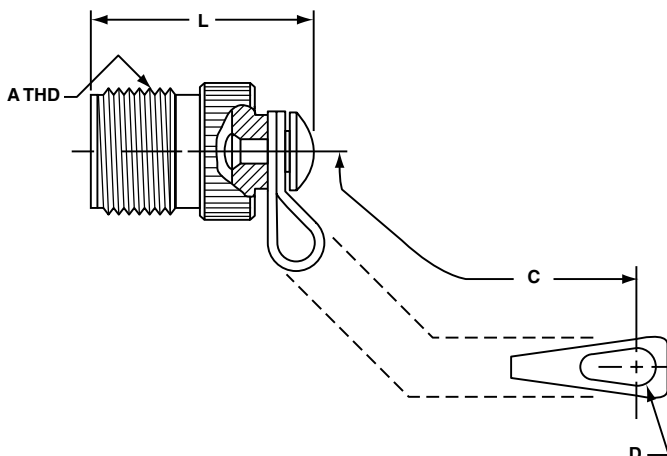
| Assembly Number | A Thread Class 2A | B Dia. +.010 - .000 | C Approx. | L Max. |
|-----------------|-------------------|---------------------|-----------|--------|
| 10-329393-10    | .625-24UNEF       | .641                | 3.5       | 1.312  |
| 10-329393-11    | .625-24UNEF       | .641                | 3.5       | 1.312  |
| 10-329393-12    | .750-20UNEF       | .766                | 3.5       | 1.500  |
| 10-329393-14    | .875-20UNEF       | .891                | 3.5       | 1.500  |
| 10-329393-16    | 1.000-20UNEF      | 1.016               | 3.5       | 1.500  |
| 10-329393-18    | 1.125-18UNEF      | 1.141               | 3.5       | 1.500  |
| 10-329393-20    | 1.250-18UNEF      | 1.266               | 4.0       | 1.500  |
| 10-329393-22    | 1.375-18UNEF      | 1.391               | 4.0       | 1.500  |
| 10-329393-24    | 1.500-18UNEF      | 1.641               | 4.5       | 1.500  |
| 10-329393-28    | 1.750-18UNS       | 1.891               | 4.5       | 1.500  |
| 10-329393-32    | 2.000-18UNS       | 2.078               | 5.0       | 1.500  |
| 10-329393-36    | 2.250-16UN        | 2.328               | 5.0       | 1.500  |
| 10-329393-40    | 2.500-16UN        | 2.641               | 5.0       | 1.500  |
| 10-329393-44    | 2.750-16UN        | 2.891               | 6.0       | 1.500  |

### PLUG PROTECTION CAP 10-229125-XX\*



| Assembly Number | A Thread Class 2A | C Approx. | D Ref. | L Max. |
|-----------------|-------------------|-----------|--------|--------|
| 10-229125-10    | .625-24NEF        | 3.0       | .140   | 1.233  |
| 10-229125-12    | .750-20UNEF       | 3.5       | .140   | 1.421  |
| 10-229125-14    | .875-20UNEF       | 3.5       | .140   | 1.421  |
| 10-229125-16    | 1.000-20UNEF      | 3.5       | .140   | 1.421  |
| 10-229125-18    | 1.125-18NEF       | 3.5       | .140   | 1.421  |
| 10-229125-20    | 1.250-18NEF       | 3.5       | .193   | 1.421  |
| 10-229125-22    | 1.375-18NEF       | 3.5       | .193   | 1.421  |
| 10-229125-24    | 1.500-18NEF       | 4.5       | .193   | 1.421  |
| 10-229125-28    | 1.750-18NS        | 4.5       | .193   | 1.421  |
| 10-229125-32    | 2.000-18NS        | 5.0       | .193   | 1.421  |
| 10-229125-36    | 2.250-16UN        | 5.0       | .193   | 1.421  |
| 10-229125-40    | 2.500-16UN        | 5.0       | .193   | 1.421  |

### PLUG PROTECTION CAP MS25042-XXDA\*



| MS Number    | A Thread Class 2A | B Dia. +.010 - .005 | C Approx. | L Max. |
|--------------|-------------------|---------------------|-----------|--------|
| MS25042-8DA  | .500-28UNEF       | .156                | 4.00      | .969   |
| MS25042-10DA | .625-24UNEF       | .156                | 4.00      | .969   |
| MS25042-12DA | .750-20UNEF       | .156                | 4.50      | 1.156  |
| MS25042-14DA | .875-20UNEF       | .156                | 4.50      | 1.156  |
| MS25042-16DA | 1.000-20UNEF      | .156                | 4.50      | 1.156  |
| MS25042-18DA | 1.125-18UNEF      | .156                | 4.50      | 1.156  |
| MS25042-20DA | 1.250-18UNEF      | .187                | 5.00      | 1.156  |
| MS25042-22DA | 1.375-18UNEF      | .187                | 5.00      | 1.156  |
| MS25042-24DA | 1.500-18UNEF      | .187                | 5.50      | 1.156  |
| MS25042-28DA | 1.750-18UNS       | .187                | 7.75      | 1.156  |
| MS25042-32DA | 2.000-18UNS       | .218                | 7.75      | 1.156  |
| MS25042-36DA | 2.250-16UN        | .218                | 7.75      | 1.156  |
| MS25042-40DA | 2.500-16UN        | .218                | 7.75      | 1.156  |

\* Protective caps are illustrated with sash chains and are available with beaded chains or without chains. Optional terminations are also available. Consult Amphenol Aerospace when ordering.

38999

III  
HD  
Dualok  
II  
I  
SJT  
Accessories  
Aquacon  
Herm/Seal  
PCB

HIGH SPEED  
Fiber Optics  
Contacts  
Connectors  
Cables

EMI Filter  
Transient  
26482  
Matrix 2  
83723 III  
Matrix | Pyle  
26500  
Pyle

5015  
Crmp Rear  
Release  
Matrix  
22992  
Class 1  
Back-  
Shells  
Options  
Others

38999

- III
- HD
- Dualok
- II
- I
- SJT
- Accessories
- Aquacon
- Herm/Seal
- PCB

HIGH SPEED

- Fiber Optics
- Contacts
- Connectors
- Cables

EMI Filter Transient

26482 Matrix 2

83723 III Matrix | Pyle

26500 Pyle

5015 Crimp Rear Release Matrix

22992 Class L

Back-Shells

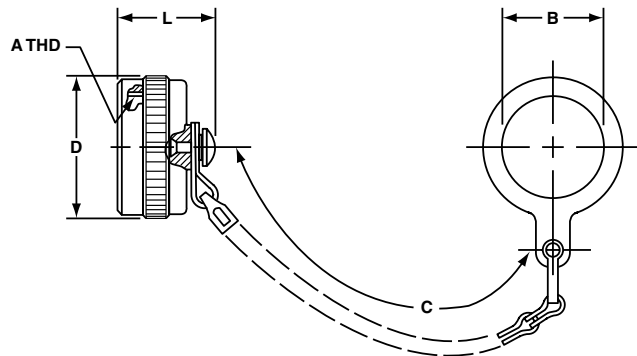
Options Others

| Assembly Number | A Thread Class 2B | B Dia. Min. | C Approx. | D Dia. Max. | L Max. |
|-----------------|-------------------|-------------|-----------|-------------|--------|
| 10-329394-10    | .625-24UNEF       | .641        | 3.5       | .875        | .793   |
| 10-329394-12    | .750-20UNEF       | .766        | 3.5       | 1.000       | .793   |
| 10-329394-14    | .875-20UNEF       | .891        | 3.5       | 1.125       | .793   |
| 10-329394-16    | 1.000-20UNEF      | 1.016       | 3.5       | 1.250       | .793   |
| 10-329394-18    | 1.125-18UNEF      | 1.141       | 3.5       | 1.375       | 1.024  |
| 10-329394-20    | 1.250-18UNEF      | 1.266       | 4.0       | 1.500       | 1.024  |
| 10-329394-22    | 1.375-18UNEF      | 1.391       | 4.0       | 1.625       | 1.024  |
| 10-329394-24    | 1.500-18UNEF      | 1.641       | 4.5       | 1.750       | 1.024  |
| 10-329394-28    | 1.750-18UNS       | 1.891       | 4.5       | 2.000       | 1.024  |
| 10-329394-32    | 2.000-18UNS       | 2.078       | 5.0       | 2.250       | 1.024  |
| 10-329394-36    | 2.250-16UN        | 2.328       | 5.0       | 2.500       | 1.024  |
| 10-329394-40    | 2.500-16UN        | 2.641       | 5.0       | 2.656       | 1.024  |
| 10-329394-44    | 2.750-16UN        | 2.891       | 6.0       | 2.938       | 1.024  |

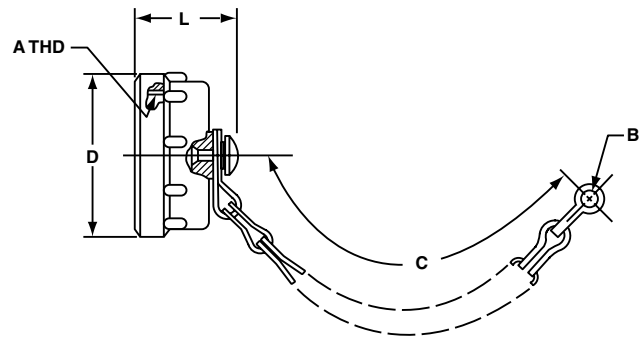
| Assembly Number | A Thread Class 2B | B Ref. | C Approx. | D Dia. Max. | L Max. |
|-----------------|-------------------|--------|-----------|-------------|--------|
| 10-422905-103   | .625-24UNEF       | .140   | 3.0       | .875        | .812   |
| 10-422905-123   | .750-20UNEF       | .140   | 3.5       | 1.000       | .812   |
| 10-422905-143   | .875-20UNEF       | .140   | 3.5       | 1.125       | .812   |
| 10-422905-163   | 1.000-20UNEF      | .140   | 3.5       | 1.250       | .812   |
| 10-422905-183   | 1.125-18UNEF      | .193   | 3.5       | 1.375       | 1.031  |
| 10-422905-203   | 1.250-18UNEF      | .193   | 4.0       | 1.500       | 1.031  |
| 10-422905-223   | 1.375-18UNEF      | .193   | 4.0       | 1.625       | 1.031  |
| 10-422905-243   | 1.500-18UNEF      | .193   | 4.5       | 1.750       | 1.031  |
| 10-422905-283   | 1.750-18UNS       | .193   | 4.5       | 2.000       | 1.031  |
| 10-422905-323   | 2.000-18UNS       | .193   | 5.0       | 2.250       | 1.031  |
| 10-422905-363   | 2.250-16UN        | .193   | 5.0       | 2.500       | 1.031  |
| 10-422905-403   | 2.500-16UN        | .193   | 5.0       | 2.656       | 1.031  |

| MS Number    | A Thread Class 2B | B +.010 - .005 | C Approx. | D Dia. Max. | L Max. |
|--------------|-------------------|----------------|-----------|-------------|--------|
| MS25043-8DA  | .500-28UNEF       | .140           | 4.00      | .688        | .750   |
| MS25043-10DA | .625-24UNEF       | .140           | 4.00      | .815        | .750   |
| MS25043-12DA | .750-20UNEF       | .140           | 4.50      | 1.000       | .750   |
| MS25043-14DA | .875-20UNEF       | .140           | 4.50      | 1.125       | .750   |
| MS25043-16DA | 1.000-20UNEF      | .140           | 4.50      | 1.188       | .750   |
| MS25043-18DA | 1.125-18UNEF      | .140           | 4.50      | 1.344       | .750   |
| MS25043-20DA | 1.250-18UNEF      | .140           | 5.00      | 1.469       | .750   |
| MS25043-22DA | 1.375-18UNEF      | .140           | 5.00      | 1.594       | .750   |
| MS25043-24DA | 1.500-18UNEF      | .171           | 5.50      | 1.719       | .750   |
| MS25043-28DA | 1.750-18UNS       | .171           | 7.75      | 1.969       | .812   |
| MS25043-32DA | 2.000-18UNS       | .187           | 7.75      | 2.219       | .812   |
| MS25043-36DA | 2.250-16UN        | .187           | 7.75      | 2.469       | .812   |
| MS25043-40DA | 2.500-16UN        | .187           | 7.75      | 2.719       | .812   |

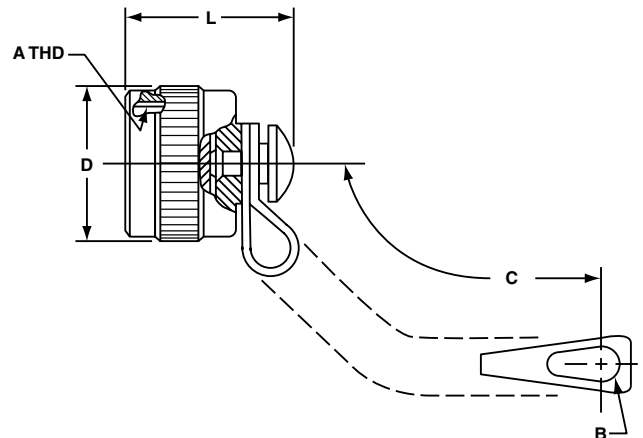
### RECEPTACLE PROTECTION CAP 10-329394-XX\*



### RECEPTACLE PROTECTION CAP 10-422905-XXX\*



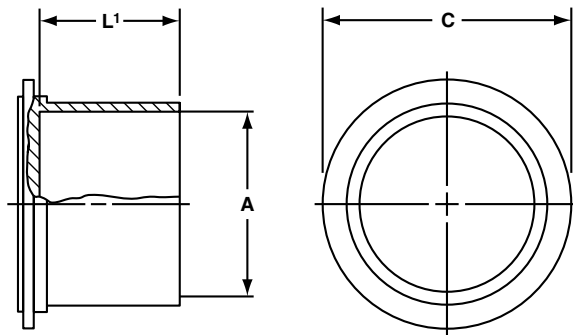
### RECEPTACLE PROTECTION CAP MS25043-XXDA\*



\* Protective caps are illustrated with sash chains and are available with beaded chains or without chains. Optional terminations are also available. Consult Amphenol Aerospace when ordering.

### 10-70500 RECEPTACLE DUST CAP

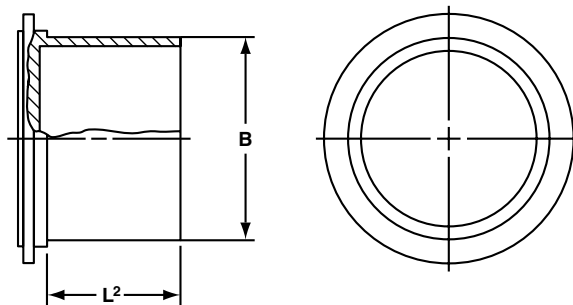
for external threads



| MS Shell Size | Order Number | A Dia. Nominal Thread | C Dia. ±.031 | L <sup>1</sup> ±.062 |
|---------------|--------------|-----------------------|--------------|----------------------|
| 8S            | 10-70500-8   | .500                  | .750         | .500                 |
| 10S           | 10-70500-10  | .625                  | .875         | .500                 |
| 10SL          | 10-70500-10  | .625                  | .875         | .500                 |
| 12S           | 10-70500-12  | .750                  | 1.000        | .500                 |
| 12            | 10-70500-12  | .750                  | 1.000        | .500                 |
| 14S           | 10-70500-14  | .875                  | 1.125        | .500                 |
| 14            | 10-70500-14  | .875                  | 1.125        | .500                 |
| 16S           | 10-70500-16  | 1.000                 | 1.250        | .500                 |
| 16            | 10-70500-16  | 1.000                 | 1.250        | .500                 |
| 18            | 10-70500-18  | 1.125                 | 1.375        | .562                 |
| 20            | 10-70500-20  | 1.250                 | 1.500        | .562                 |
| 22            | 10-70500-22  | 1.375                 | 1.625        | .562                 |
| 24            | 10-70500-24  | 1.500                 | 1.750        | .562                 |
| 28            | 10-70500-28  | 1.750                 | 1.938        | .562                 |
| 32            | 10-70500-32  | 2.000                 | 2.250        | .562                 |
| 36            | 10-70500-36  | 2.250                 | 2.500        | .625                 |
| 40            | 10-70500-40  | 2.500                 | 2.750        | .625                 |

### 10-70506 PLUG DUST CAP

for internal threads



| MS Shell Size | Order Number | B Dia. Min. | L <sup>2</sup> ±.125 |
|---------------|--------------|-------------|----------------------|
| 8S            | 10-70506-8S  | .469        | .625                 |
| 10S           | 10-70506-10S | .587        | .625                 |
| 10SL          | 10-70506-10S | .587        | .625                 |
| 12S           | 10-70506-12  | .704        | .625                 |
| 12            | 10-70506-12  | .704        | .625                 |
| 14S           | 10-70506-14  | .828        | .625                 |
| 14            | 10-70506-14  | .828        | .625                 |
| 16S           | 10-70506-16  | .953        | .625                 |
| 16            | 10-70506-16  | .953        | .625                 |
| 18            | 10-70506-18  | 1.072       | .625                 |
| 20            | 10-70506-20  | 1.197       | .625                 |
| 22            | 10-70506-22  | 1.322       | .625                 |
| 24            | 10-70506-24  | 1.447       | .625                 |
| 28            | 10-70506-28  | 1.697       | .625                 |
| 32            | 10-70506-32  | 1.947       | .625                 |
| 36            | 10-70506-36  | 2.190       | .625                 |
| 40            | 10-70506-40  | 2.440       | .625                 |

38999

III  
HD  
Dualok  
II  
I  
SJT  
Accessories  
Aquacon  
Herm/Seal  
PCB

HIGH SPEED  
Fiber Optics  
Contacts  
Connectors  
Cables

EMI Filter  
Transient

26482  
Matrix 2  
83723 III  
Matrix | Pyle

26500  
Pyle

5015  
Crimp Rear  
Release  
Matrix

22992  
Class 1

Back-  
Shells

Options  
Others

# Mouser Electronics

Authorized Distributor

Click to View Pricing, Inventory, Delivery & Lifecycle Information:

## Amphenol:

[M39029/29-212](#) [M39029/29-213](#) [M39029/29-214](#) [M39029/29-215](#) [M39029/29-216](#) [M39029/30-217](#) [M39029/30-218](#)  
[M39029/30-219](#) [M39029/30-220](#) [M39029/30-222](#) [M5100-033-0008](#) [MS25042-18DA](#) [MS25043-14DA](#) [MS25043-18D](#)  
[MS25042-8DA](#) [MS25042-24D](#) [MS25042-18D](#) [MS25042-28D](#) [MS25042-32DA](#) [MS25042-10DA](#) [MS25043-36D](#)  
[MS25043-28D](#) [MS25042-16DA](#) [MS25043-36DA](#) [MS25043-20D](#) [MS25043-10DA](#) [MS25042-20DA](#) [MS25042-22D](#)  
[MS25043-24DA](#) [MS25043-16D](#) [MS25043-14D](#) [MS2504322DA](#) [MS25043-12D](#) [MS25043-10D](#) [MS25042-16D](#)  
[MS25042-14D](#) [MS25042-10D](#) [MS25042-32D](#) [MS25043-32D](#) [MS25042-20D](#) [MS25043-22DA](#) [MS25042-12DA](#)  
[MS25043-44D](#) [MS25043-40DA](#) [MS25043-8DA](#) [10-422905-223](#) [MS25042-36DA](#) [MS25042-40D](#) [10-422905-103](#) [10-422905-203](#)